

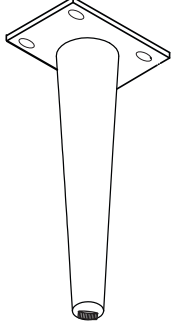
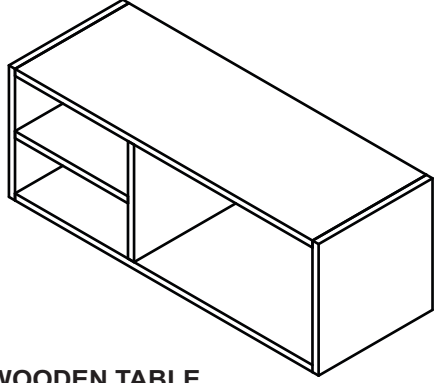
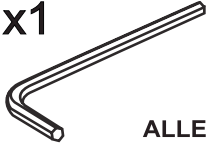
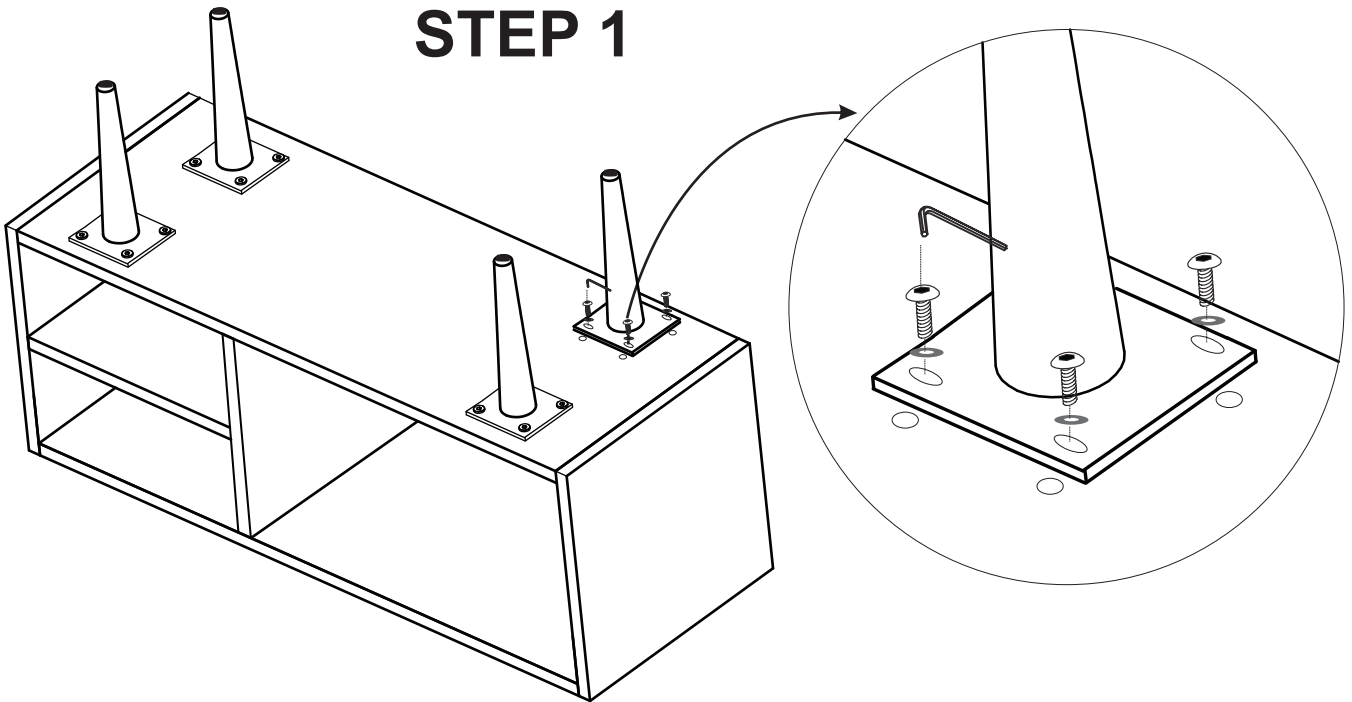


ASSEMBLY INSTRUCTIONS

LOCKLEAR CONSOLE TABLE WALNUT

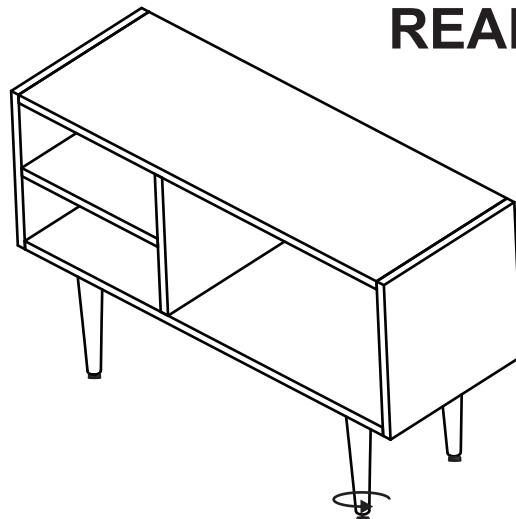
16+1 EXTRA  SCREWS	16+1 EXTRA  WASHERS	X4  WOODEN LEGS	X1  WOODEN TABLE
X1  ALLEN KEY			

STEP 1



Flip the table ensure this is kept on protective surface, Secure all 4 legs with table base as shown with the help of Allen screws & washers.

READY TO USE



Flip the table and adjust the Levellers if needed to balance on floor.