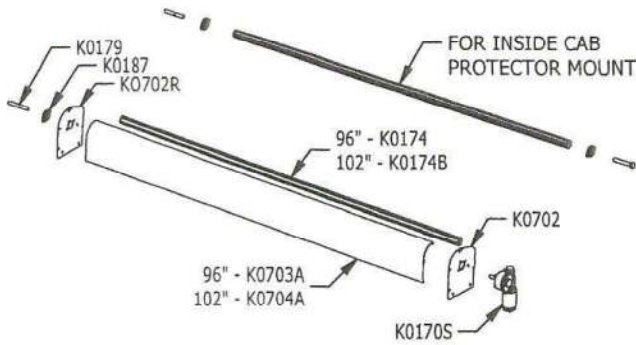


FLIP TARP ASSEMBLY FOR DUMP BODIES WITH SIDE MOUNT SPRING ASSEMBLY MANUAL & ELECTRIC

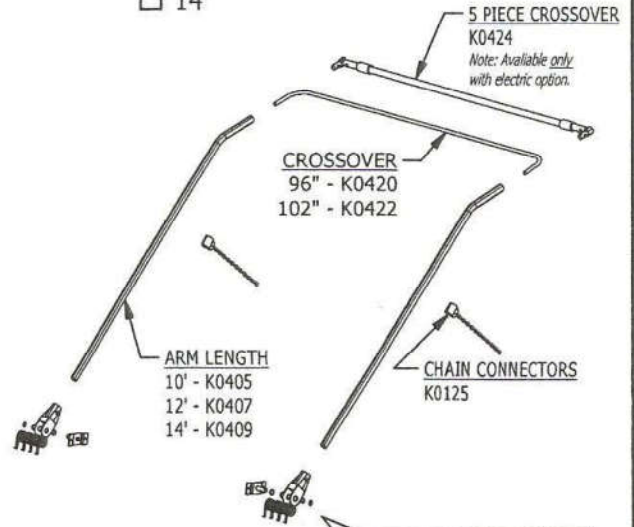
FACE SHIELD & END PLATES ELECTRIC ASSEMBLY

- 96"
 - 102"
- OPTIONAL FOR TOP MOUNT APPLICATION**

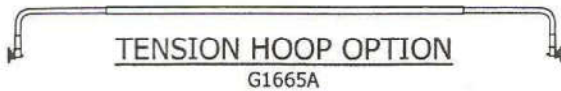
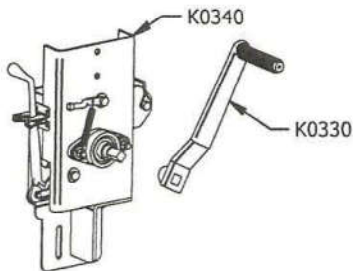
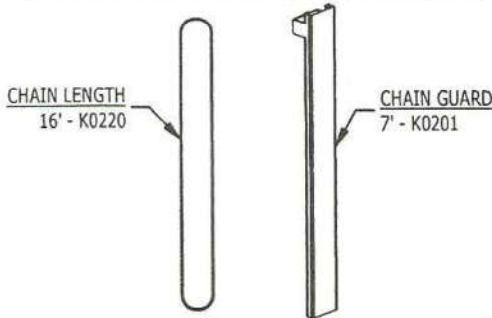


ARM AND CROSSOVER ASSEMBLY

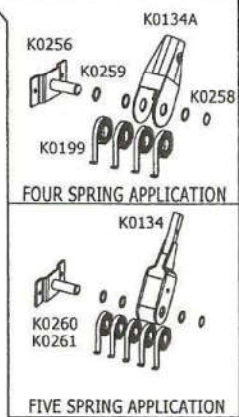
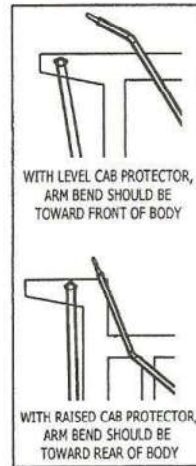
- | ARM | CROSSOVER |
|------------------------------|-------------------------------|
| <input type="checkbox"/> 10' | <input type="checkbox"/> 96" |
| <input type="checkbox"/> 12' | <input type="checkbox"/> 102" |
| <input type="checkbox"/> 14' | |



CHAIN AND GEARBOX ASSEMBLY



OPTIONAL 4-SPRING COVER K0134AC



OPTIONS

<p>PIVOT PIN</p> <ul style="list-style-type: none"> <input type="checkbox"/> K0526 - FOUR SPRING APPLICATION <input type="checkbox"/> K0527 - FIVE SPRING APPLICATION 	<p>FIVE PIECE CROSSOVER ELECTRIC OPTION ONLY</p> <ul style="list-style-type: none"> <input type="checkbox"/> K0424 	<p>4' CHAIN CONNECTORS</p> <ul style="list-style-type: none"> <input type="checkbox"/> K0125BD 	<p>WIRELESS REMOTE</p> <ul style="list-style-type: none"> <input type="checkbox"/> MPW1000
<p>5-SPRING SIDE MOUNT ASSEMBLY</p> <ul style="list-style-type: none"> <input type="checkbox"/> K0260 - DRIVER <input type="checkbox"/> K0261 - PASSENGER 	<p>TENSION HOOP</p> <ul style="list-style-type: none"> <input type="checkbox"/> G1665A 	<p>4 SPRING COVER</p> <ul style="list-style-type: none"> <input type="checkbox"/> K0134AC 	<p>BENT ARMS:</p>

PART #	KIT DESCRIPTION	PRICE	PART #	KIT DESCRIPTION	PRICE