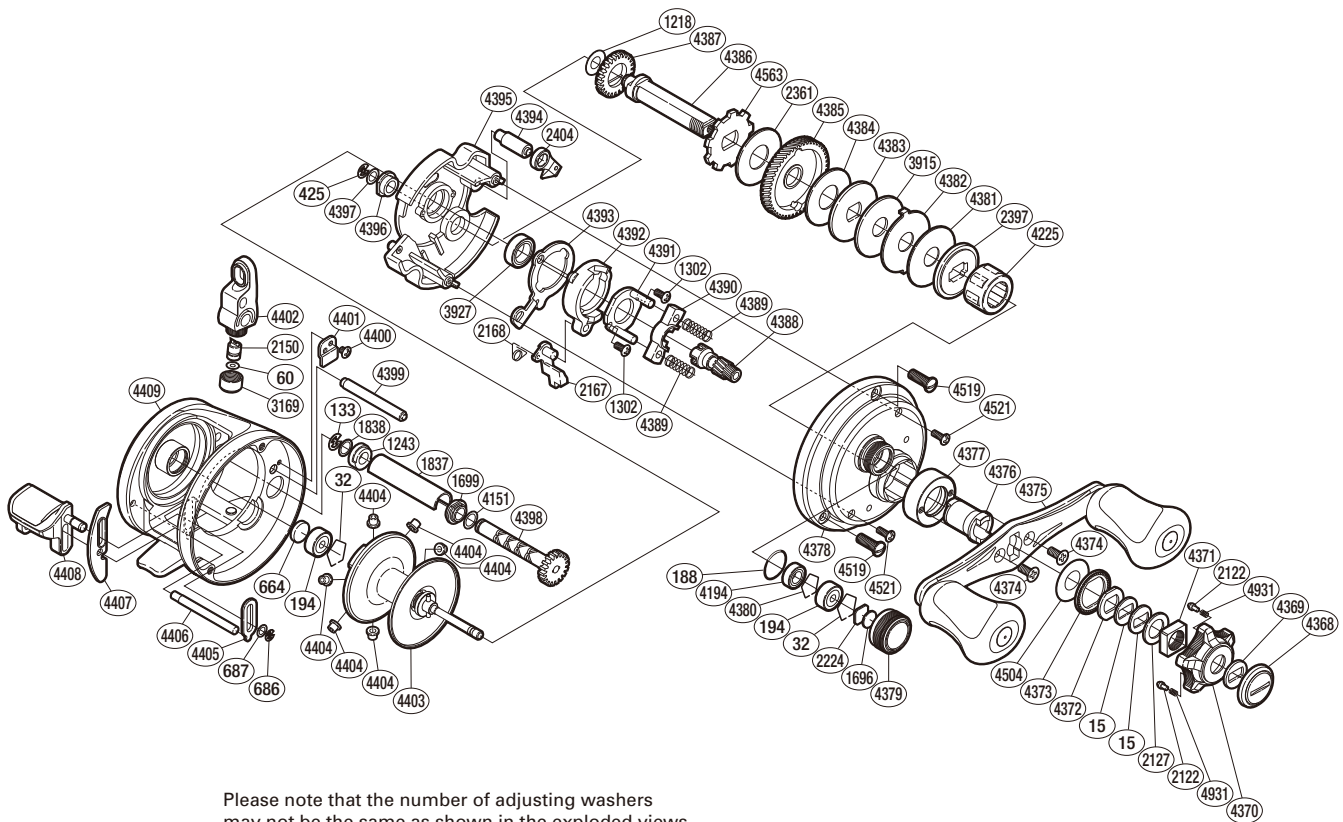


# SHIMANO

## CALCUTTA SA-RB

## CT-200D



Please note that the number of adjusting washers may not be the same as shown in the exploded views. (Adjustment will vary with each individual product.)

(1RH318200U)

Part No.	Description	Part No.	Description	Part No.	Description
BNT0015	Drag Spring Washer	BNT3915	Drag Washer	BNT4390	Yoke
BNT0032	Bearing Retainer	BNT3927	Ball Bearing	BNT4391	Clutch Cam Retainer
BNT0060	Spacer	BNT4151	Washer	BNT4392	Clutch Cam
BNT0133	E Lock	BNT4194	Ball Bearing	BNT4393	Clutch Plate
BNT0188	O Ring	BNT4225	Roller Clutch Bearing	BNT4394	Anti-Reverse Pawl Pin
BNT0194	Ball Bearing	BNT4368	Handle Bolt	BNT4395	Set Plate
BNT0425	E Lock	BNT4369	Handle Lock Spring	BNT4396	Drive Shaft Bushing
BNT0664	Spacer B	BNT4370	Star Drag	BNT4397	Washer
BNT0686	E Lock	BNT4371	Star Drag Nut	BNT4398	Worm Shaft
BNT0687	Spacer	BNT4372	Drive Shaft Shield	BNT4399	Level Wind Guide
BNT1218	Spacer	BNT4373	Star Drag Click Plate	BNT4400	Screw
BNT1243	Worm Bushing B	BNT4374	Screw	BNT4401	Worm Bushing Retainer
BNT1302	Screw	BNT4375	Handle Assembly	BNT4402	Line Guide
BNT1696	Cast Control Spacer	BNT4376	Roller Clutch Inner Tube	BNT4403	Spool Assembly
BNT1699	Worm Bushing A	BNT4377	Handle Plate	BNT4404	Brake Collar
BNT1837	Level Wind Guard	BNT4378	Right Side Plate	BNT4405	Clutch Bar Guide A
BNT1838	Spacer	BNT4379	Cast Control Cap	BNT4406	Clutch Bar Support
BNT2122	Click Pin	BNT4380	Retainer	BNT4407	Clutch Bar Guide B
BNT2127	Star Drag Spacer	BNT4381	Drag Washer	BNT4408	Quick-Fire II Clutch Bar
BNT2150	Line Guide Pawl	BNT4382	Eared Washer	BNT4409	One-Piece Frame
BNT2167	Clutch Pawl	BNT4383	Key Washer	BNT4504	Washer
BNT2168	Clutch Pawl Spring	BNT4384	Drag Washer	BNT4519	Screw
BNT2224	Spool Tension Spacer	BNT4385	Drive Gear	BNT4521	Screw
BNT2361	Drag Washer	BNT4386	Drive Shaft	BNT4563	Anti-Reverse Ratchet
BNT2397	Key Washer	BNT4387	Idle Gear	BNT4931	Click Spring
BNT2404	Anti-Reverse Pawl	BNT4388	Pinion Gear		
BNT3169	Pawl Cap	BNT4389	Yoke Spring		