

AXOR Citterio
Thermostatic Trim HighFlow with Lever Handle
Finishes : **chrome** Part no. : **39711001**



Description

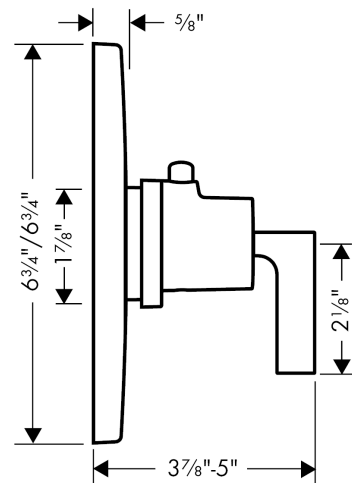
Features

- Flow: 13.0 GPM (49.2 L/Min)
- Thermostatic cartridge
- Anti-scald 100° safety stop

Product image



Scale drawing

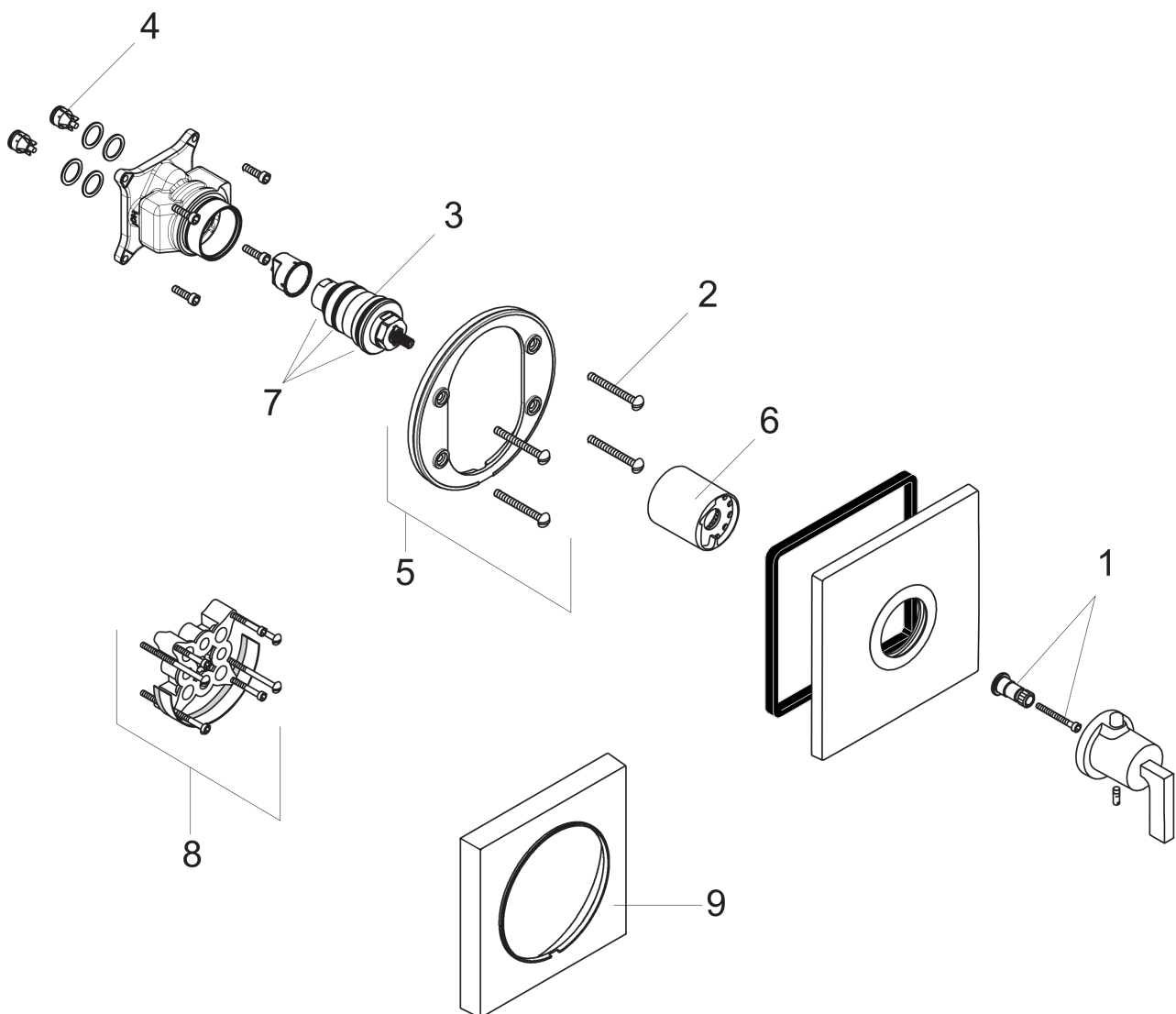


AXOR Citterio
Thermostatic Trim HighFlow with Lever Handle
Finishes : **chrome** Part no. : **39711001**



Exploded drawing

Year of production: >06/09



AXOR Citterio
Thermostatic Trim HighFlow with Lever Handle
 Finishes : **chrome** Part no. : **39711001**



Spare parts list

Year of production: >06/09

Pos.	Description	Part no.	PC	PU
1	adapter for handle	96435000	0	1
2	set of fixing screws	96454000	0	1
3	thermostat cartridge	96633000	0	1
4	set of non return valves DW 15	97350000	0	1
5	holder for escutcheon	98793000	0	1
6	sleeve	97439000	0	1
7	sealing set	96636000	0	1
8	extension 25 mm	13595000	0	1
9	extension 22 mm	97407000	0	1
a	handle for thermostat	39391001	0	1
b	escutcheon 170 / 170 mm	96749000	0	1