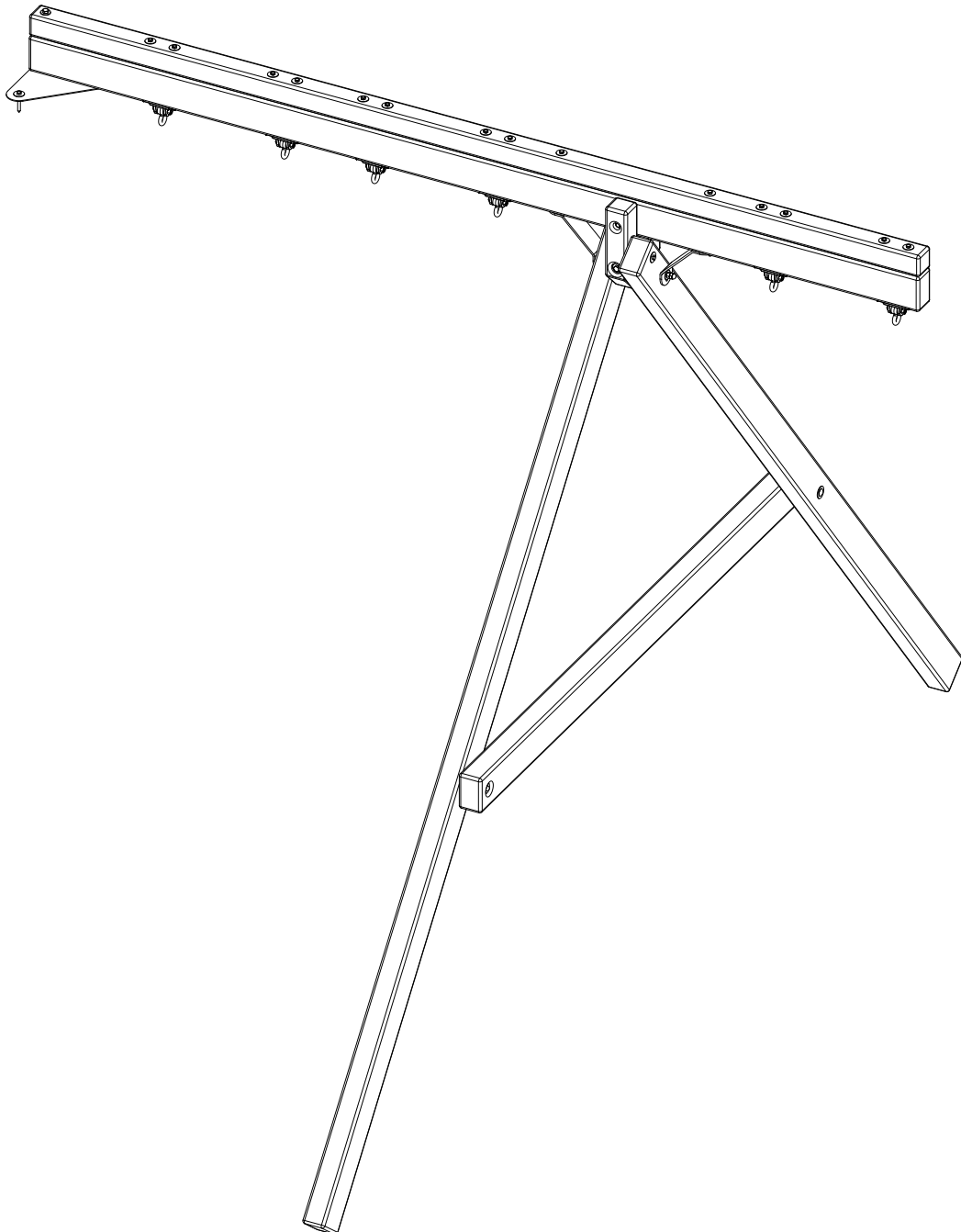


# WOODPLAY<sup>®</sup>

## Playsets

3 POSITION HIGH  
DECK SWING BEAM



PG-MA-0028-02

**SWING BEAM HARDWARE**

ITEM #	PART #	DESCRIPTION	QTY.
LS3	PG-HW-L011	3/8" X 3" Lag Screw	2
LS4	PG-HW-L013	3/8" X 4" Hex Lag Screw	1
LS6	PG-HW-L014	3/8" X 4.5" Hex Lag Screw	2
LS5	PG-HW-L015	3/8" X 5.5" Hex Lag Screw	2
MB6	PG-HW-B018	1/2-13 X 12" Hex Bolt	2
MB5	PG-HW-B017	1/2-13 X 10" Hex Bolt	2
ACRN1	PG-HW-N005	1/2-13 Acorn Nut	3
SN2	PG-HW-N004	1/2-13 Nylon Locknut	2
SN1	PG-HW-N001	3/8 Nylon Locknut	2
FW4	PG-HW-W005	1/2" Flat Washer	6
FW2	PG-HW-W004	3/8" Flat Washer	11
LW1	PG-HW-W009	1/2" Lock Washer	2
SN3	PG-HW-N009	1/2-13 Standard Nut	2
CB1	PG-HW-B015	1/2-13 X 6.5" Carriage Bolt	2
FW6	PG-HW-W010	5/8" Flat Washer	2
	PG-MA-0028	7' HD Swingbeam Instructions	1
MB3	PG-HW-B004	1/2-13 X 10" Hex Bolt	1
BR	PG-HW-M018	Angle Bracket For Swing Beam	2
PL	PG-HW-M017	14 1/2" Triangle Swing Beam Plate	1

**SWING BEAM HANGER HARDWARE**

ITEM #	PART #	DESCRIPTION	QTY.
MB2	PG-HW-B017	3/8" X 10" MACHINE BOLT	12
FW3	PG-HW-W011	3/8" X 1 1/2" FENDER WASHER	12
FW2	PG-HW-W004	3/8" X 1" STD WASHER	12
SN1	PG-HW-N001	3/8" LOC NUT	12
CLP	PG-HW-M008	SPRING CLIP	6

# STANDARD PARTS LIST

## HEAD BEAM 138" LONG

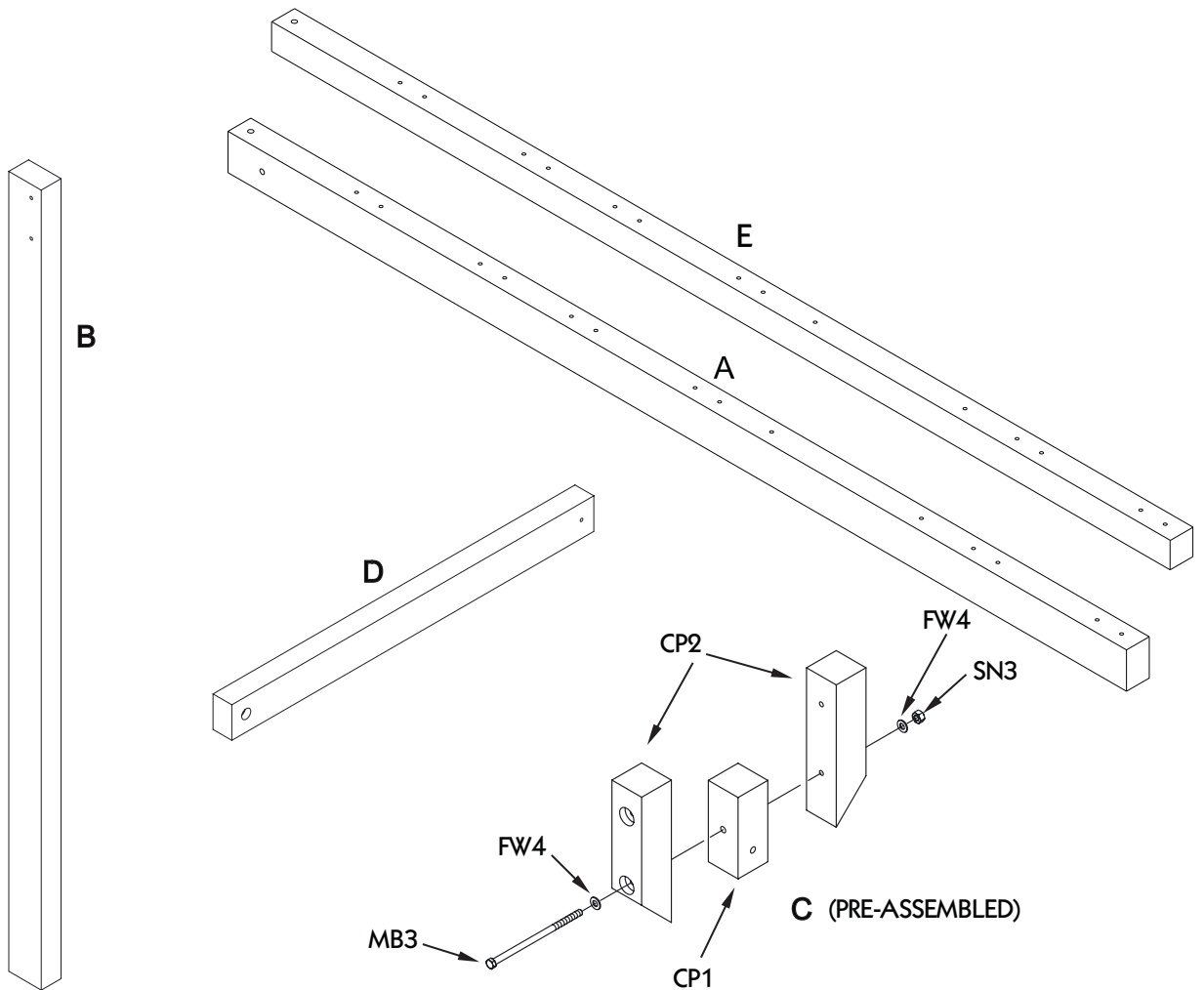
ITEM #	PART #	DESCRIPTION	QTY.
A	PG-4X6-138-HB	138" Standard Headbeam	1
E	PGR-4X4-138-HB	138" Header	1

## HEAD BEAM 168" LONG

ITEM #	PART #	DESCRIPTION	QTY.
A	PG-4X6-168-HB	168" Headbeam	1
E	PGR-4X4-168-HB	168" Header	1

## PART C (U JOINT - PRE-ASSEMBLED)

ITEM #	PART #	DESCRIPTION	QTY.
CP1	PG-4X4-008-UJB	8" U-joint Center Space Block	1
CP2	PG-4X4-014-UJB	14 1/4" U-joint Block Outsides	2



# STEP 1: POSITION HEADBEAM & INSTALL HANGERS

1

## PARTS NEEDED:

(1) A (138" or 168" Headbeam)

## HARVARE NEEDED:

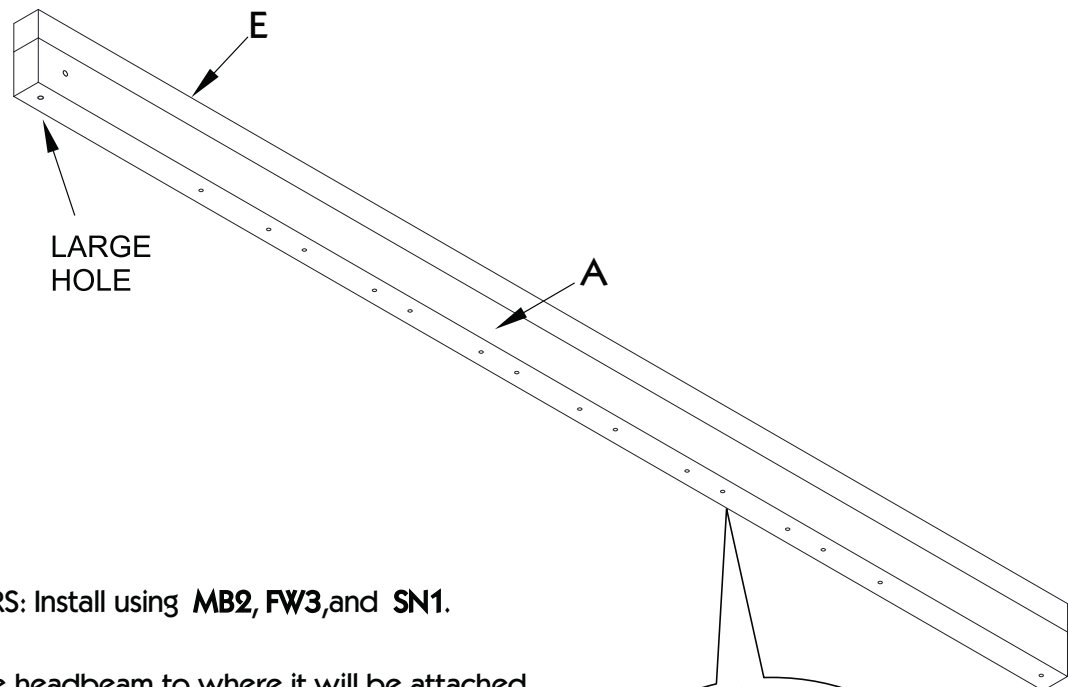
(6) DH (Ductile Swing Hanger only (4) required if 138" Headbeam)

(12) MB2 ( $\frac{3}{8}$ " x 10" Machine Bolt)

(12) FW3 ( $\frac{3}{8}$ " Fender Washer)

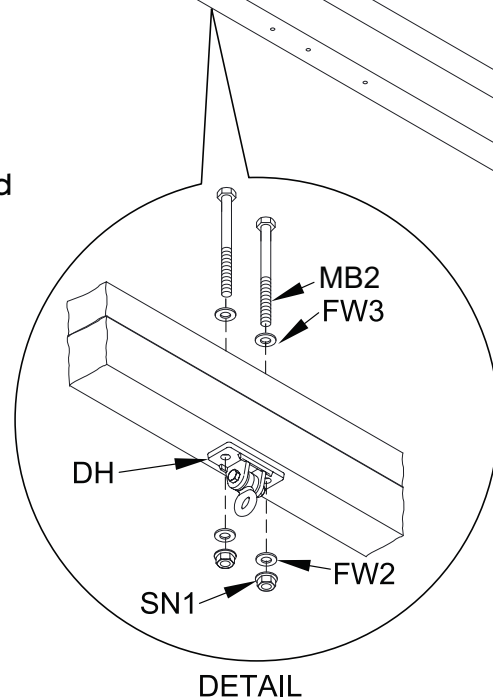
(12) FW2 ( $\frac{3}{8}$ " Standard Washer)

(12) SN1 ( $\frac{3}{8}$ " Loc Nut)



**PART DH HANGERS:** Install using **MB2, FW3,** and **SN1.**  
(See Detail)

Now position the headbeam to where it will be attached to the playset. Place the headbeam on the ground perpendicular to the location on the playset where it attaches. The end of the headbeam with a hole through the side attaches to the playset.



## STEP 2: ASSEMBLE ADJUSTABLE A-FRAME

# 2

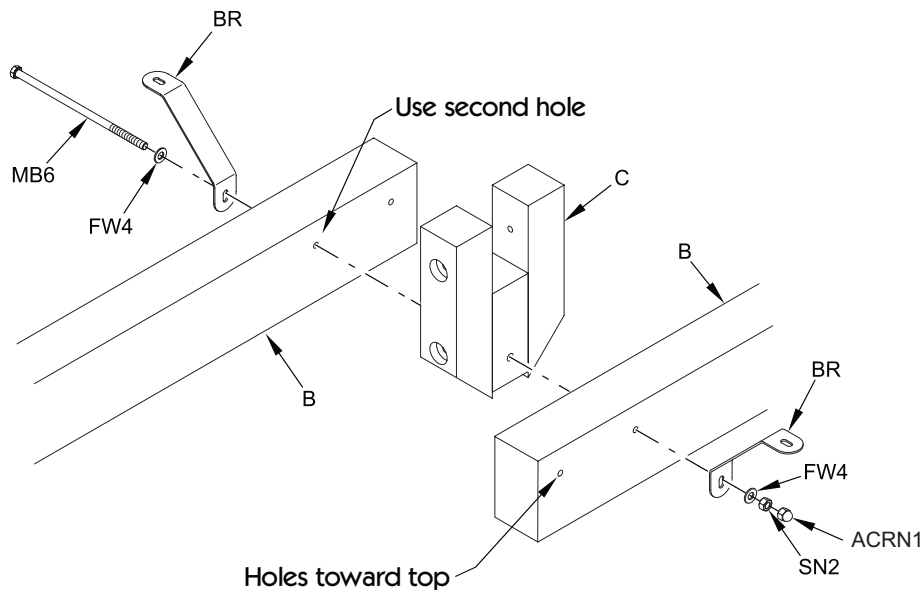
### PARTS NEEDED:

- (2) B (124" A-Frame Leg)
- (1) C (U-Shaped Bracket)

### HARVARE NEEDED:

- (1) MB6 (1/2" x 12" Machine Bolt)
- (2) FW4 (1/2" Standard Washer)
- (1) SN2 (1/2" Loc Nut)
- (2) BR (Steel Support Bracket)
- (1) ACRN (1/2" Acorn Nut)

At the end of headbeam opposite the playset, place a part **B** and a Steel Support Brace (**BR**) on each side of part **C** as shown. Bolt together as shown using **MB6**, **FW4**, **ACRN1** and **SN2**. **DO NOT TIGHTEN COMPLETELY.**



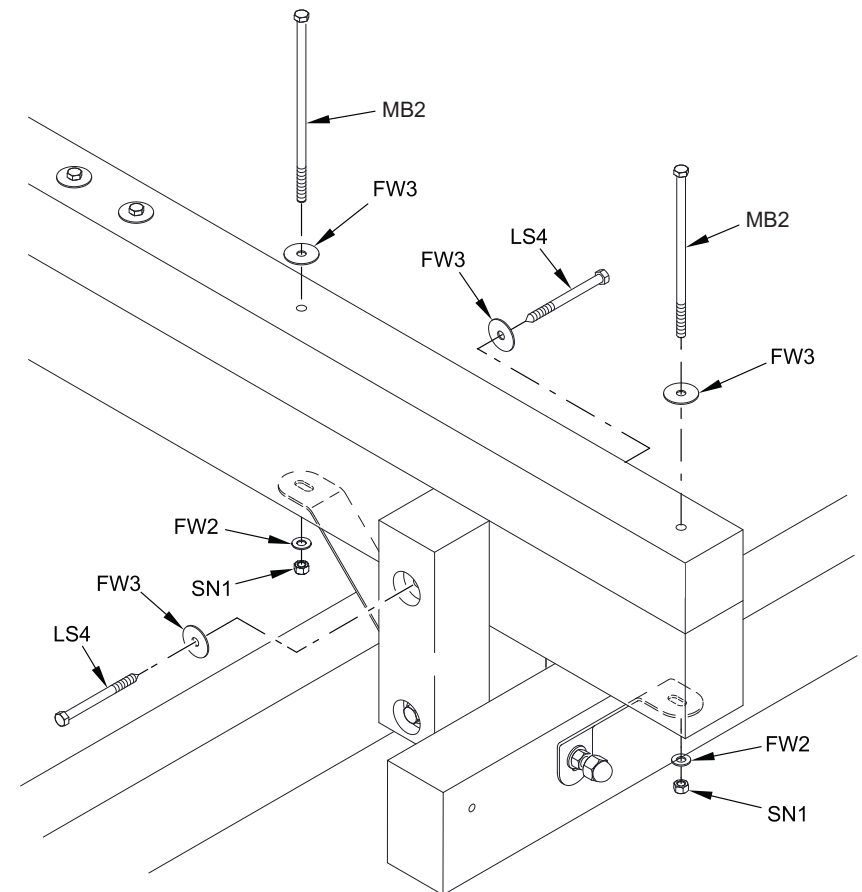
## STEP 3: ATTACH HEADBEAM TO A-FRAME

# 3

### HARVARE NEEDED:

- (2) MB2 (3/8" x 10" Machine Bolt)
- (2) FW2 (3/8" Standard Washer)
- (4) FW3 (3/8" Fender Washer)
- (2) SN1 (3/8" Loc Nut)
- (2) LS4 (4-1/2" Lag Screw)

Place the headbeam into the U-Shaped Bracket part **C** of the Step 2 assembly and line up the steel support braces to the two single holes in the headbeam spaced 23<sup>1</sup>/<sub>4</sub>" apart (49" apart if your set has a mini-deck) and attach using **MB2**, **FW3**, **FW2** and **SN1**. When the headbeam is sitting flat in the U-bracket, attach with the **LS4** and **FW3** into the headbeam from each side. (You may need to prop up the end of the headbeam 6" for it to lay flat in the U-bracket.)



## STEP 4: RAISE HEADBEAM & ATTACH TO PLAYSET

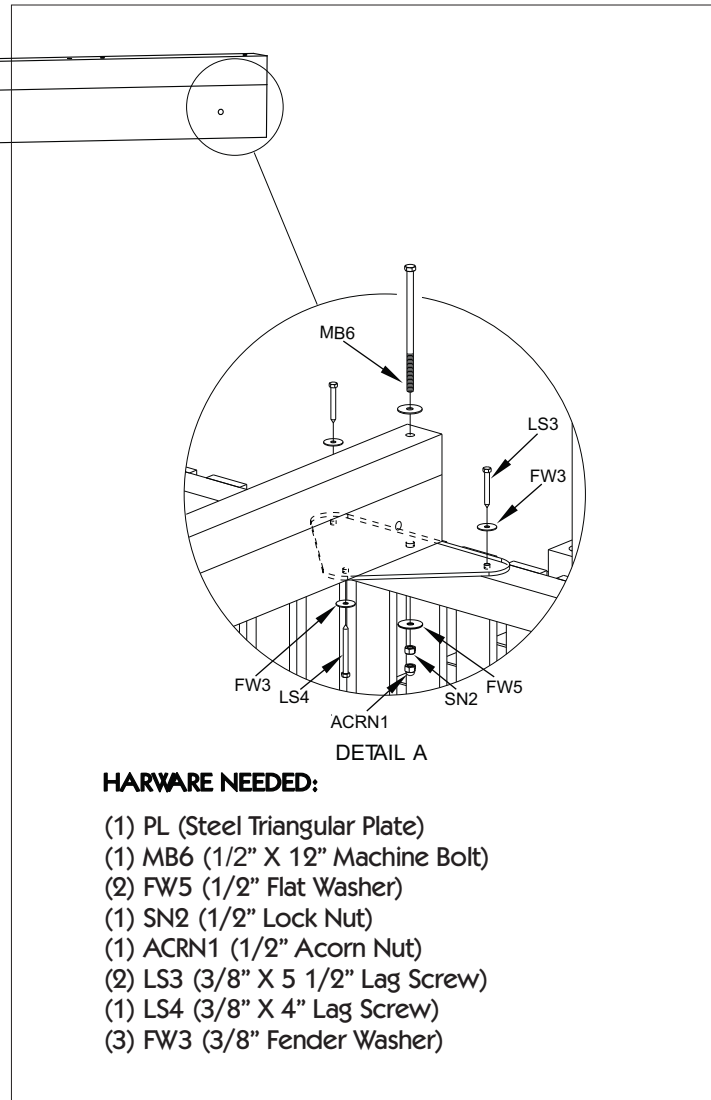
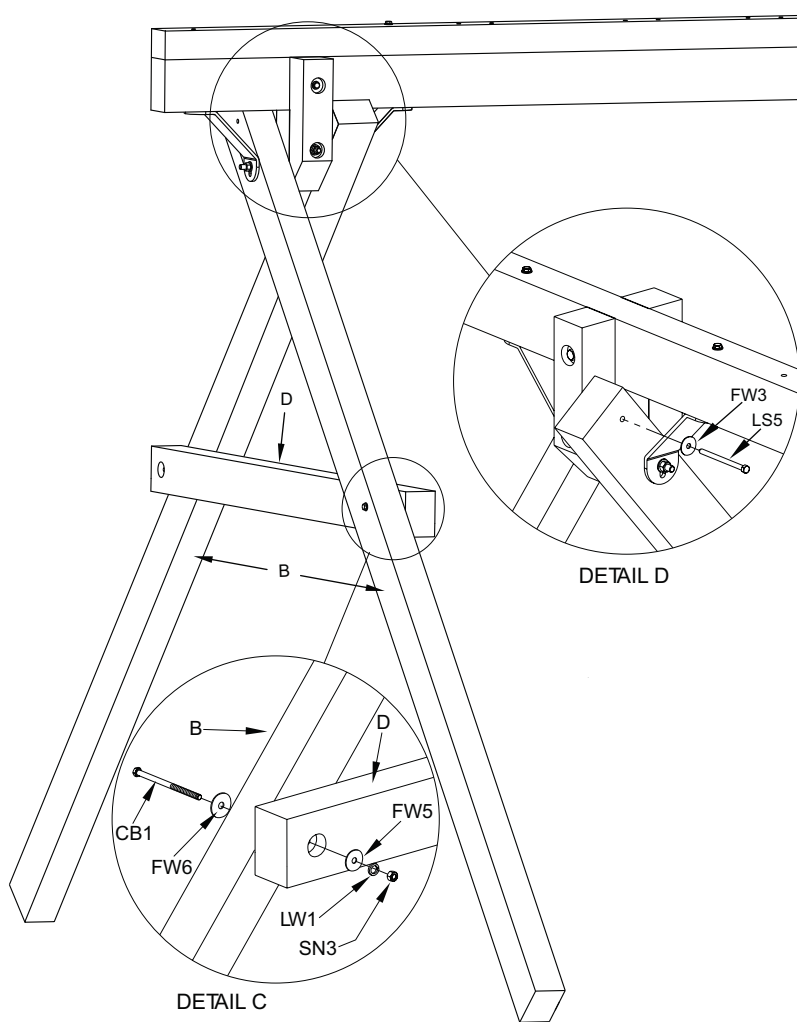
4

**PARTS NEEDED:**

(1) D (96" Cross Brace)

**HARWARE NEEDED:**

- (2) CB1 (1/2" X 6 1/2" Carriage Bolt)
- (2) FW5 (1/2" Flat Washer)
- (2) LW1 (1/2" Lock Washer)
- (2) SN3 (1/2" Hex Nut)
- (2) FW3 (3/8" Fender Washer)
- (2) FW6 (1/2" Large Washer)
- (2) LS5 (3/8" X 5 1/2" Lag Screw)



**HARWARE NEEDED:**

- (1) PL (Steel Triangular Plate)
- (1) MB6 (1/2" X 12" Machine Bolt)
- (2) FW5 (1/2" Flat Washer)
- (1) SN2 (1/2" Lock Nut)
- (1) ACRN1 (1/2" Acorn Nut)
- (2) LS3 (3/8" X 5 1/2" Lag Screw)
- (1) LS4 (3/8" X 4" Lag Screw)
- (3) FW3 (3/8" Fender Washer)

Before raising the headbeam, determine from Detail A or B how the headbeam attaches to the playset and the hardware needed based on the type set you purchased. Place the hardware needed to attach the headbeam up in the playset so it will be handy. Attach Steel Triangular Plate (PL) to the safety rail using LS3 and FW3.

With a helper, carefully lift the headbeam from both ends till it is level with the safety rail of playset while bringing the A-Frame legs together to support the headbeam. Place the headbeam on the safety rail being extremely careful it does not slip off and fall. With one person in the playset and the other steadying the A-Frame bolt the headbeam to the fort as shown. Using MB6, FW5, SN2 and ACRN1.

Place part D into position between parts B as shown. Using a level determine and mark the location of the holes to be made in part B so that the hole in part D is centered on part B. Mark the location on one side and drill a 1/2" hole in part B. Attach part D Using CB1, FW6, FW5, LW1 and SN3. (See Detail C)

With one side of part D attached, check the location of the mark for the other hole and adjust if needed. Drill the hole and finish attaching part D. Once the A-Frame and headbeams are attached and level, tighten all bolts and install the LS5 and FW3 at the top of part B. (See Detail D)

# WOODPLAY®

## 2016 WARRANTY

### 5 Year Warranty

Subject to proper installation and normal residential use, Woodplay warrants, subject to the limitations stated below, to the original retail purchaser, all chain, seats, swing hangers, hardware, metal braces, ropes and accessories to be free from defects in material and workmanship for a period of **five years** from date of purchase. Cracks in non-functional plastic components are not considered defects in materials and workmanship if they do not affect the functionality of the playset. Merchandise covered under this limited **five-year** warranty will, at our option, be repaired or replaced, excluding any freight or labor fees.

### 15 Year warranty

In addition, for **Fifteen years** after the original purchase date of our **Cedar** playsets, Woodplay warrants, to the original retail purchaser, all wooden components against structural failure due to corrosion, wood rot, or insect infestation. Seasonal checks, surface cracks, knotholes and knots, natural characteristics of all wooden play equipment, not resulting in structural failure, are not covered under this warranty. And will not affect the integrity of your playset.

### Limited Lifetime Warranty

In addition, for the **lifetime** of our **Redwood** playsets, Woodplay warrants, to the original retail purchaser, all wooden components against structural failure due to corrosion, wood rot, or insect infestation. Seasonal checks, surface cracks, knotholes and knots, natural characteristics of all wooden play equipment, not resulting in structural failure, are not covered under this warranty. And will not affect the integrity of your playset. Woodplay warrants to the original retail customer that we will replace any swing hangers, swing chains, metal braces, metal rungs or hardware that fail due to rust or breakage (excludes surface rust). This limited lifetime warranty also applies to our exclusive Super Slide, Hurricane Slide and Alpine Slide.

Timber is a natural material which can absorb and release moisture. Although this product is designed to minimize this effect, in certain circumstances some movement or distortion is unavoidable. During dry hot weather timber may shrink and check - this is a normal process of weathering. After the first year of service it is advisable to clean and apply a non-toxic stain or sealant to the wood, safe for children's use.

Components covered under this **5 year, 15 year** and limited **lifetime warranty** will be replaced free of charge excluding freight and labor fees.

Non-residential use of the playset is prohibited and voids the warranty as the playsets are designed for residential use only.

Escalade Sports reserves the right to examine photographs and/or physical evidence of merchandise claimed to be defective, and to recover said merchandise, prior to disposition of warranty claims. Merchandise returned to our factory for examination or recovery must be shipped freight prepaid, unless a Return Authorization Number is issued.

This warranty program does not cover normal wear and tear, color fading, or damages resulting from misuse, abuse, vandalism, alteration, acts of God, or assembly and maintenance contrary to our instructions. Escalade Sports assumes no responsibility for incidental or consequential damages which may arise from the purchase or use of our equipment. Please supervise your children's play activity and maintain your play equipment periodically.

This warranty is expressly in lieu of all other warranties, expressed or implied, including warranties of merchantability or fitness for use. Woodplay does not assume or authorize any person to assume for us, any other liability in connection with the sale of our products.

Special Note: Woodplay reserves the right to make changes in materials, design, and pricing without notice. See your instruction manual for maintenance requirements. Your child's safety is your responsibility; therefore, you should inspect this equipment regularly for wear and safety.

### **For warranty service, contact:**

**Woodplay Playsets  
Escalade Sports  
P.O. Box 889  
Evansville, IN 47706  
1-800-GO-SWING**

**Or E-Mail us at: [playgroundcs@escaladesports.com](mailto:playgroundcs@escaladesports.com)**

**Revised 2015**