
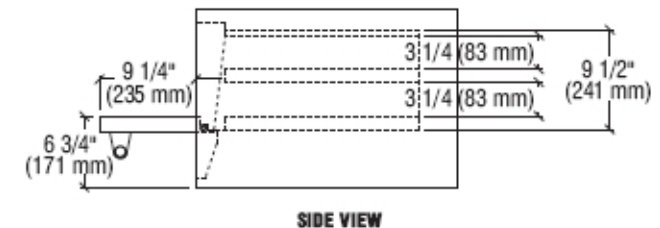
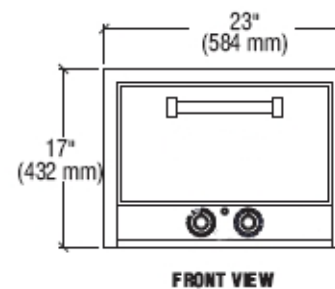
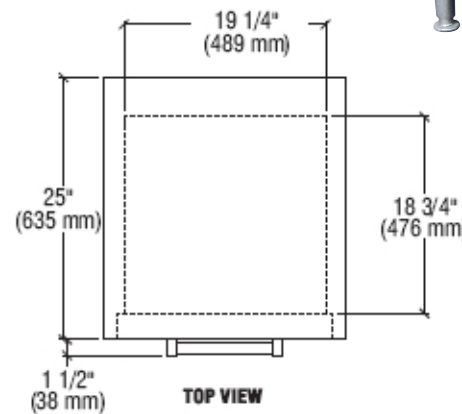


Pizza Oven

PO-18

- Perfect for use in kitchens with limited space
- Oven comes with two removable ceramic hearth baking shelves with a 3-1/4" deck height
- Ideal for making pizza, breads and other bakery products
- Thermostat range of 284°F to 680°F
- 15 minute continuous timer
- 6 foot power cord
- Unit dimensions: 23"W x 25"D x 21"H
- 240V/50-60hz, 2850W, 12 amps
- 6-20P NEMA plug 



SHIPPING INFORMATION

Model	Lbs.	Kilos	Length	Width	Height*	Cubic Feet	Cubic Meter
PO-18	146	66	25	23	21	6.92	0.196

*Legs not pictured

ADCRAFT®

The more you look, the better we look.

Protected by Admiral Craft Equipment Corporation's one year limited warranty. Should your product fail under normal use, it will be repaired or replaced up to one year from date of purchase.

