

STA-TITE® COMMERCIAL FASTENING SYSTEM™ MODELS

BEMIS Previous SKU	BEMIS New SKU	CHURCH Previous SKU	CHURCH New SKU	OLSONITE Previous SKU	OLSONITE New SKU
1655C	1655CT	9500C	9500CT	95C	95CT
1655SSC	1655SSCT	9500SSC	9500SSCT	95SSC	95SSCT
1955C	1955CT	295C	295CT	10C	10CT
1955CFR	1955CTFR	1955CFR	1955CTFR	10SSCAMFR	10SSCTFR
1955SSC	1955SSCT	295SSC	295SSCT	10SSC	10SSCT
1955SSFR	1955SSFR	1955SSFR	1955SSFR		
2055C	2055CT	2055C	2055CT		
2055SSC	2055SSCT	2055SSC	2055SSCT		
2155C	2155CT	2155C	2155CT		
2155SSC	2155SSCT	2155SSC	2155SSCT		
3155C	3155CT	3155C	3155CT		
3155SSC	3155SSCT	3155SSC	3155SSCT		
955C	955CT	397C	397CT	5C	5CT
955SSC	955SSCT	397SSC	397SSCT	5SSC	5SSCT
BB955C	BB955CT	1580C	1580CT	126CAM	126CAMT
MA2055	MA2055T	MA2055	MA2055T	MA2055	MA2055T
MA2155	MA2155T	MA2155	MA2155T	MA2155	MA2155T
9400C	9400CT	9400C	9400CT		
9400SSC	9400SSCT	9400SSC	9400SSCT		

"T" p/n suffix denotes STA-TITE® Commercial Fastening System™



EASIER FASTER SECURE

breakthrough
TECHNOLOGY

For more information, visit www.Sta-TiteSystem.com



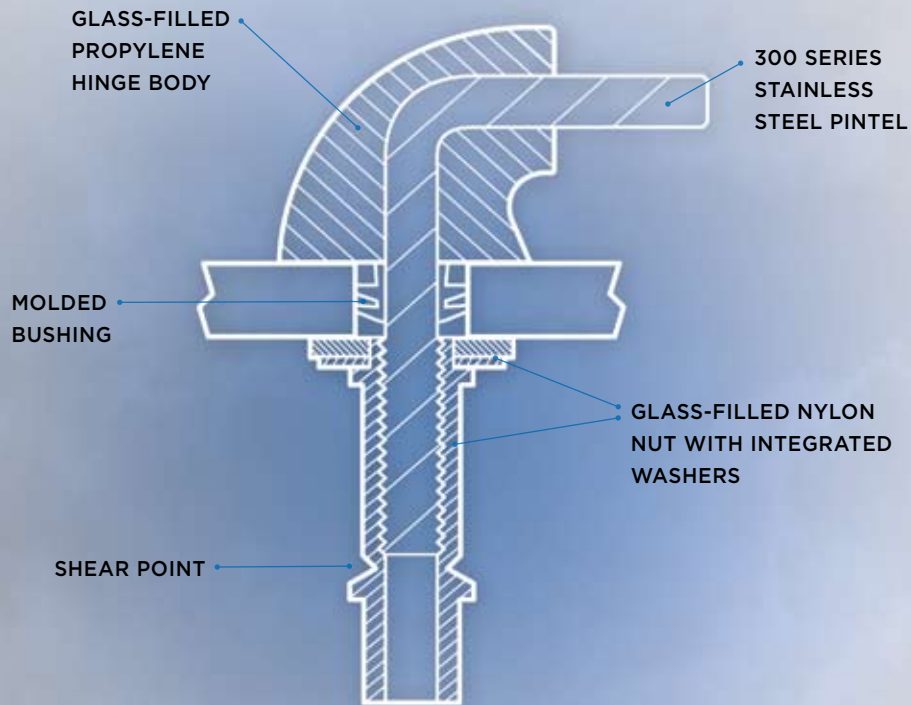
a Division of Bemis Manufacturing Company
 300 Mill Street, P.O. Box 901, Sheboygan Falls, WI 53085
 Phone: 920.467.4621 Fax: 920.467.8573
 E-mail: corp@BemisMfg.com
www.BemisMfg.com
 ©2008 OB7012235

STATITE®
 Commercial Fastening System™

Patent Pending

[HINGE ANATOMY]

101



GLASS-FILLED PROPYLENE HINGE BODY
for Superior Strength.

300 SERIES STAINLESS STEEL PINTEL
1-1/2" Long Pintel Enhances
Seat-to-Hinge Stability.

MOLDED BUSHING
Eliminates Gap in Bowl Mounting Hole,
Preventing Hinge Movement.

GLASS-FILLED NYLON NUT WITH INTEGRATED WASHERS
Provides Superior Clamping Force
and Resists Corrosion.

SHEAR POINT
Nut Breaks Off Here at Precise
Tightening Torque, Resulting in
a Seat That Stays TITE!

EASIER One-piece integrated nut with washers eliminates fumbling with individual nuts and washers during seat installation.

FASTER 33% faster installation results in more seat installations in less time.

SECURE STA-TITE® Commercial Fastening System™ eliminates callbacks for loosened seats.



Assemble hinges.



Center seat on bowl
and finger-tighten
STA-TITE® Fastening Nuts.



Using a 5/8" wrench,
alternately tighten until
lower portions shear off.

Get Tight Right — Every Time!