

Soirée® Undercounter Lavatory

FEATURES

- 24-3/4" x 14-1/8"
- Rimless design for undercounter installation
- Rear overflow (chrome overflow cover optional)
- Vitreous china
- Mounting assembly complete with installation template and mounting screw set for wood countertops
- THU410 is required for marble/granite type countertop installation and must be purchased separately

MODELS

- LT967
(#01, #03, #11, #12, #51)

COLORS/FINISHES

- #01 Cotton
- #03 Bone
- #11 Colonial White
- #12 Sedona Beige
- #51 Ebony

OPTIONAL

- THU205
Chrome overflow cover

CODES/STANDARDS

- Meets and exceeds ASME A112.19.2/CSA B45.1
- Certifications: IAPMO(cUPC), State of Massachusetts, City of Los Angeles, and others
- Meets ADA guidelines and ANSI A117.1 requirements when countertop is installed 864mm (34") from finished floor and lavatory is installed 205mm (8-1/8") minimum from front edge.



PRODUCT SPECIFICATION

The undercounter lavatory shall be made of vitreous china. Lavatory shall be 24-3/4" in length and 14-1/8" in width. Product shall be with overflow and lavatory shall include mounting assembly. Optional chrome overflow cover available. Lavatory shall be TOTO Model LT967_____.

LT967

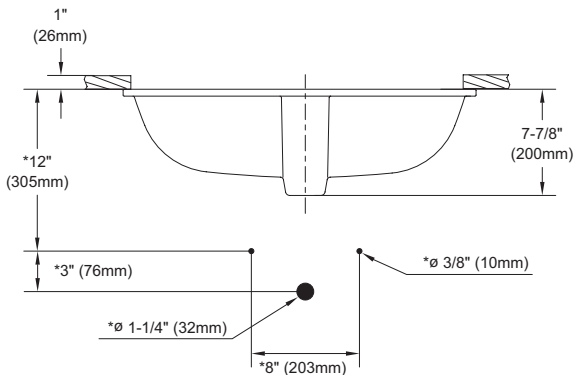
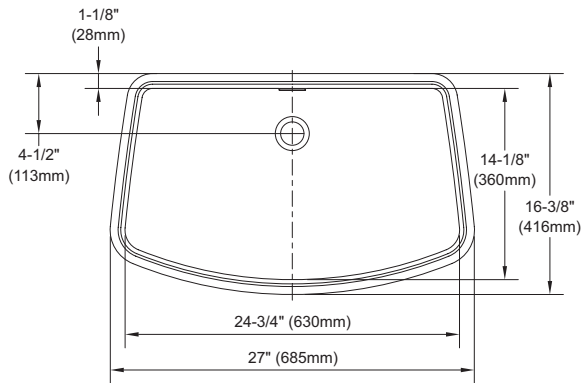
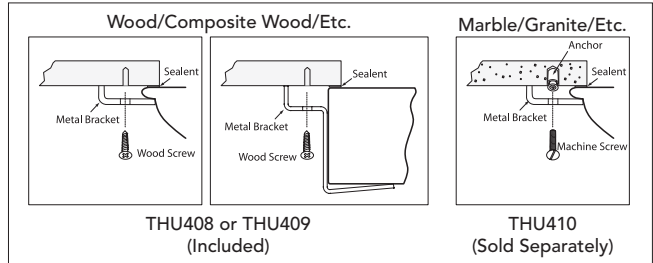
Soirée® Undercounter Lavatory

SPECIFICATIONS

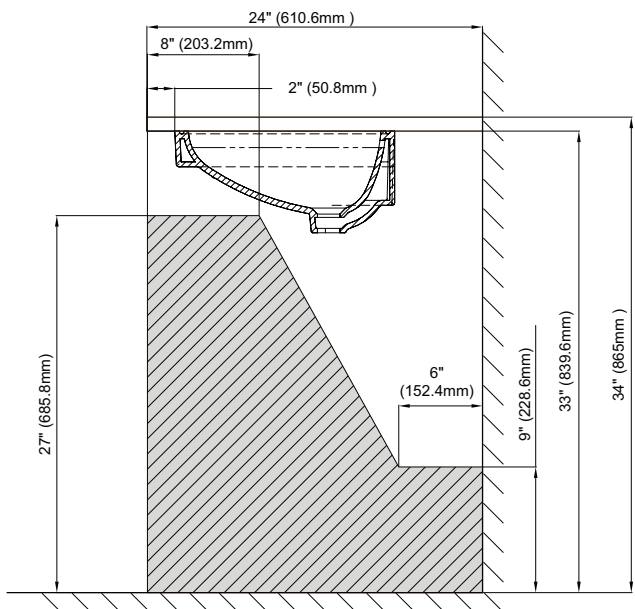
- Waste 1-1/4" O.D.
- Size 27"W x 16-3/8"D
- Basin 24-3/4"W x 14-1/8"D
- Warranty One Year Limited Warranty
- Material Vitreous china
- Shipping Weight 32 lbs.
- Shipping Dimensions 28-3/8"W x 17-1/2"D x 9-5/8"H

INSTALLATION NOTES

Mounting Hardware



ADA COMPLIANCE CHECK



TOTO®

These dimensions and specifications are subject to change without notice