

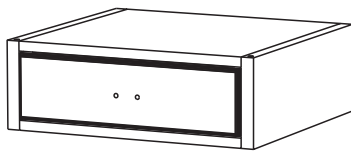
IMPORTANT

Carefully remove all the parts from the carton and place them individually on a soft cloth to prevent scratches or other damage.

Carefully and strictly follow these assembly instructions to ensure a completed product as designed.

Do not use power tools above 8 volts to assemble.

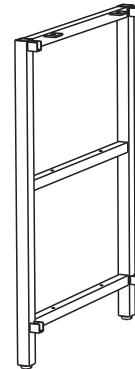
Part List



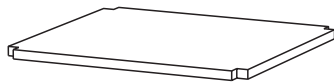
A.
Cabinet
1 pc.



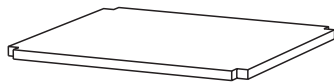
B.
Rail
4 pcs.



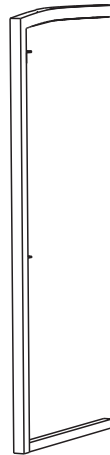
C.
Side Frame
2 pcs.



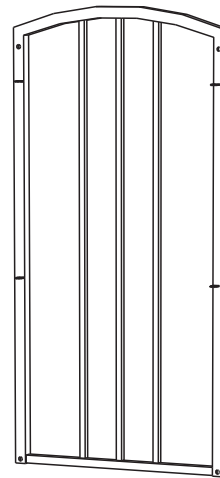
D.
Shelf
2 pcs.



E.
Shelf
2 pcs.

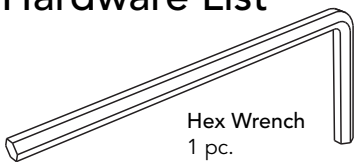


F.
Side Frame
2 pcs.

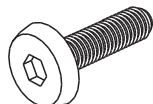


G.
Back Frame
1 pc.

Hardware List



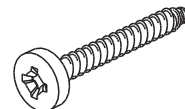
Hex Wrench
1 pc.



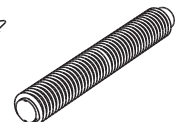
M6x19
Head Cap Bolt
14 pcs. (+1 extra)



Spring Washer
12 pcs. (+1 extra)



M4x32
Wood Screw (long)
16 pcs. (+1 extra)



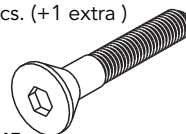
M6x45
Headless Bolt
2 pcs. (+1 extra)



Small Hex Wrench
1 pc.



Flat Washer
12 pcs. (+1 extra)



M6x45
Tapered Head Cap Bolt
4 pcs. (+1 extra)



M4x12
Wood Screw (short)
12 pcs. (+1 extra)



Bracket
2 pcs.

Tool(s) required for assembly: Phillips screwdriver, Level, Drill (8 volts or less), 3/8" Drill Bit

Assembly Instructions 2/7

IMPORTANT

- Use a soft cloth between these parts and the floor.
- Do not use power tools above 8 volts to assemble.
- Do not tighten all the bolts until each part is properly assembled.
- The unit must be level to work properly. Use the included adjustable levelers to level.
- Keep Hex Wrench as the bolts may need to be tightened in the future.

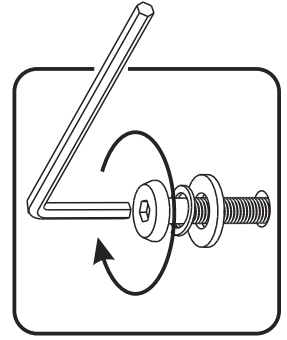
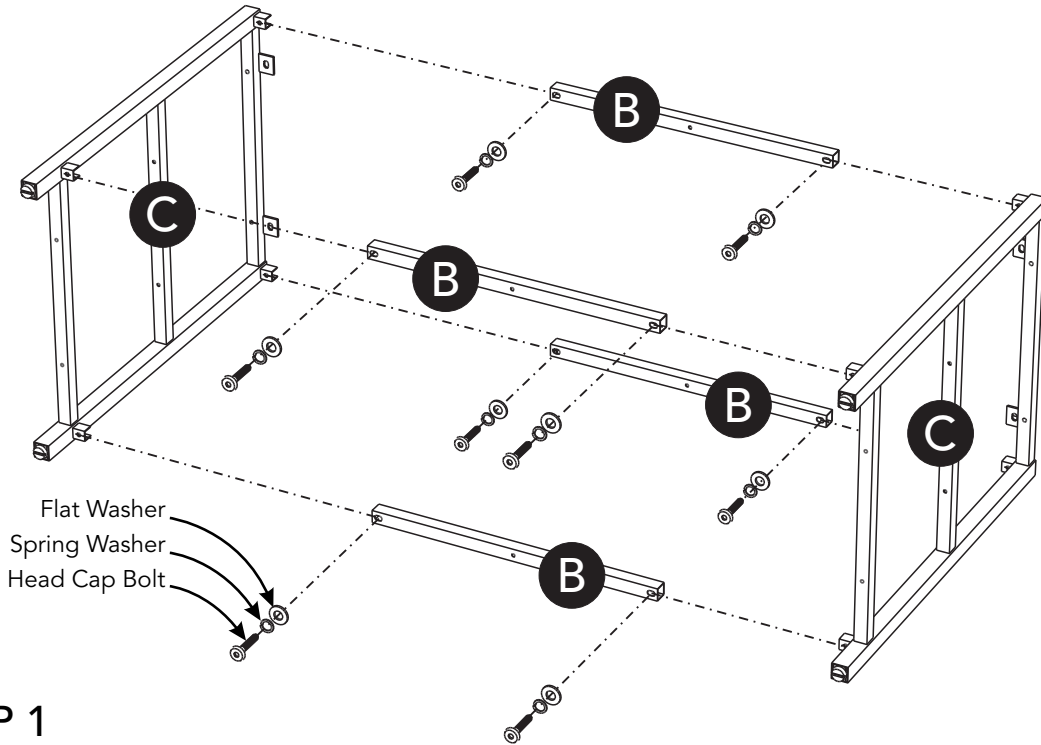


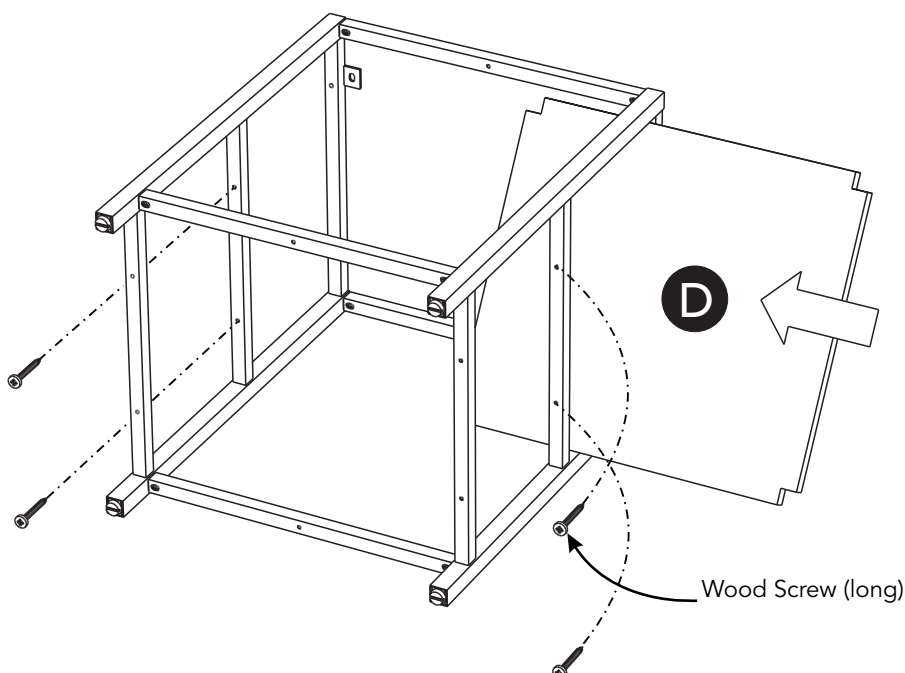
Figure 1



STEP 1

Attach Rails (B) to Side Frames (C) with Flat Washers, Spring Washers and Head Cap Bolts, tightening bolts only halfway. (See Figure 1)

Tighten all bolts.



STEP 2

Slide Shelf (D) into unit.

Attach Shelf (D) to unit with Wood Screws (long).

Assembly Instructions 3/7

STEP 3

Slide Shelf (D) into unit.

Attach Shelf (D) to unit with Wood Screws (long).

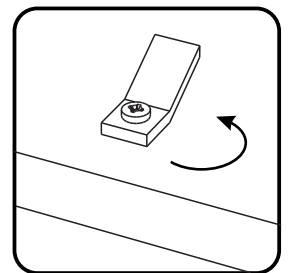
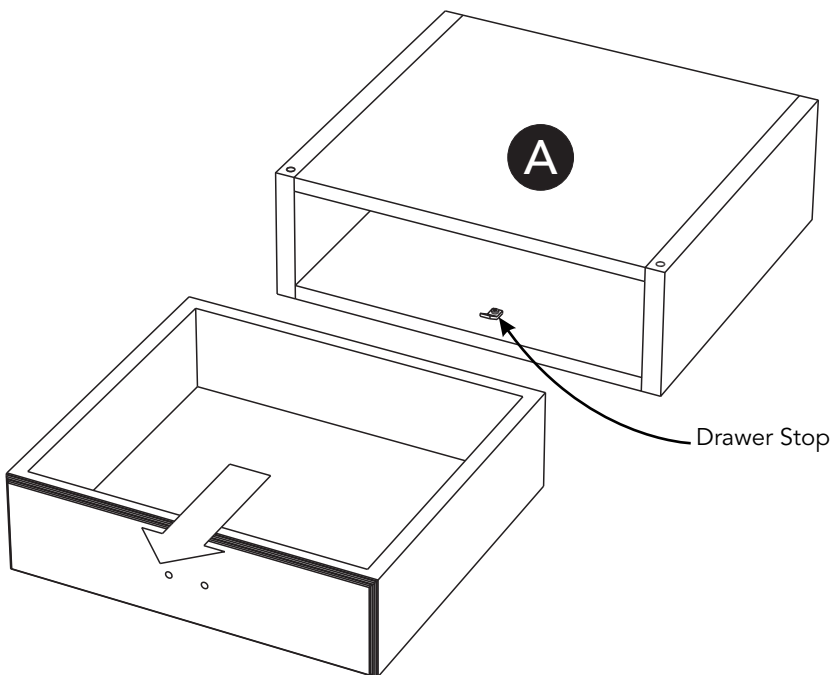
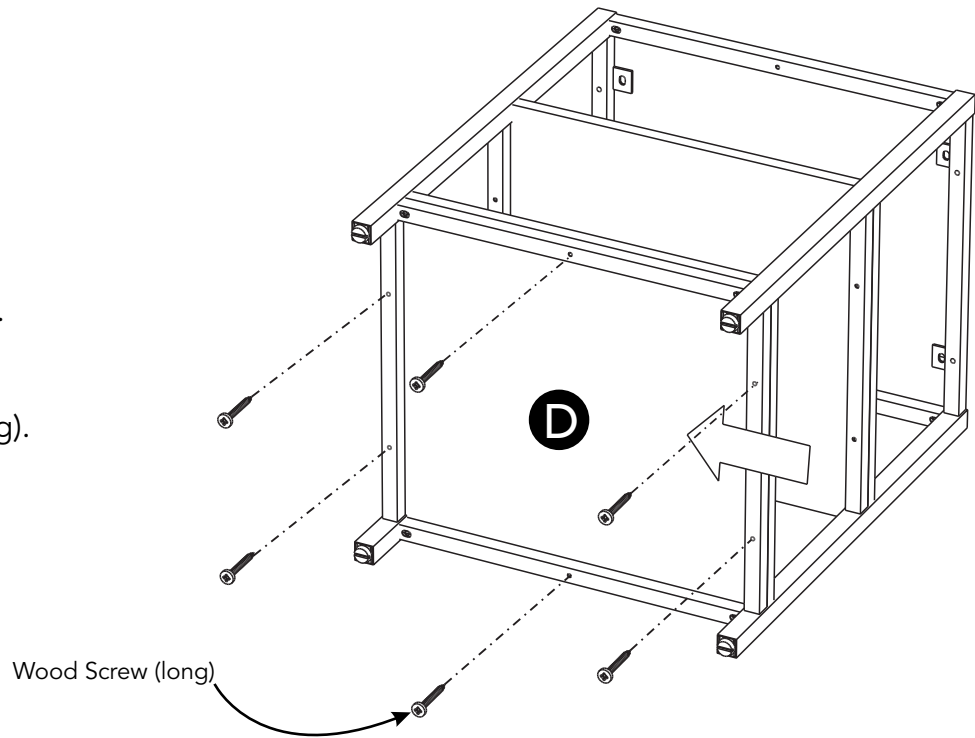


Figure 2

STEP 4

Remove drawer from Cabinet (A).

Rotate drawer stop into position.
(See Figure 2)

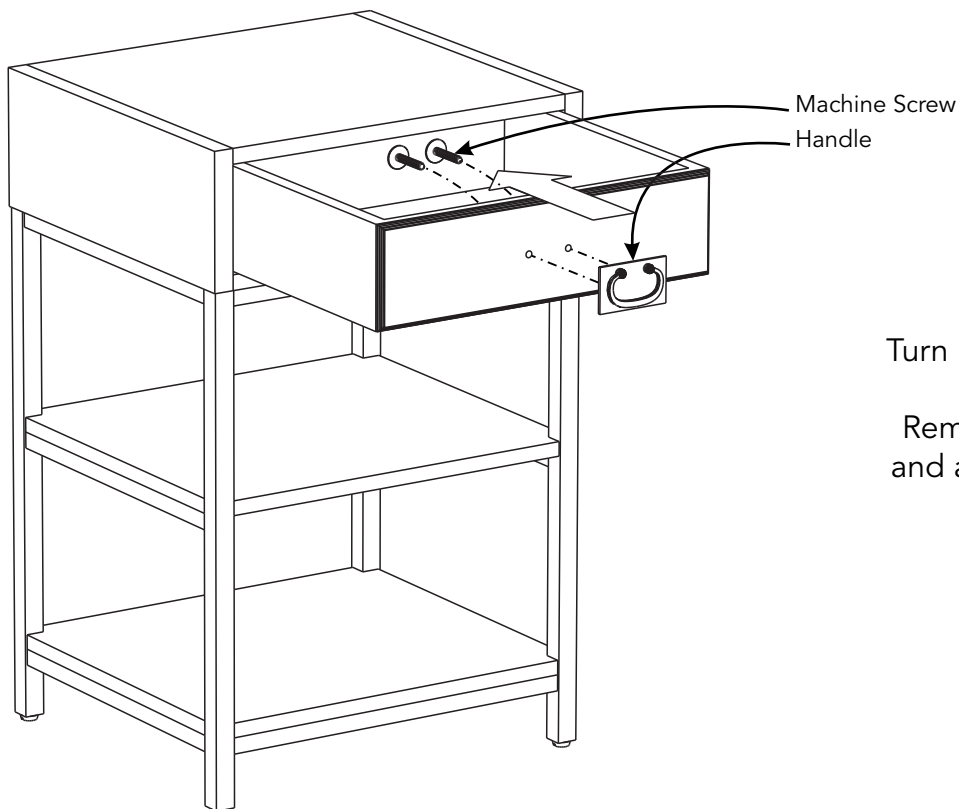
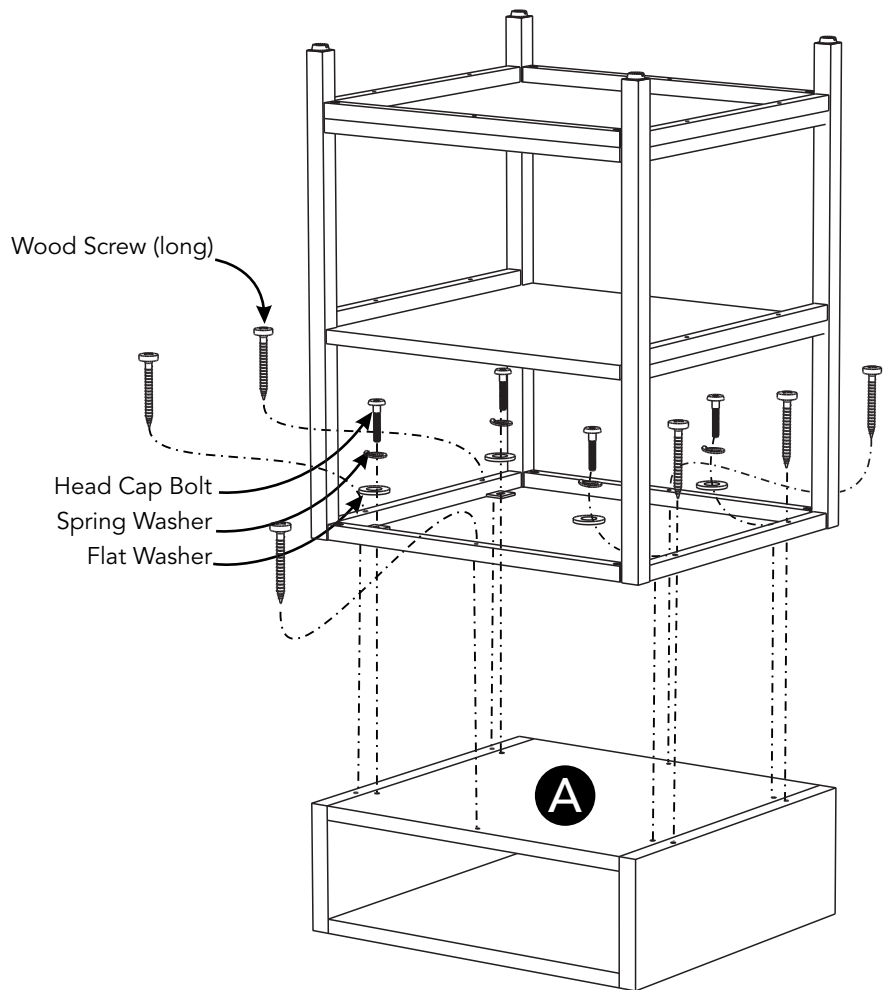
Assembly Instructions 4/7

STEP 5

Place Cabinet (A) upside down on a soft cloth.

Attach unit to Cabinet (A) with Flat Washers, Spring Washers and Head Cap Bolts.

Insert Wood Screws (long) into pre-drilled holes in unit.



STEP 6

Turn unit over to its upright position.

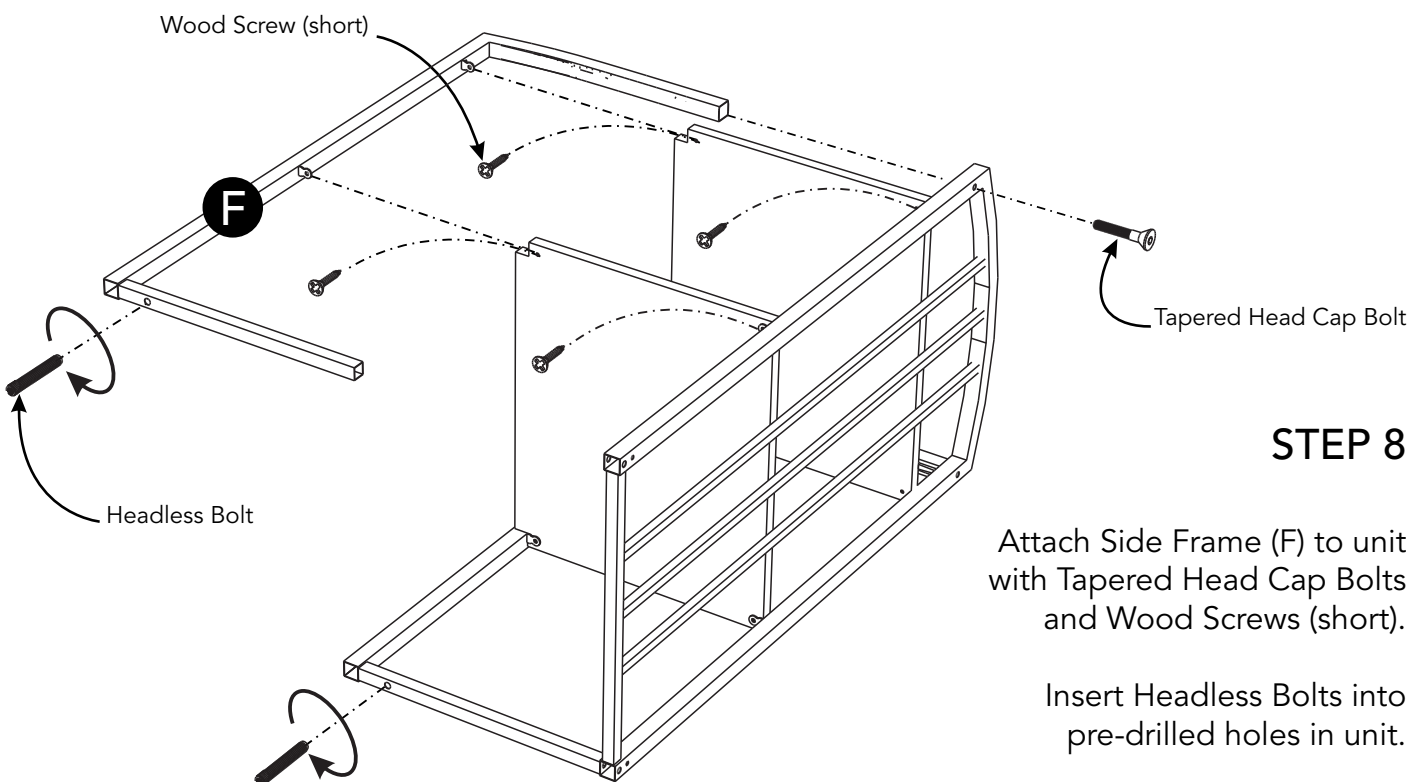
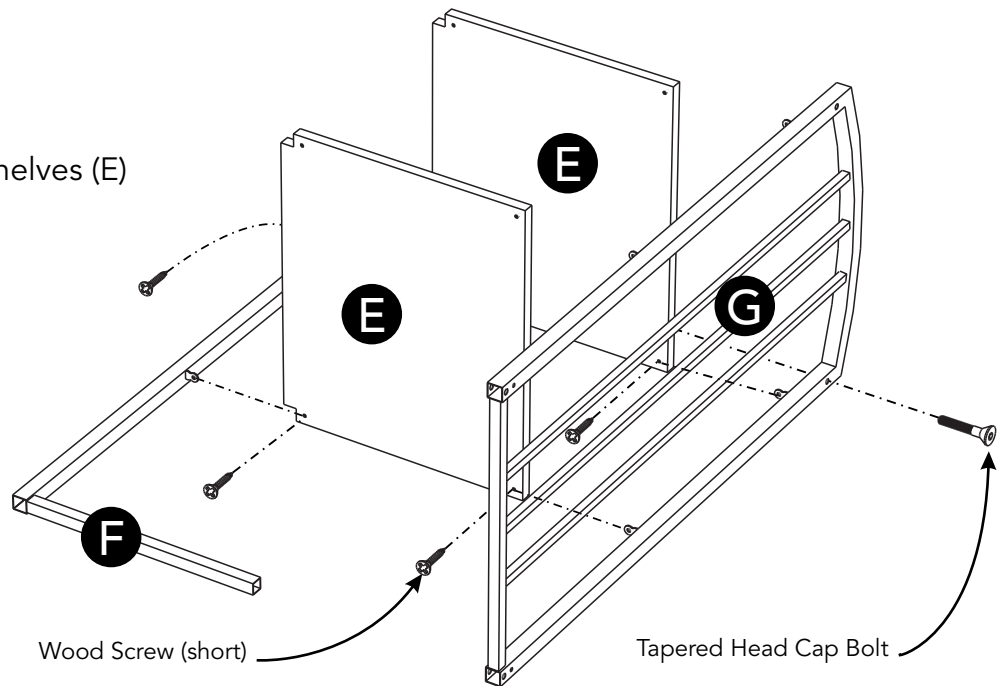
Remove handle on inside of drawer and attach to outside of drawer with machine screws.

Slide drawer into position.

Assembly Instructions 5/7

STEP 7

Attach Side Frame (F) and Shelves (E) to Back Frame (G) with Tapered Head Cap Bolts and Wood Screws (short).



STEP 8

Attach Side Frame (F) to unit with Tapered Head Cap Bolts and Wood Screws (short).

Insert Headless Bolts into pre-drilled holes in unit.

Assembly Instructions 6/7

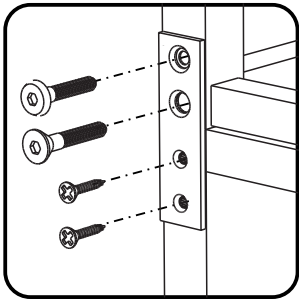
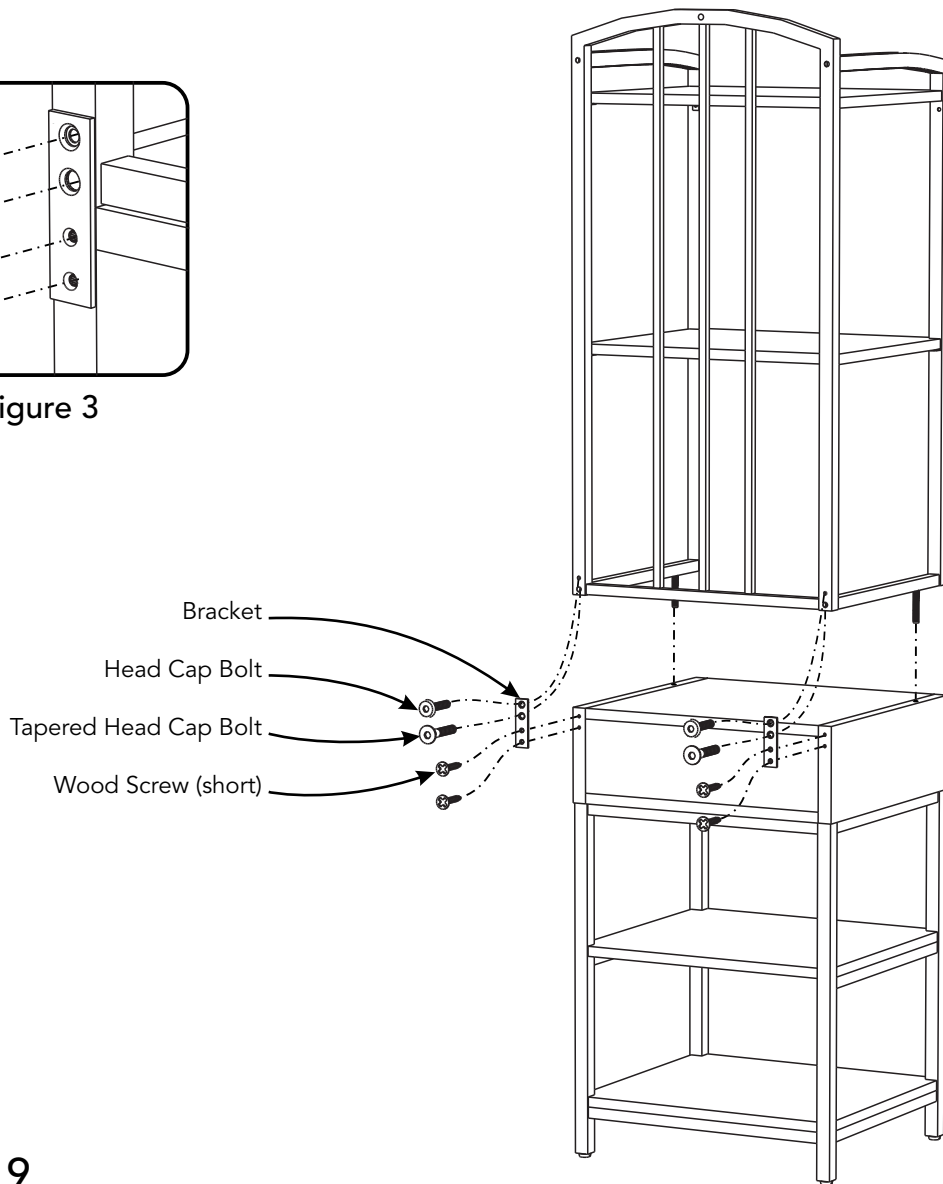


Figure 3



STEP 9

Place upper unit onto base unit.

Attach Brackets to unit with Head Cap Bolts, Tapered Head Cap Bolts and Wood Screws (short).
(See Figure 3)

Level unit by adjusting the adjustable levelers on bottom of unit.
(See Figure 4)

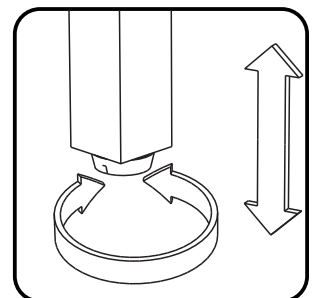


Figure 4

Assembly Instructions 7/7

IMPORTANT

- To help reduce the risk of the unit tipping over, the Tipover Restraint must be installed following these instructions exactly.

STEP 10

Place unit at desired location.

Drill a 3/8" hole in wall in-line with pre-drilled hole at top of unit.

Move unit.

Insert Anchor into the wall hole and attach Bracket with Wall Screw.

Attach Bracket at pre-drilled hole at top of unit with Machine Screw.

Move unit back into place.

Slide Tipover Restraint through Bracket on wall and Bracket on unit.
(See Figure 5)

Put tie end of Tipover Restraint into lock end of Tipover Restraint and pull until tight.

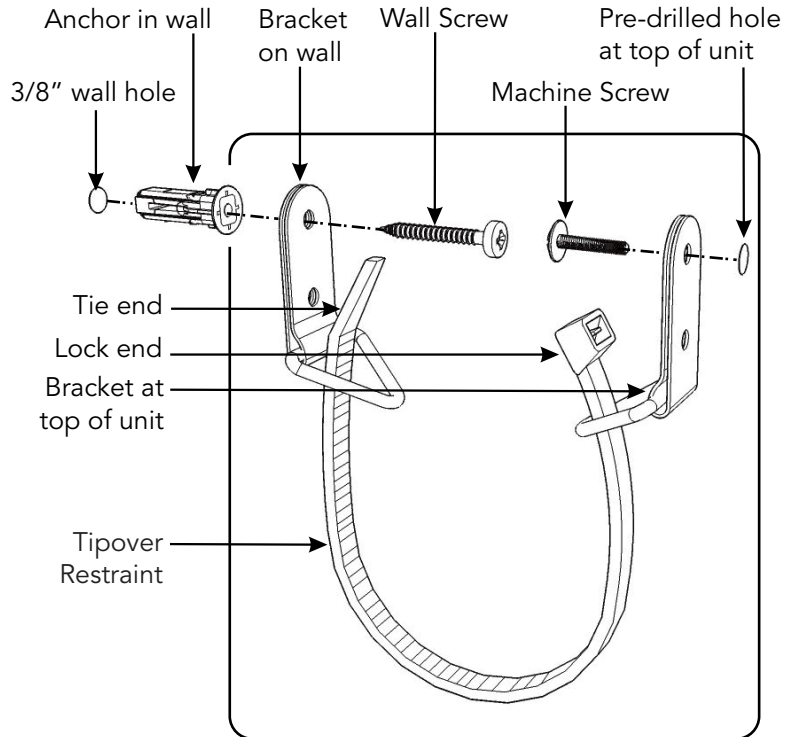
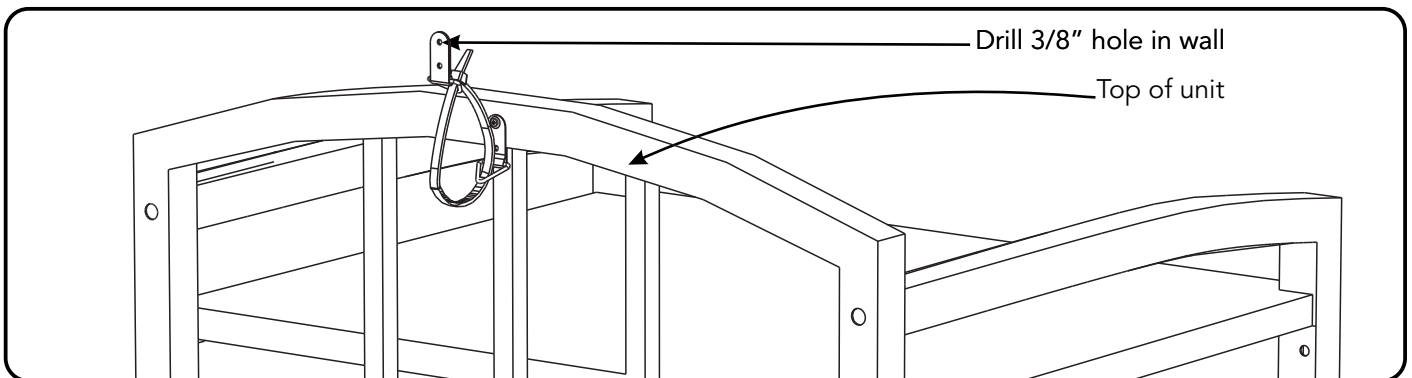
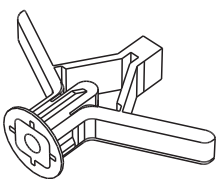


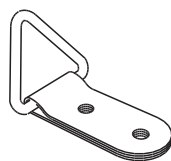
Figure 5



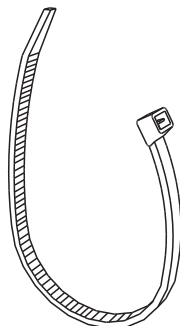
Hardware List



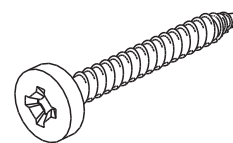
Anchor
1 pc. (+1 extra)



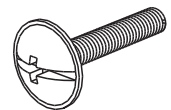
Bracket
2 pcs. (+1 extra)



Tipover Restraint
1 pc. (+1 extra)



M3.5x40
Wall Screw
1 pc. (+1 extra)



M4x10
Machine Screw
1 pc. (+1 extra)

CARE INSTRUCTIONS

NEVER

allow liquids to remain on furniture.
Absorption causes parts to warp
and split and finishes to delaminate.

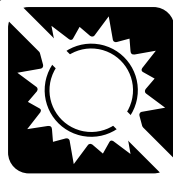
NEVER

use glass cleaners on
finished furniture. Ammonia
chemically attacks the finish.



Do not use power tools
above 8 volts to assemble.

**PREVENT
CRACKING**



Do not place
in direct sunlight.

**PREVENT
FADING**



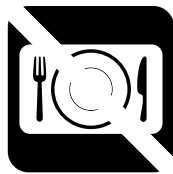
Do not write
directly on surface.

**PREVENT
MARKING**



Do not place hot
objects on surface.

**PREVENT
FINISH DAMAGE**



Do not use rubber
based placemats.

**PREVENT
DISCOLORING**



Do not use commercial
waxes and polishes.

**PREVENT
YELLOWING**

CLEAN

with a soft cloth moistened
in lukewarm soap and water.
Buff with a dry clean cloth.



homestyles will provide replacements free of charge for missing or damaged parts within 1 year of purchase. Digital images of the defective parts may be required. If the product was not purchased from an authorized retailer, **homestyles** is under no obligation to provide replacement parts. Parts are not available for fully assembled items nor are parts available for sale. Replacements for missing or damaged parts may be requested via contact info below.

homestyles Customer Service: www.homestylesfurniture.com,
servicedesk@homestylesfurniture.com, 888-680-7460