





Item: 5971-10458-99 Bristowe Writing Desk

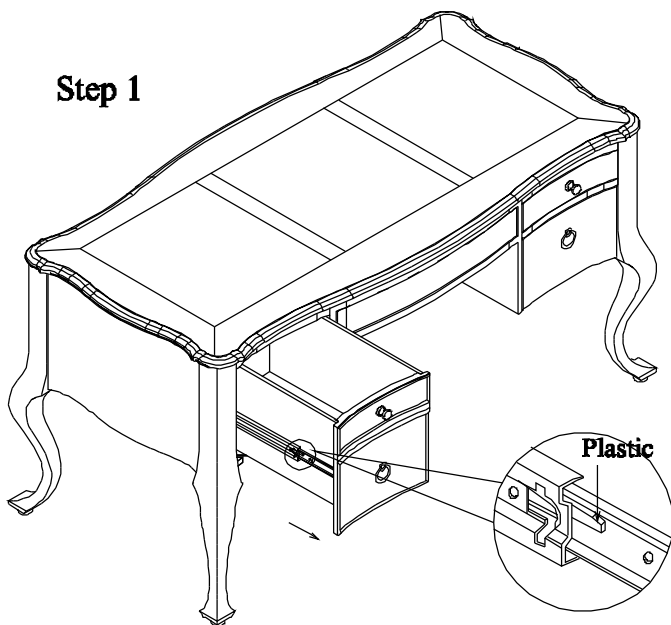
Thank you for purchasing this quality product. Be sure to unpack carefully looking for small parts which may have come loose during shipment.

Read all instruction and study the drawing carefully before starting the assembly process:

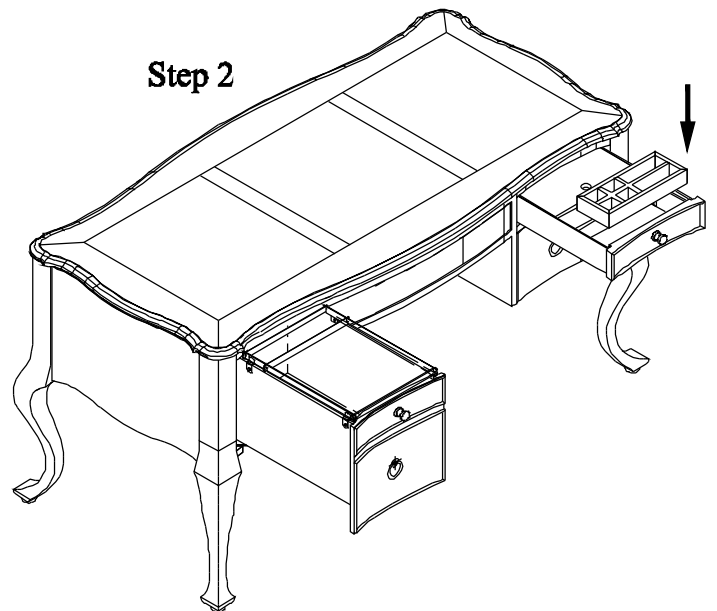
HARDWARE PACK

NO	DRAWING	DESCRIPTION	SIZE	Q'TY
A		NUT	Φ 5/16"×12	8pcs
B		FLAT WASHER	Φ 5/16"×19×2	8pcs
C		LOCK WASHER	Φ 5/16"×12×3	8pcs
D		WRENCH	12mm	1pc

Step 1

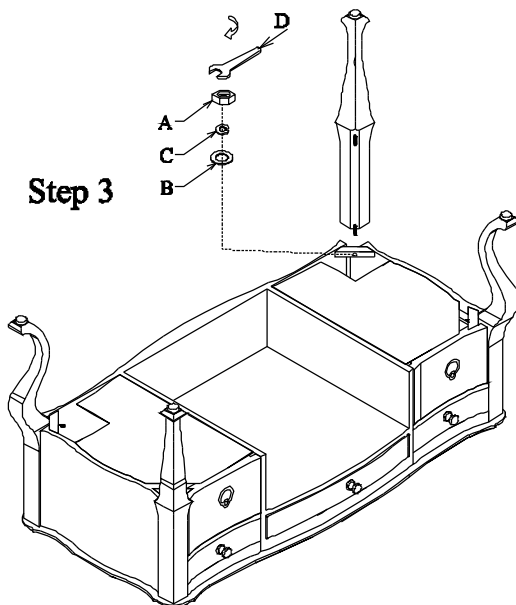


Step 2

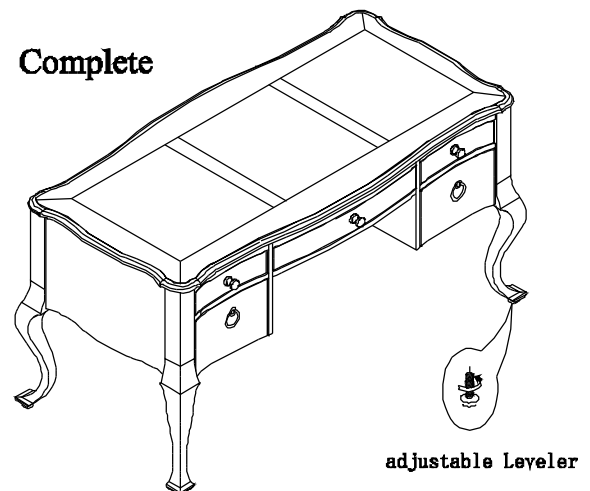


Press the left side plastic up,
and press the right side plastic down,
then pull out the drawer.

Step 3



Complete



Adjust levelers if needed, to level case on uneven floor