



Replace with LEDR56JBX/930 type LED light.
 To order contact FEIT ELECTRIC COMPANY
 Tel: 562-463-2852
 Http: www.feit.com
 Email: info@feit.com

INSTALLATION & OPERATING INSTRUCTIONS

IMPORTANT SAFETY INFORMATION

READ ALL INSTRUCTIONS BEFORE INSTALLATION

This fixture operates on regular household power (120V, 60Hz).

This fixture need to be grounded.

Disconnect power at your breaker panel before starting installation of this downlight

GENERAL INSTRUCTIONS

Electrical connections must be made in accordance with local electrical codes and regulations.

Minimum lamp compartment dimensions:

4.5in. (dia) x 2.375 in. (h) for 4" models

6.25in. (dia) x 2.375 in. (h) for 6" models

SUITABLE FOR WET LOCATIONS.

The foam insert between the trim and ceiling of this panel will create an air tight seal.

Suitable for IC or NON-IC installation.

WARRANTY

This product is warranted to be free from defects in workmanship and materials for up to 5 years from date of purchase. If it fails to do so, please contact Feit Electric at info@feit.com or call 1-866 326-BULB (2852) for instructions on replacement. Do not return the product to the store.

For comments please write to:
 Feit Electric
 Customer Service Department
 4901 Gregg Road, Pico Rivera, CA 90660

WARNING

-Risk of fire or electrical shock. LED Panel Kit installation requires knowledge of luminaires electrical systems. If not qualified, do not attempt installation. Contact a qualified electrician. The use of a licensed electrician is highly recommended.

-As with all electrical components there is always a risk of fire or electric shock if handled and/or installed incorrectly.

-Disconnect power at circuit breaker panel before any installation.

-Install this kit only in situations as per the general instructions above.

-Do not make or alter any open holes in any enclosure or any electrical component during installation.

-To prevent wiring damage or abrasion to the wires do not expose wiring to sharp edges of sheer metal or other sharp objects.

-Do not use when the enclosure is damaged or broken in any way

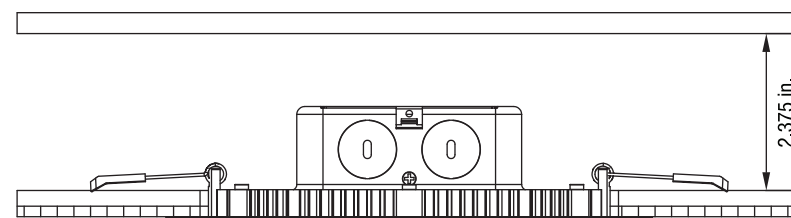
-Do not alter, relocate or remove wiring, lamp holder power supply or any other electrical component.

-Operating temperature ranging between -20°C to +45°C(-4°F to +113°F). Lamp life may be affected outside these temperatures.

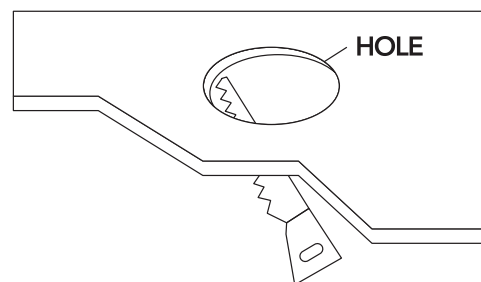
INSTALLATION INSTRUCTIONS FOR RECESSED HOUSING

DISCONNECT POWER AT YOUR BREAKER PANEL BEFORE STARTING INSTALLATION OF THIS FIXTURE

1. Ensure space above the installed fixture is at least 2.375 in.

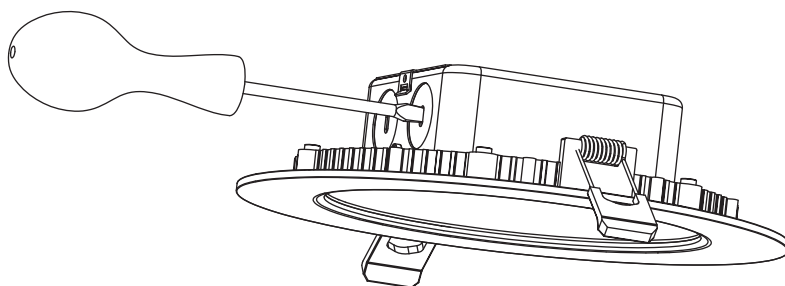


2. Cut a hole in the ceiling. Refer to the table below for cut out dimension. Before cutting, ensure that the hole does not impinge on joists, pipe work, cable or other building services.



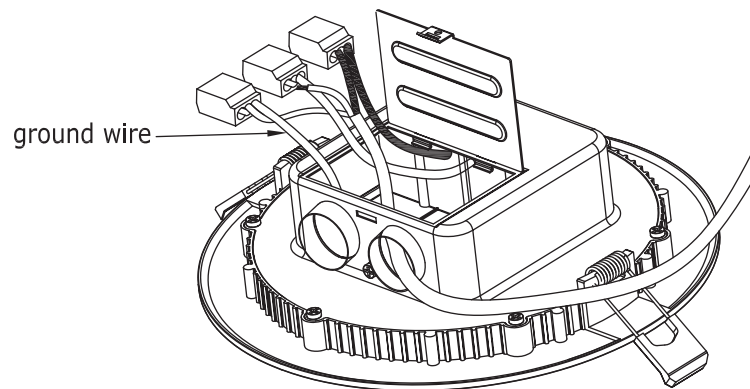
MODEL	INPUT VOLTAGE (V)	INPUT FREQUENCY (Hz)	INPUT WATTS (W)	CUT OUT (in)
LEDR4JBX/930	120	60	10	4.5
LEDR56JBX/930	120	60	12	6.25

3. Carefully remove the knock-out with a screw driver or punch.



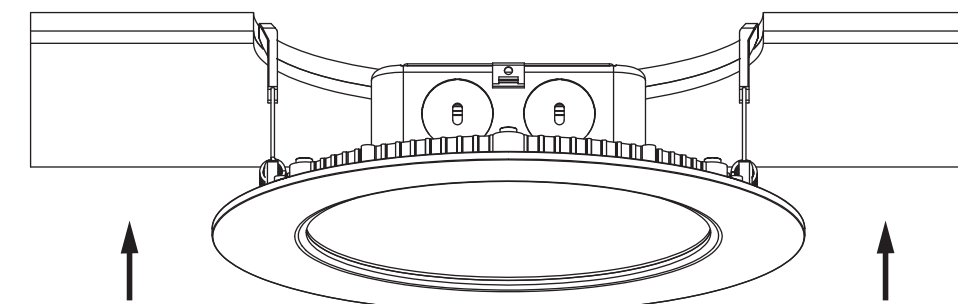
4. Open the junction box cover. Feed supply wire into knockout hole using adequate connector (not supplied) and make all connections inside the junction box using the wago connectors (see image below). Connect the 120V line wire to the black wire. Connect the neutral wire to the white wire. This fixture does not need to be grounded due to its design.

NOTE: Should you be replacing an existing fixture where ground wire is already present, you can connect incoming ground wire to the extra wago connector supplied. If wiring onto another fixture, connect outgoing ground wire to the same wago connectors.



5. Replace junction box cover.

6. Hold spring clips against fixture and gently guide into the ceiling until clips snap into place. Fixture should be flush against ceiling.



7. Restore power at the breaker panel and enjoy your new LED panel light.

NOTE:

These LED panel lights can be used with most incandescent dimmers. Dimmable lights will operate smoothly with most residential dimmers and provide continuous dimming from 100% brightness to a low of 10% of original light density. Be aware that many different dimmer technologies exist and some might not dim LED products and some might only work partially. These LED panels have been tested and here are some of the dimmers with which this unit is compatible: LUTRON TGCL-153P, LGCL-153PL, LEVITON (DZS15), LEGRAND (E95219), LUTRON (MSCL-OP153M), LUTRON (TGCL-153PH-WH), LUTRON (TG-603PG), LUTRON (MACL-153PH-WH), LUTRON (6674). Visit www.feit.com for more information on dimmer compatibility.

This device complies with Part 15 of the FCC rules. Operation is subject to the following two conditions:(1)this device may not cause harmful interference, and (2)this device must accept any interference received, including interference that may cause undesired operation. This lighting equipment complies CAN ICES-005(B).

PRODUCT ELECTRIC RATING

INPUT VOLTAGE /FREQUENCY 120V/60Hz	INPUT CURRENT XXmA	INPUT POWER 12W
---------------------------------------	-----------------------	--------------------

LIGHTING DISTRIBUTION		
	Center Beam (Foot Candles)	Beam Diameter
3 ft	34	9.1 ft
5 ft	12	15 ft
8 ft	4.8	24 ft
15 ft	1.4	45 ft

Beam Angle = 113°