

ITEM# 80360

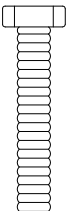
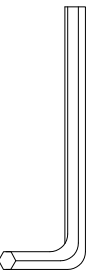
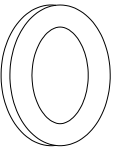
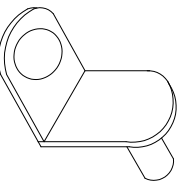

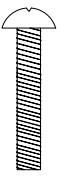
# Mission OAK 25"H, 60"W Console



2219 S. 19th St.  
Sheboygan, WI 53081  
Ph: 920-451-4060  
Fax: 920-451-4063  
[info@leickfurnituresince1910.com](mailto:info@leickfurnituresince1910.com)



## Hardware List

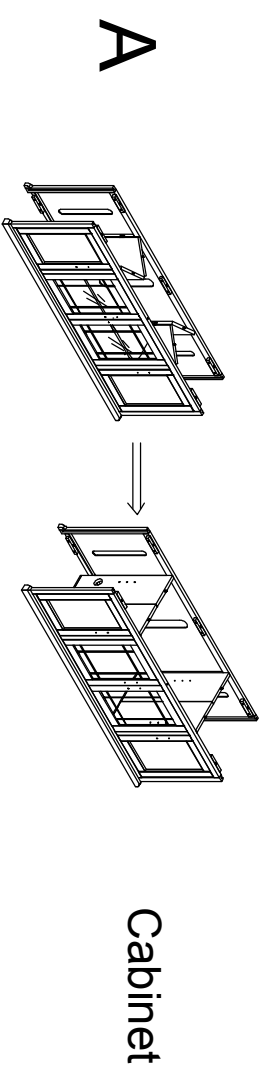
Item	Description	Qty
a 	Bolt 1/4"*1-1/8"	6PCS
b 	Allen wrench	1PC
c 	Washer 1/4"*12mm	6PCS
d 	Shelf metal clip	12PCS
e 	Door Pull	4PCS
f 	Machine screw for door pull 5/32"*7/8"	8PCS

# Parts List

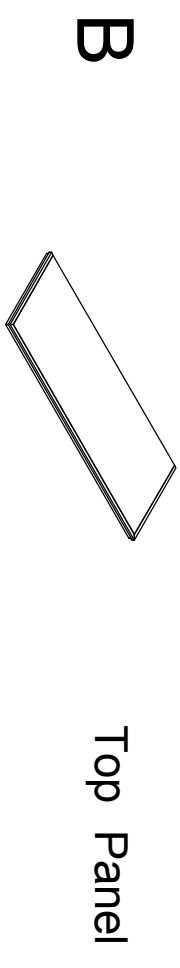
# Assembly Instructions

Item Description Qty

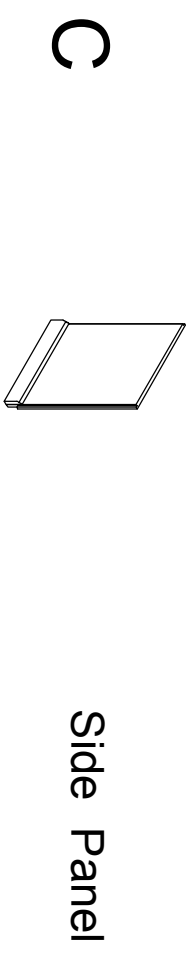
Two person assembly recommended.



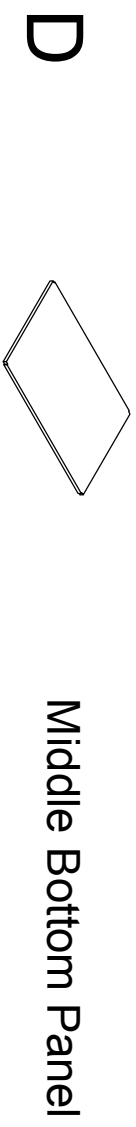
**A** Cabinet 1PC



**B** Top Panel 1PC



**C** Side Panel 2PCS



**D** Middle Bottom Panel 1PC



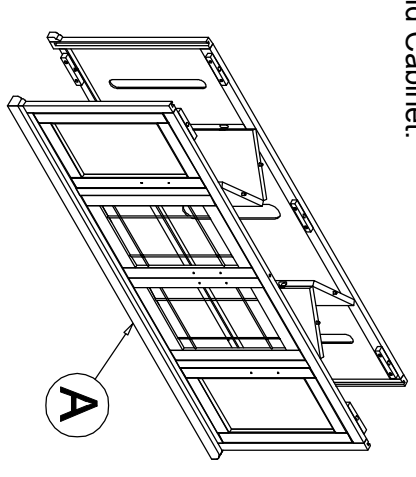
**E** Side Bottom Panel 2PCS



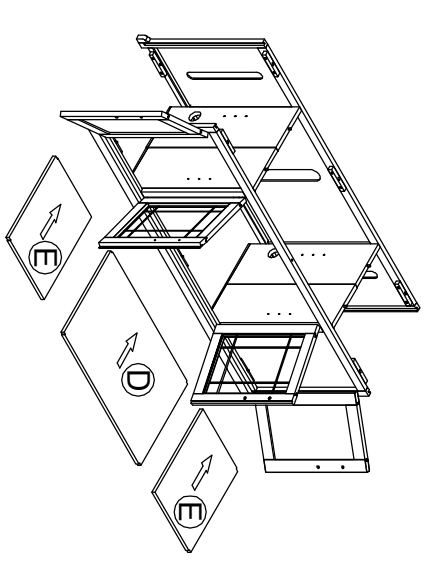
**F** Middle Adjustable Shelf 1PC



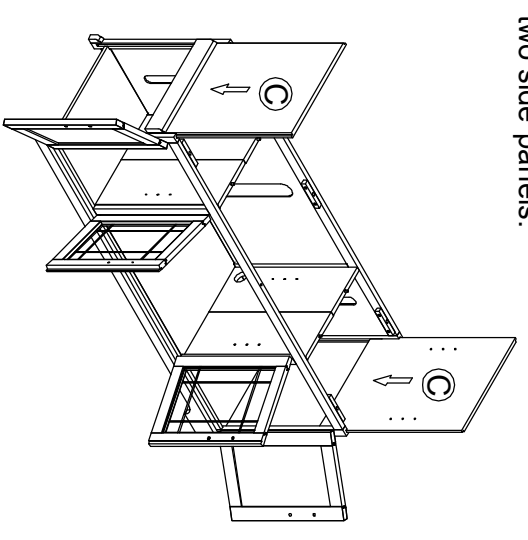
**G** Side Adjustable Shelf 2PCS



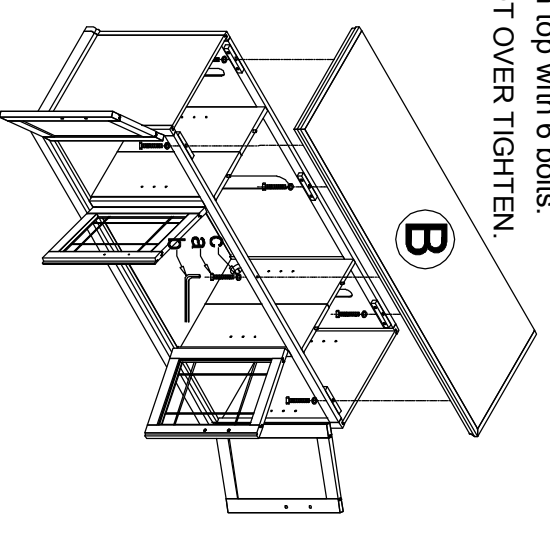
**step 1**  
Unfold Cabinet.



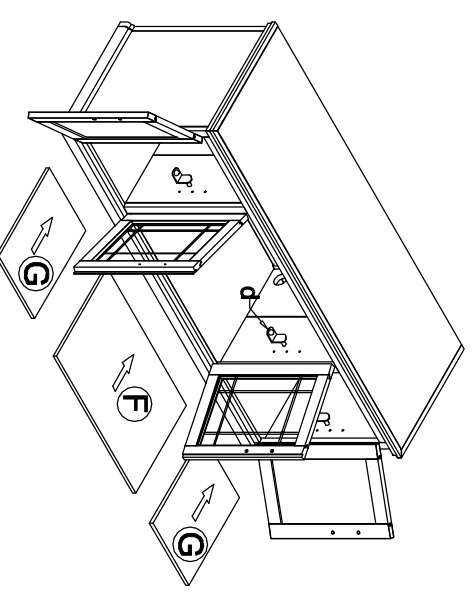
**step 2**  
Open 4 doors. Insert the middle bottom panel first, then insert side bottom panels.



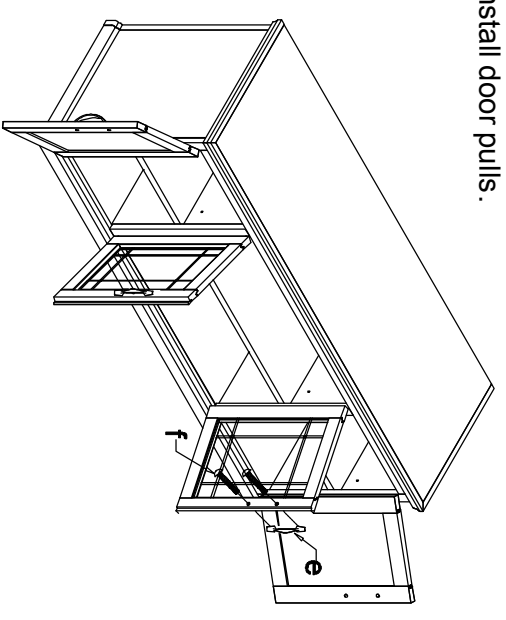
**step 3**  
Insert two side panels.



**step 4**  
Bolt on top with 6 bolts.  
DO NOT OVER TIGHTEN.



**step 5**  
Install shelf clips and insert shelves.



**step 6**  
Install door pulls.