

HOOKER[®]





— FURNITURE —

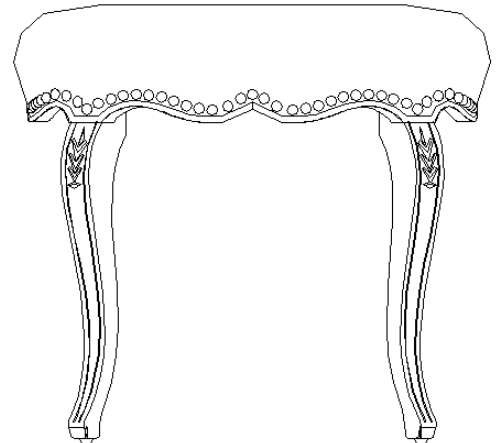
Martinsville, VA 24112

ASSEMBLY INSTRUCTION

Item#: 5875-52006-99 Tigre Ottoman

** Please make sure you have all parts indicated below prior to assembly.

NO.	HARDWARE LIST		Q'TY
A		Flat washer	8
B		Lock washer	8
C		Bolt	8
D		Allen wrench	1



Assembly Steps:

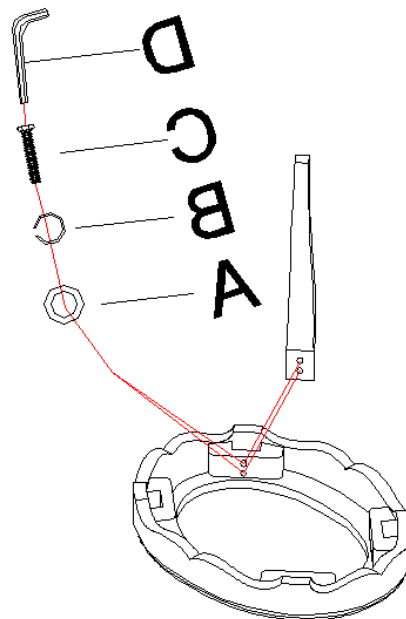


Diagram 1

1. Please lay down the top on a soft place to prevent it from being scratched.
2. Attach legs as labeled to top by using flat washer (A), lock washer (B) and bolt (C). Tighten them securely with Allen wrench (D). (See diagram 1)
3. Upright ottoman carefully

Cleaning Instruction: Clean finished parts with a damp cloth using a mild dishwashing liquid and water solution. Polish the finish with soft cloth and an industry recognized furniture polish.