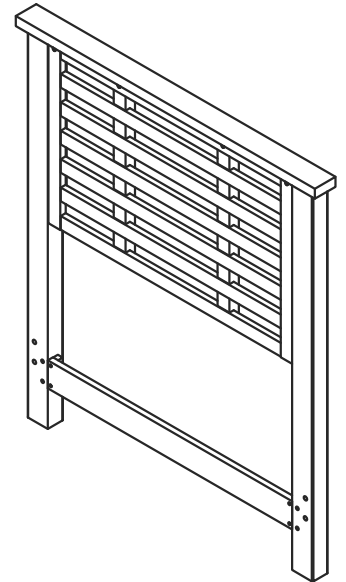


88 5410 401 Queen Headboard



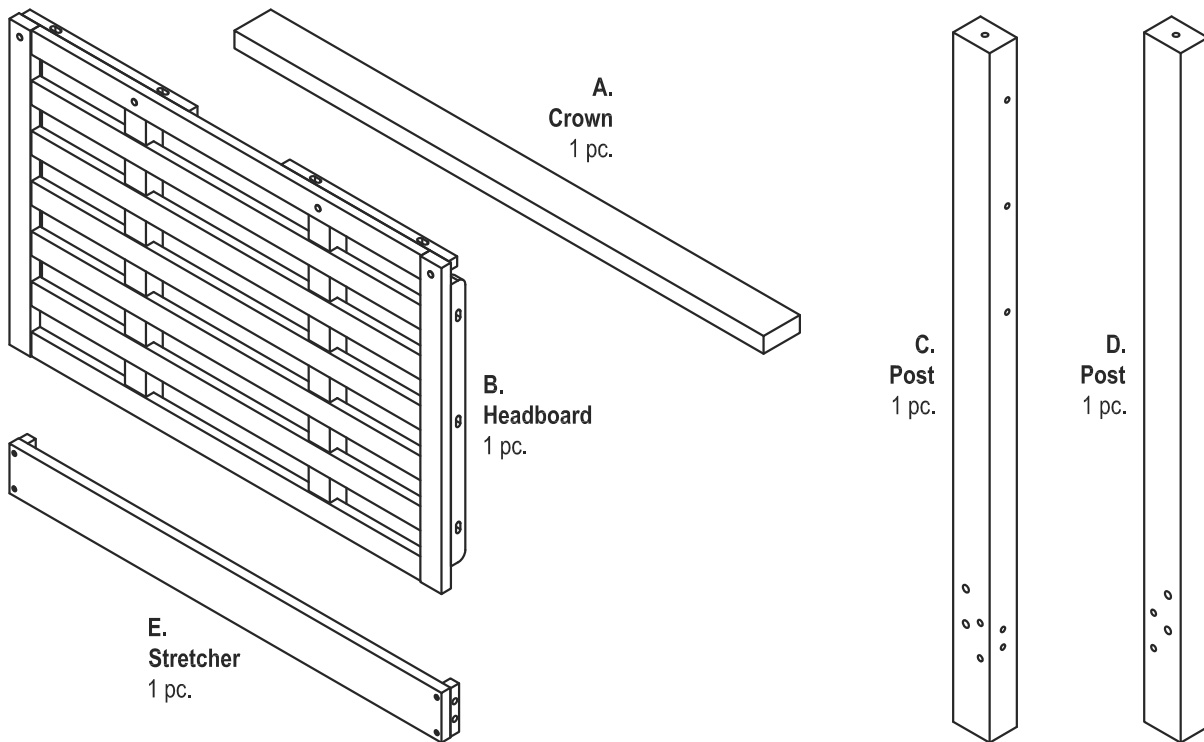
IMPORTANT NOTE

Carefully remove all the parts from the carton and put them individually on a soft cloth to prevent scratches or other damages occurring to the parts.

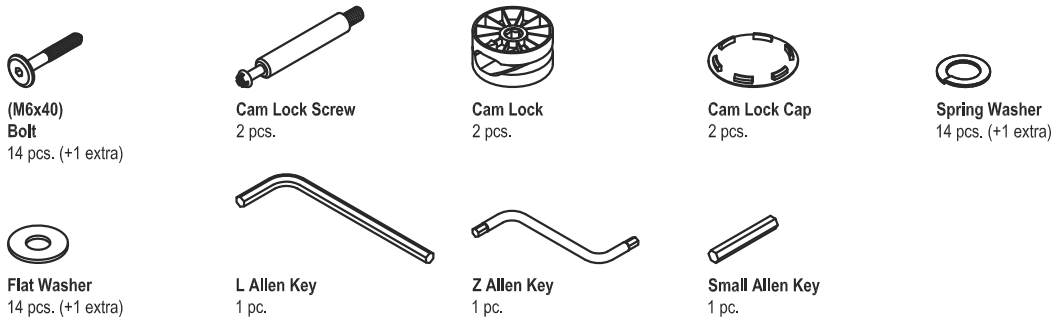
We have taken great care in the design of this product and request that you carefully and strictly follow our assembly instructions to ensure a completed product as it was designed.

Home Styles

Part List



Hardware List



Tools Required For Assembly : Phillips screwdriver

Home Styles Consumer Assistance: www.homestyles-furniture.com,
servicedesk@homestyles-furniture.com, 888-680-7460, 877-831-0319

IMPORTANT

- * Do not tighten up all the bolts until each part is properly assembled.
- * You should keep Allen Key in a safe place as you may need to tighten up the cam lock and the bolts in the future.
- * Use a soft cloth between these parts and the floor.

STEP 1

Insert Cam Lock Screws into the pre-drilled holes of Crown (A).

Insert Cam Locks into the holes of Posts (C) and (D).
(See Figure 1)

Note: Make sure the Cam Lock arrow points to the end of the Posts (C) and (D).

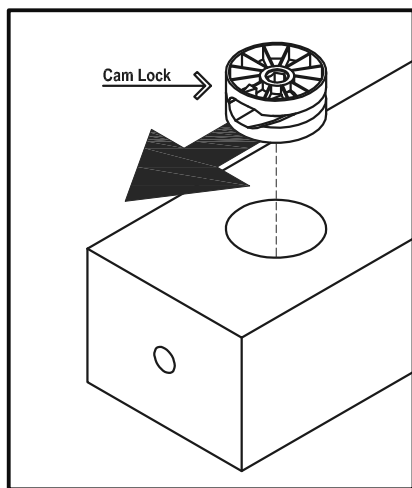
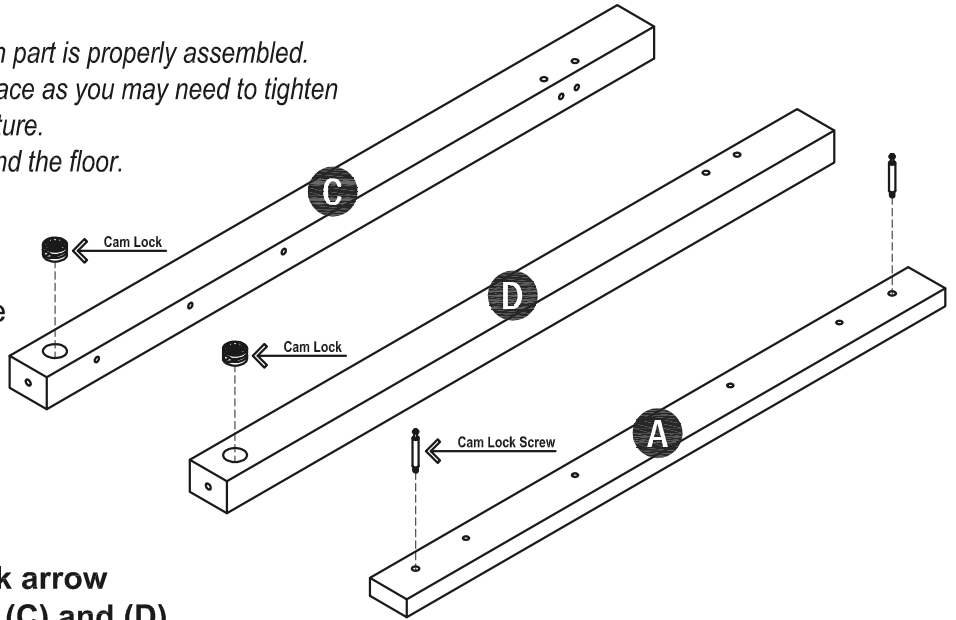


Figure 1

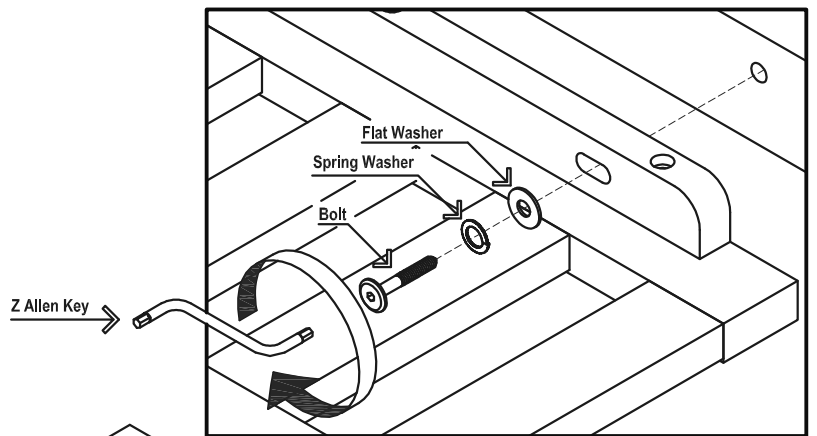
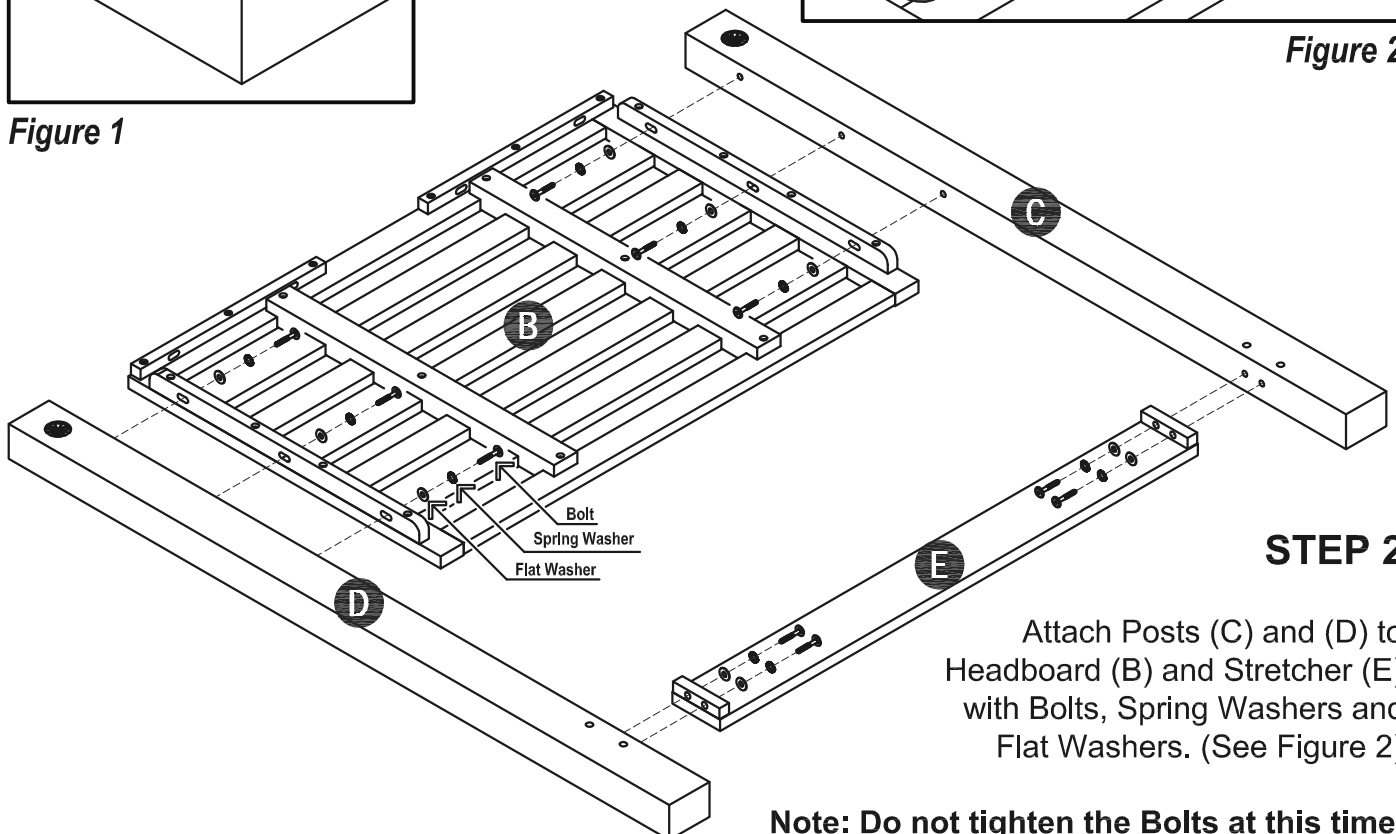


Figure 2



STEP 2

Attach Posts (C) and (D) to Headboard (B) and Stretcher (E) with Bolts, Spring Washers and Flat Washers. (See Figure 2)

Note: Do not tighten the Bolts at this time.

STEP 3

Attach Crown (A) to unit with Bolts, Spring Washers and Flat Washers.

Tighten the Cam Locks with L Allen Key. (See figure 3)

Tighten the Bolts completely with Z Allen Key. (See Figure 4)

Cover the holes with Cam Lock Caps. (See Figure 5).

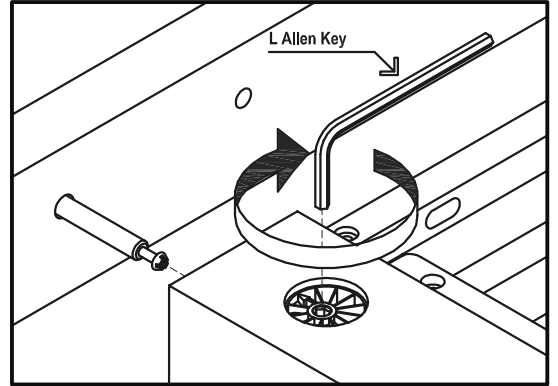


Figure 3

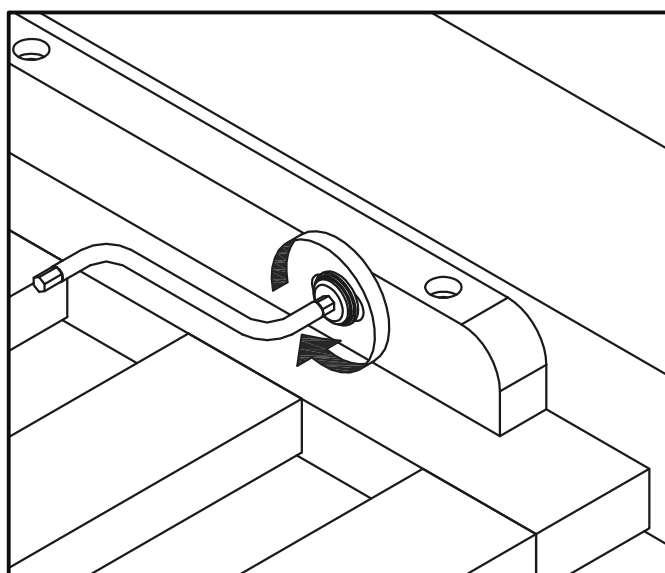
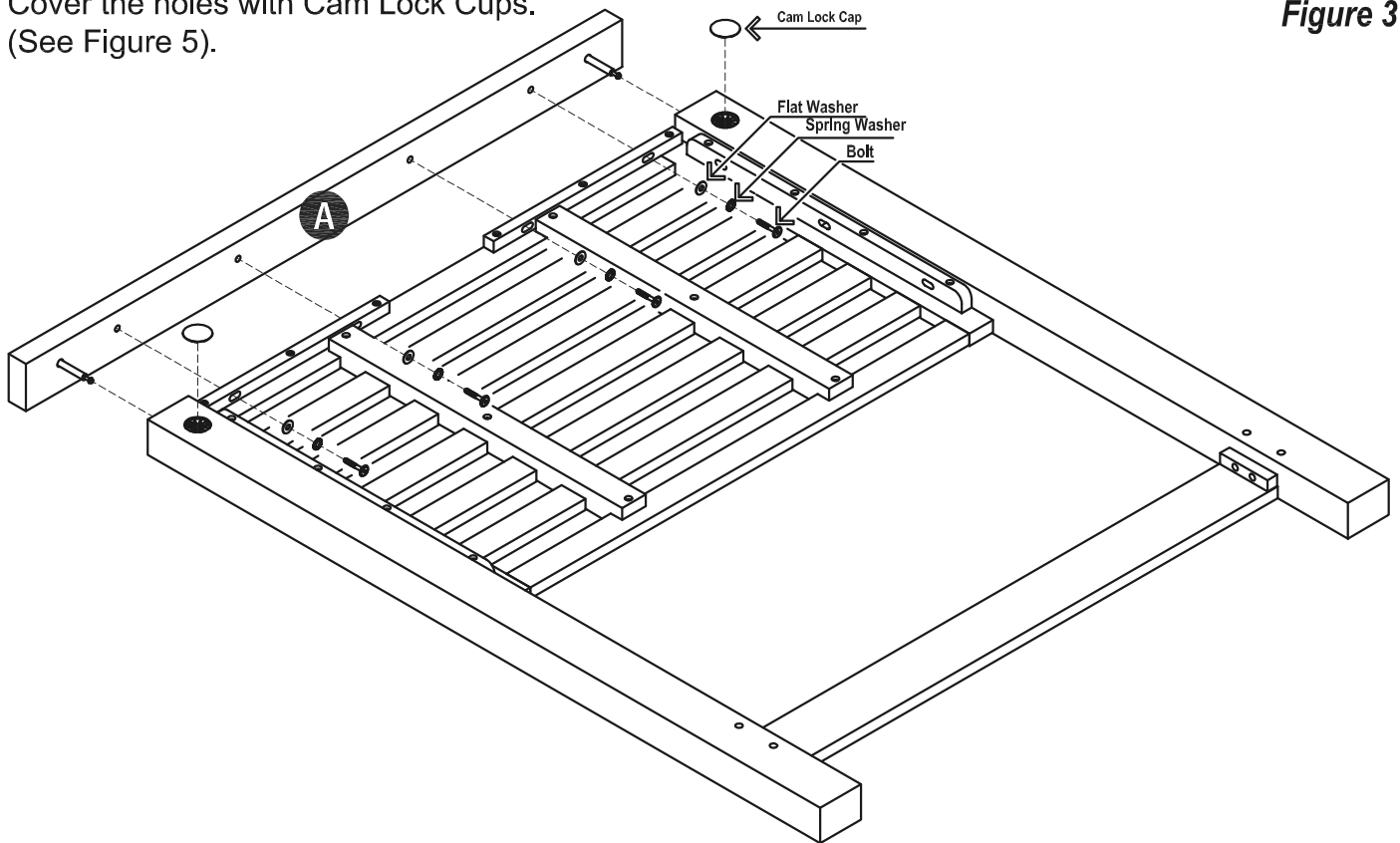


Figure 4

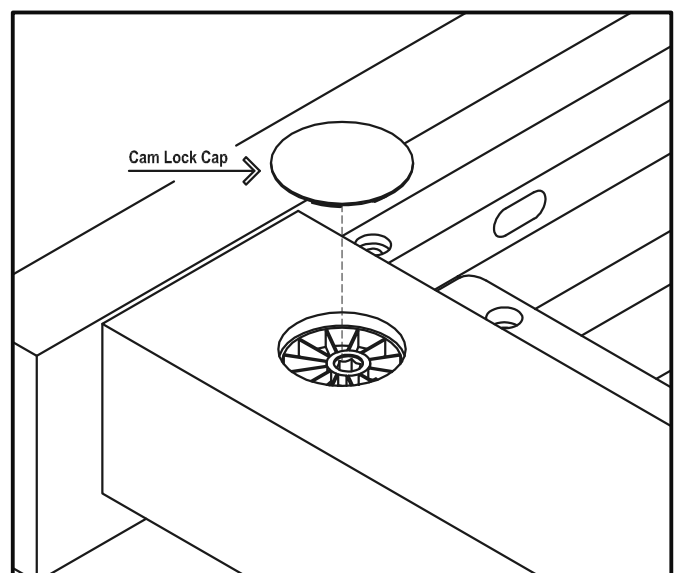


Figure 5

VERY IMPORTANT !!

CARE INSTRUCTIONS

NEVER

USE GLASS CLEANERS ON FINISHED FURNITURE. AMMONIA WILL CHEMICALLY ATTACK THE FINISH.

NEVER

ALLOW LIQUIDS OF ANY KIND TO REMAIN ON THE FURNITURE. ABSORPTION CAUSES PART TO WARP AND SPLIT AND FINISHES TO DELAMINATE.

DO NOT WRITE DIRECTLY ON SURFACE.



PREVENT MARKING

DO NOT PLACE IN DIRECT SUNLIGHT.



PREVENT FADING

DO NOT USE COMMERCIAL WAXES AND POLISHES.



PREVENT YELLOWING

DO NOT PLACE HOT OBJECTS ON SURFACE.



PREVENT FINISH DAMAGE

DO NOT USE RUBBER BASED PLACE MATS.



PREVENT DISCOLORING

TO CLEAN

USE A SOFT CLOTH MOISTENED IN LUKEWARM SOAP AND WATER, THEN BUFF WITH A DRY CLEAN CLOTH.



Home Styles will provide replacements free of charge for missing or damaged hardware or parts within 30 days of purchase. Digital images of the defective parts may be required. If this product was not purchased from an authorized retail affiliate, Home Styles is under no obligation to provide replacement parts. Parts are not available for fully assembled items nor are parts available for sale. Replacements for missing or damaged hardware or parts may be requested at:

www.homestyles-furniture.com/customer_service

Home Styles Consumer Assistance: www.homestyles-furniture.com,
servicedesk@homestyles-furniture.com, 888-680-7460, 877-831-0319