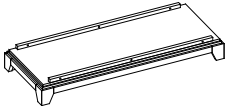
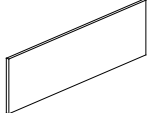
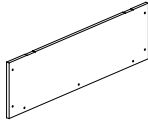
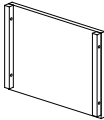
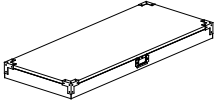





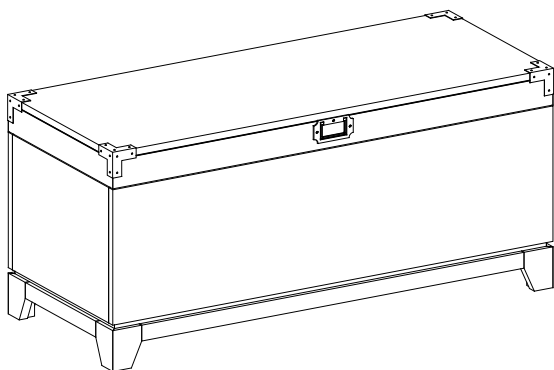


ASSEMBLY INSTRUCTION

STORAGE BENCH

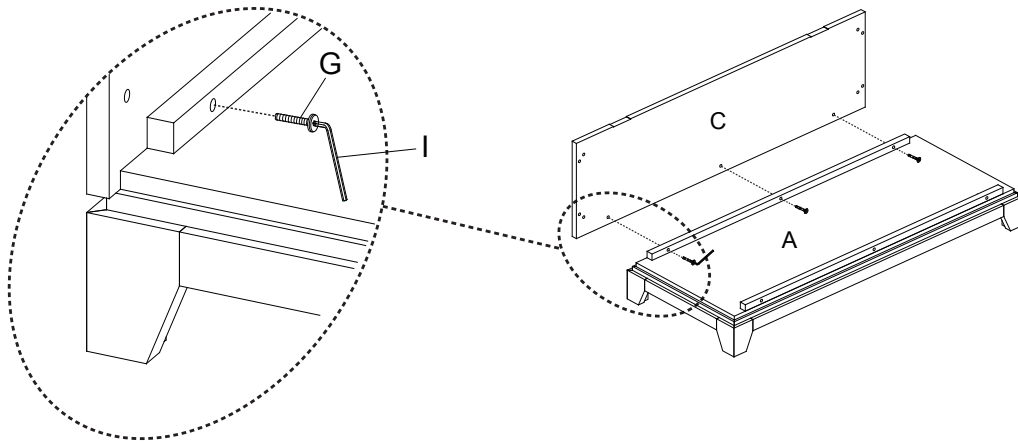
A Bottom Frame  1 PC	B Front Panel  1 PC	C Back Panel  1 PC	D Side Panel  2 PCS
E Top Frame  1 PC	F Dowel ø8*30mm  8 PCS	G Bolt 1/4"*1"  14 PCS	H Screw ø4*15mm  14 PCS
I Allen Key K4  1 PC	J Safety Hinge  2 PCS		



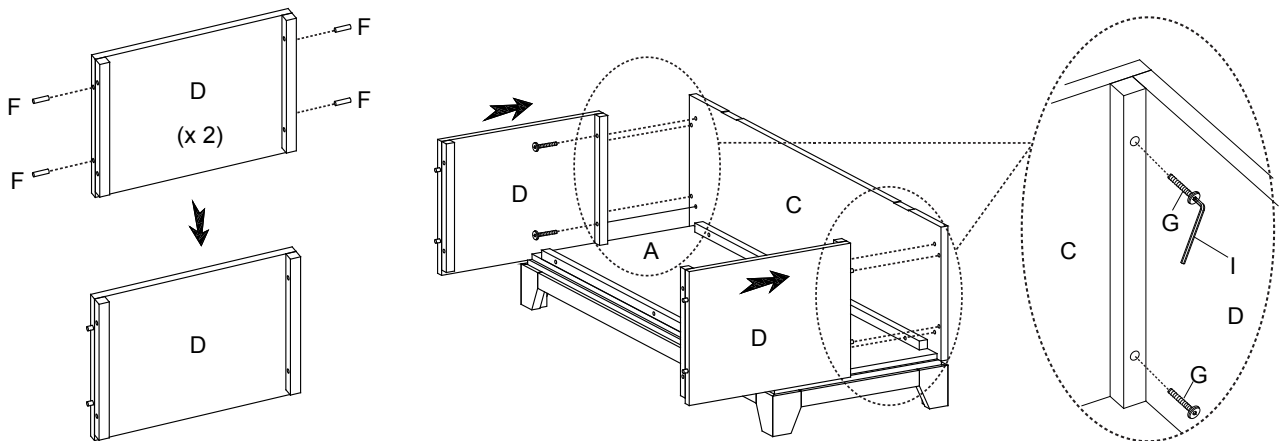
This page lists all the contents included in the box. Please take the time to identify the hardware as well as the individual components to this product. As you unpack and prepare for assembly, place the contents on a carpeted or padded area to protect them from damage.

1

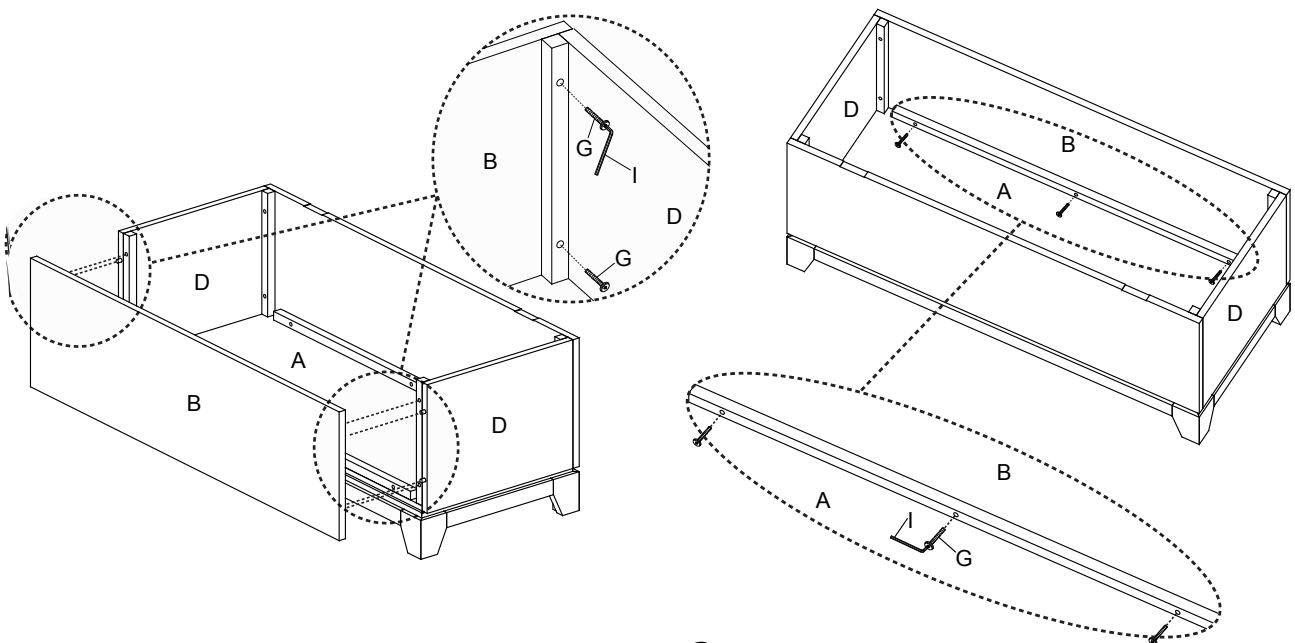
Attach Back Panel (C) to Bottom Frame (A) using Bolts (G) with Allen Key (I).

**2**

Attach Dowel (F) to the Side Panels (D). Attach Side Panels (D) to the Back Panel (C) using Bolts (G) with Allen Key (I).

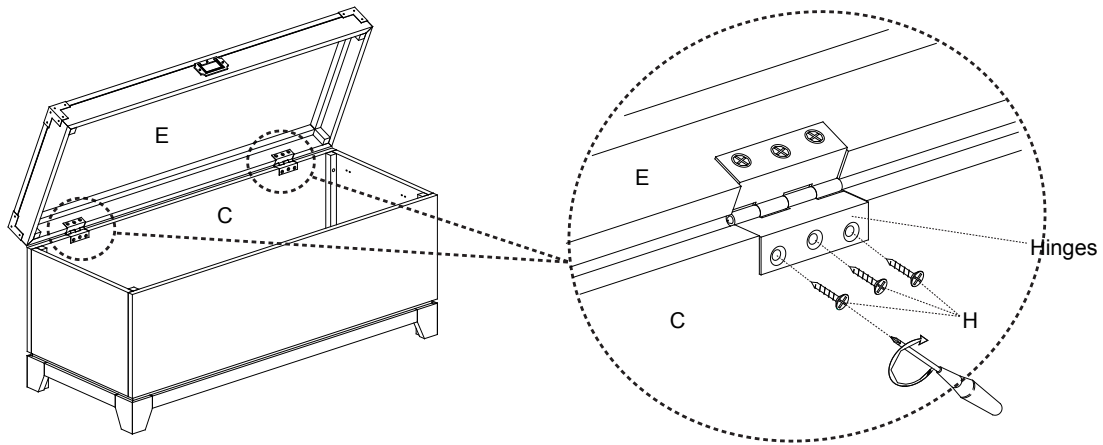
**3**

Attach Front Panel (B) to the Side Panels (D) using Bolts (G) with Allen Key (I) and use Bolts (G) to attach Bottom Frame (A) with the Front Panel (B).

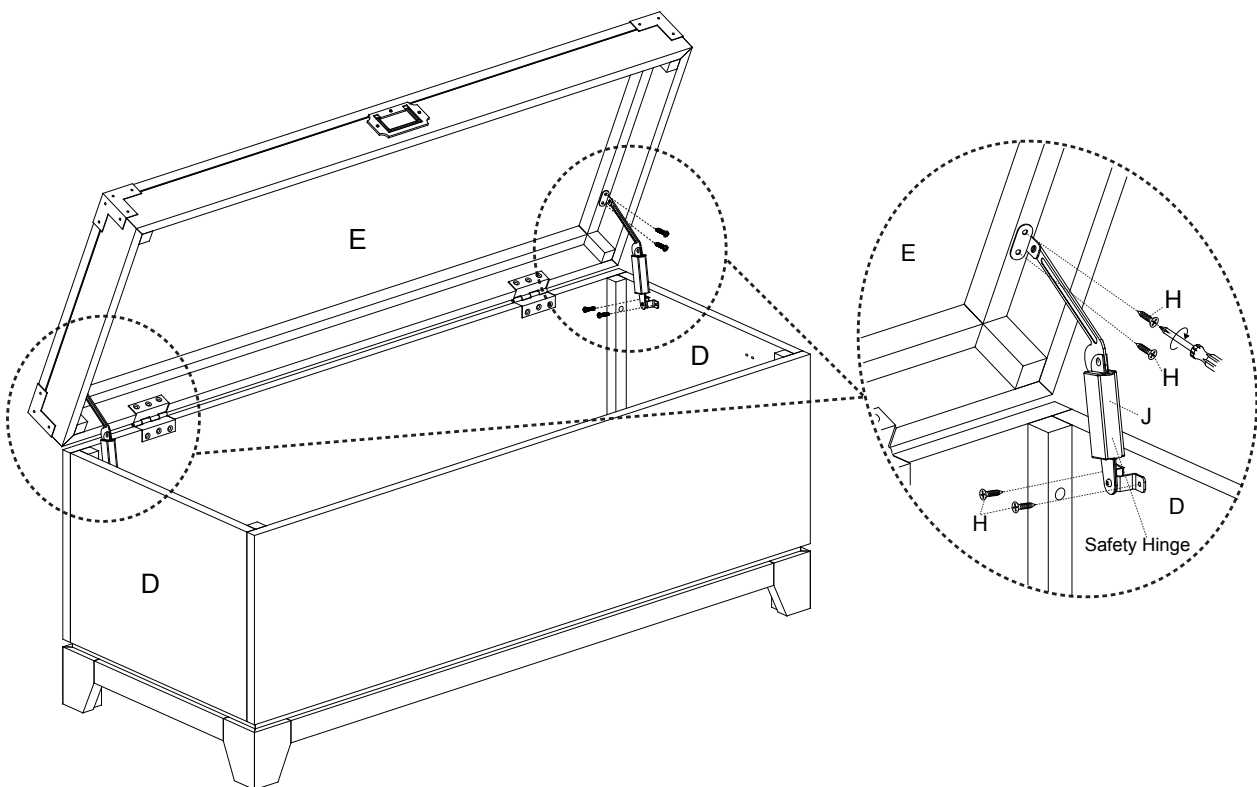


4

Attach Top Frame (E) to the Back Panel (C) using Screws (H).

**5**

Use Safety Hinges (J) with Screws (H) to Side Panels (D) and Top Frame (E).



Cleaning & Care

Treat surface with care. Surface is resistant to scratches but is not scratch resistant. Clean surfaces with a dry or damp soft cloth. Do not use abrasive cleaners. Hardware may loosen over time. Periodically check that all connections are tight.