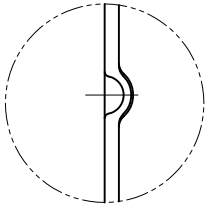


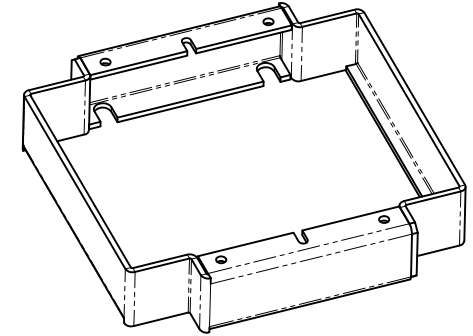
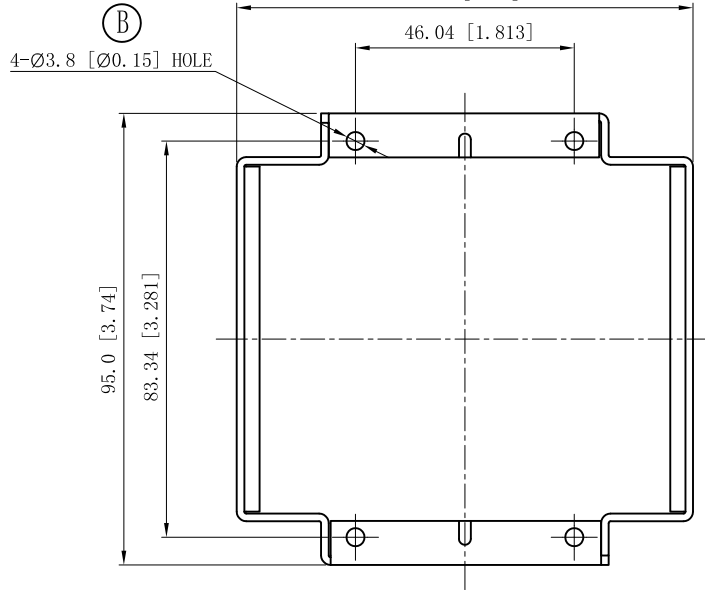
| | |
|---------------------------------------|--------|
| SIDES | BOTTOM |
| | |
| | |
| | |
| 4 PCS #6-32×2 screws , per polybag | |
| Material:Steel-0.0625"-G60 Galvanized | |



WELDING STYLE DETAIL VIEW B



2 PLACES SPOT WELDING



| |
|-----------------------|
| DESCRIPTION |
| |
| TRADE REFERENCE TERMS |
| |

This data sheet is for reference only .GARVIN INDUSTRIES reserves the right to make changes to the design without prior notice.

| |
|------------------|
| STANDARD PACKING |
| 25 PCS |

| | | |
|--------------------------|---------|-----|
| GARVIN INDUSTRIES | | |
| TITLE | | |
| SIZE | DWG NO. | REV |
| A4 | DEX-275 | B |
| DATA SHEET | | |