



6032 SH 3P Residential Shower Installation Instructions

Gelcoat & Solid Surface Bathware

Tools/materials you might need for proper installation

- 6D galvanized screws
- 100% silicone caulking
- caulking gun
- acrylic latex caulk
- shims
- tape measure
- 1/8" drill bit
- Phillips screw driver
- cardboard
- china marker or grease pencil
- furring strips
- construction adhesive
- long spirit level

READ ALL INSTRUCTIONS

1. The back of a fiberglass unit is not waterproof. Unit must be stored so water will drain off and not accumulate in one spot. Water can penetrate the back laminates and soak the glassed in reinforcement supports causing bulges in the gelcoat surface.

2. Most handling damage is the result of impact blows to the back of the fiberglass units.

3. Never drag a fiberglass unit on any surface. Always transport the unit by hand using (2) people or two wheel dolly.

4. Never let a fiberglass unit drop from any height, not even an inch or stress cracks are likely to occur.

5. Placing objects inside the unit can cause scratches or nicks to the finished surface. *Do not use the shower as a trash receptacle!* Always place a drop cloth or cardboard on the floor when working inside the shower.

6. Never clean fiberglass gelcoat surface with metal tools of any kind, including razor blades.

PLANNING YOUR INSTALLATION

1. Gather the items needed (listed above).

2. Carefully remove the old bathtub at the installation site. The replacement showers are 77" tall so wallboard should be removed on all three walls to at least this height. Measure the framing pocket to insure the framing area and stud walls are square and measures: 60 1/4" wide x 33 1/4" deep. The floor must be clean, solid, and level. Relocate drain in floor if required. There is a 6" cutout around the drain area. See *Figure 1*

Note: Unit will not install properly if framing pocket is not square and of proper size.

See framing diagram in *Figure 1* for more information.

3. Review the framing diagram in *Figure 1*. Modify existing framing if required. For new construction, build framing structure in accordance with product dimensions and notes shown in the framing diagram.

4. The shower base will be installed, leveled, and fastened to the framing before the walls are installed. Shimming is recommended. See *Figure 2*

5. Always place cardboard or a drop cloth on the shower floor and top of seat to protect the finished surface from scratching and damage.

6. If the unit you are installing has been ordered with a grab bar, the mounting location for the bar has been template. The installer must mount the grab bar after the shower is installed. Do not install the bar until 72 hours have passed to allow the silicone caulking time to cure.

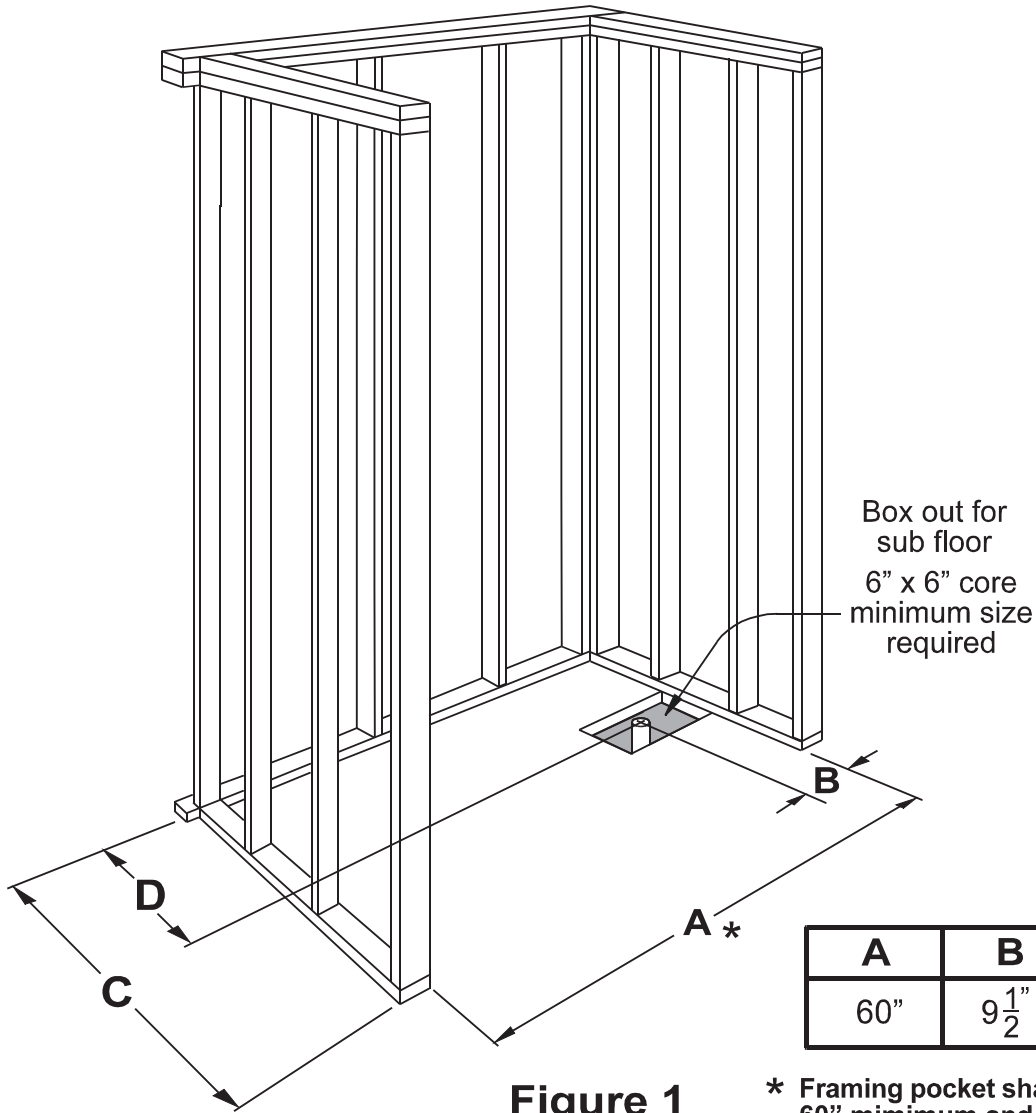
7. When installed, the wall sections will not be mechanically fastened together, or to the shower base. The wall sections will be installed tight to each other and the shower base with the silicone in the seams providing a water resistant seal. These positions will be maintained when the shower flanges are fastened to the framing. The base must be solidly installed so the seams between the shower base and wall sections will not separate, allowing water to penetrate the wall cavity.

INSTALLATION WARNING: *This model is not designed to be installed as a one piece unit. The base shall be self supported with provided wood shims to support the shower base, and fasteners shall support the flanges prior to installation of the wall sections. This procedure will ensure caulked joints or seams will not separate, allowing water to penetrate the wall cavity. FAILURE TO COMPLY WITH INSTALLATION INSTRUCTIONS MAY VOID YOUR WARRANTY.*

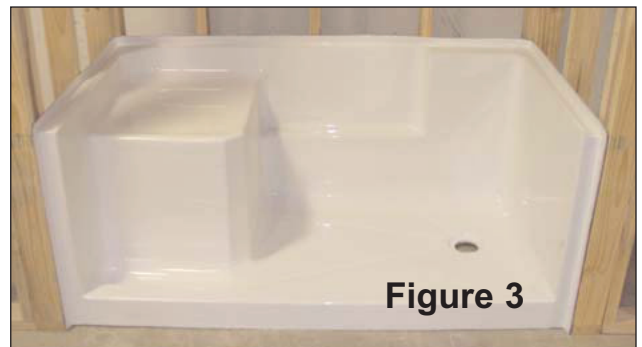
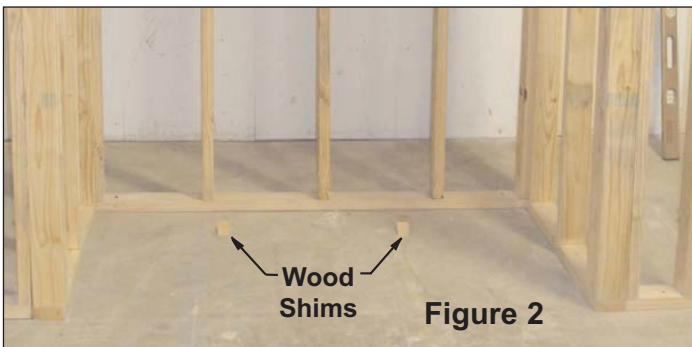
INSTALLATION INSTRUCTIONS

1. Carefully remove the three parts from the packaging and inspect the shower closely for any shipping damage. Set the wall sections off to the side and move the shower base in

FRAMING DIAGRAM FOR 3 PIECE SHOWER



* Framing pocket shall be required to provide 60" minimum and 60 1/4" maximum width x 33 1/4" deep





6032 SH 3P Residential Shower Installation Instructions

Gelcoat & Solid Surface Bathware

front of the framing pocket opening.

2. Use care when handling the shower parts to avoid scratches or stress cracks from excessive flexing.

3. Install the drain fitting on the shower. Follow drain manufacturers instructions. The manufacturer is not responsible for leaking drain connections.

4. Place cardboard or a drop cloth on the shower floor and on the top of the seat to avoid scratching the surface.

5. Locate wood shims in the framing pocket. Carefully measure to ensure the proper placement of these shims so they are supporting the back edge of the shower base. These shims may be placed after the base is installed if the framing is open as shown in *Figure 2*.

6. Carefully place the shower base into the framed pocket. Do not slide shower base on drain fitting. Use care not to knock the wood shims loose when moving the shower base into the installed position. See *Figure 3*

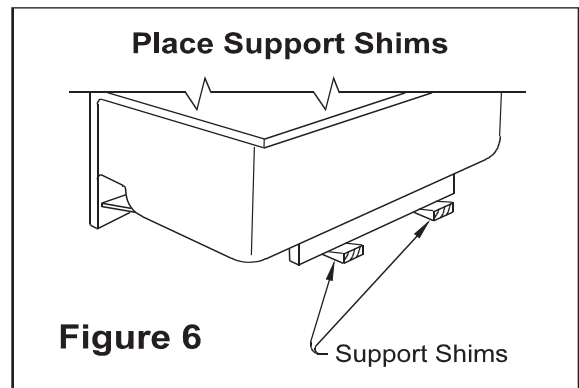
7. Plumb and level the base. Place a level against the front vertical surface, and on top of the threshold. See *Figures 4 and 5*

8. Check the wood support shims to be certain they are tightly wedged in between the floor surface and the back leg of the shower. Once the shims are in place glue or nail the shims to the sub floor to eliminate any movement. See *Figure 6*

9. Double check again to assure the shower base is level. Pre-Drill 1/8" pilot holes through the fiber glass nailing flange every 16" horizontally, and every 8" vertically. There are holes on the underside of the wall. There are alignment pins in the shower base that will insert into the bottom of the wall. Horizontal holes must correspond with the vertical studs. See *Figure 7*

10. *NOTE: Furring strips may be used to assure solid contact between the fiberglass mounting flange and the studs.*

Using 6D galvanized screws, secure the shower base to the framing. Tighten the screws snug and tight to the gelcoat surface, but be careful not to over tighten and break the fiberglass flange.





6032 SH 3P Residential Shower Installation Instructions

Gelcoat & Solid Surface Bathware

11. The shower drain connection may be made at this time. Install the drain pipe into the fitting, following the instructions provided with the drain fitting.

12. Install the valve wall FIRST. Set the valve wall onto the shower base. You will note the valve wall has a molded soap dish. See *Figure 9*

There are holes on the underside of the wall. There are alignment pins in the shower base that will insert into the bottom of the wall.

Align the vertical grout lines at the seam where the wall panel meets the base.

Assure the seam is tight with no large gaps present.

The wall panel should be temporarily clamped in place to prevent shifting.

13. Carefully measure and mark the location of the water control valve on the side wall panel. Read the installation information provided by the valve manufacturer.

Mark locations for the valve hole(s) on the panel. If valve is already installed, keep in mind the importance that the grout lines on the wall panel line up with those on the shower base. Carefully mark the hole(s) on the wall panel.

After the valve hole(s) are cut, lift the wall back into place to trial fit. Adjust holes or valve if necessary, keeping in mind the need to make sure the seams and grout lines continue to line up.

When satisfied with the fit, clamp the wall in place.

14. Lift the seat side wall into place. There are holes on the underside of the wall. There are alignment pins in the shower base and on the vertical seam. Carefully tilt the wall forward to match the front alignment pin on the shower base to the corresponding hole on the underside of the wall.

Lower the back side of the wall into place making sure the back alignment pin in the shower base and the alignment pin on the vertical seam match up to the corresponding hole. Align the center vertical seam with the valve panel. See *Detail in Figure 10*

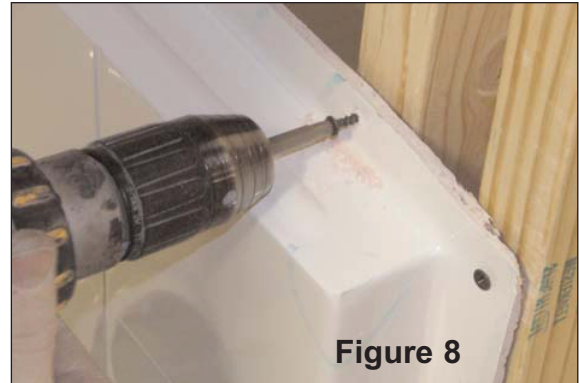


Figure 8



Figure 9

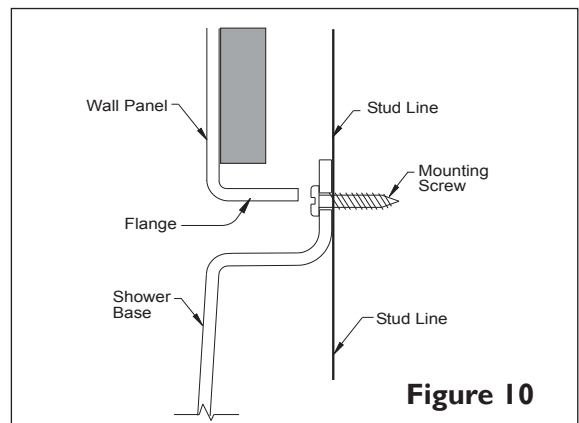


Figure 10

Align the vertical grout lines at the seam where the wall panel meet the base, and the horizontal lines at the vertical seam where the walls join.

Assure all seams are tight with no large gaps present.

The wall panel should be temporarily clamped in place to prevent shifting.

15. Using a black China Marker; (or grease pencil) place a 1" line across the seams in the grout lines. DO NOT use an



6032 SH 3P Residential Shower Installation Instructions

Gelcoat & Solid Surface Bathware

ink marker, as this may stain the gelcoat.

Mark across the seams in several locations on both the vertical center seam, and the seam where the wall panels meet the shower base. See *Figure 11*

NOTE: These marks are intended to easily show and assure the grout lines match up exactly during the wall fastening step.

16. Measure, and mark locations for mounting holes on the flanges of the wall panels. Mark horizontal so each hole matches up with a stud, (16" on center). Mark every 8" on center for the vertical flanges at the front of the unit. Drill a 1/8" diameter screw hole at each mark.

Remove the wall panels and set them off to the side.

PRAXIS RECOMMENDED CAULKING

ALL GELCOAT FINISH MODELS:

100% RTV silicone adhesive caulk- clear, or matching white or bone for inside the seam. Also acrylic caulk for the surface joint.

ALL SOLID SURFACE FINISH MODELS:

Two caulks recommended for best results: For seams (areas that will not be visible) 100% RTV clear silicone adhesive. The function of this caulk is to mechanically bind the shower parts together.

For Visible Surfaces - Safasil matching caulk for cosmetic function to blend with surface and erase seams (available through Praxis).

17. A 3/8" thick bead of RTV silicone adhesive must be placed halfway between the vertical shower mounting flange and the inside of the shower, as shown in *Figure 12*. See close up view in *Figure 13*

Run an unbroken bead of caulk the entire length of the halfway point and circle each alignment pin.

18. Set both the left and right side walls onto the shower base. See *Figure 14*. See detail in *Figure 15*.

19. Apply slight pressure on the walls to assure a tight seam. As you do this, some silicone may squeeze out at the seams. Carefully align both the vertical and horizontal grout lines, using the marks applied earlier.



Figure 11



Figure 12

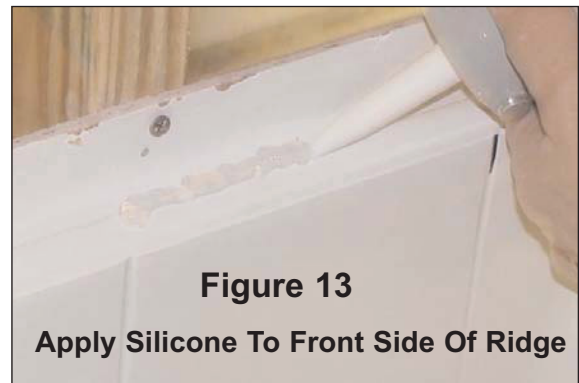


Figure 13

Apply Silicone To Front Side Of Ridge



6032 SH 3P Residential Shower Installation Instructions

Gelcoat & Solid Surface Bathware

20. Once the grout lines are aligned and the meeting seams are tight begin to fasten the walls to the framing pocket using 6D galvanized screws. See *Figure 16*

Start at the top vertical seam at the center of the back wall. Install the first screw through the top horizontal flange at the top of the wall. Alternate from one wall panel to the other and work toward each corner, fastening both walls at the same time. (Do not fully fasten one wall first).

During the fastening process, be careful to keep both the vertical and horizontal grout lines in alignment with each other.

21. Continue fastening alternating between each wall from the corners out to the front of the unit.

Assure that the vertical and horizontal grout lines remain in alignment. Fasten the vertical flanges at the front on both walls.

Install finish trim around the water control valve, per the manufacturers provided instructions.

22. Apply acrylic latex caulk to finish seams. Refer to page 5 of this manual for caulking recommendations for visible surfaces. Smooth caulk and clean away excess before it cures.

© 2014, The Praxis Companies, LLC
435 Industrial Rd., Savannah, TN 38372
Customer Service: 800.443.7269
www.praxiscompanies.com



Figure 14

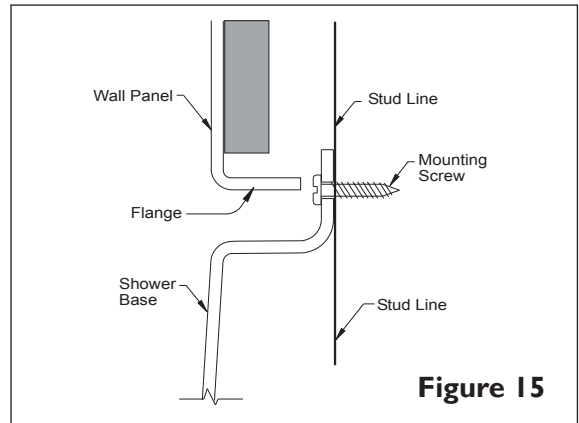


Figure 15

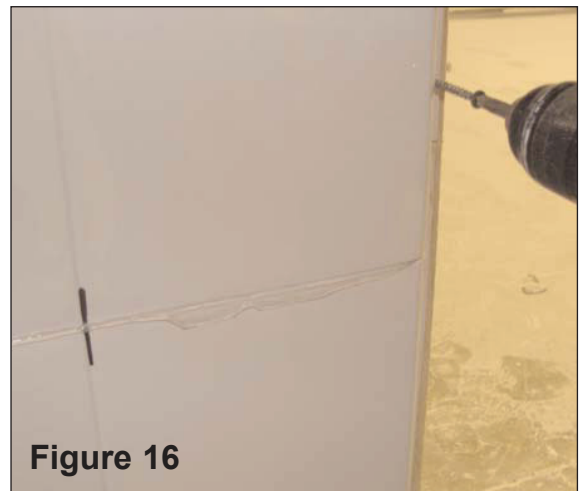


Figure 16