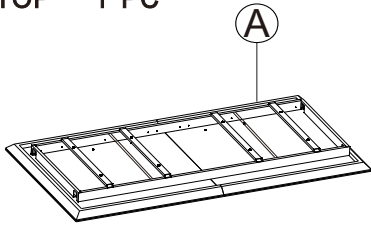


CANNON EXTENSION DINING TABLE ASSEMBLY INSTRUCTIONS

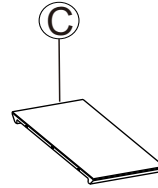
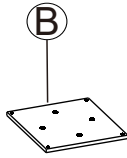


PARTS PACKING CONFIGURATIONS

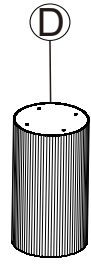
BOX #1
A. TOP 1 PC



BOX #2
B. CONNECTING PLATE 2 PCS
C. EXTENSION LEAF 1 PC



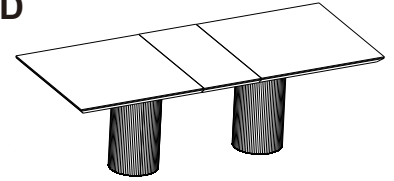
BOX #3
D. LEG 2 PCS



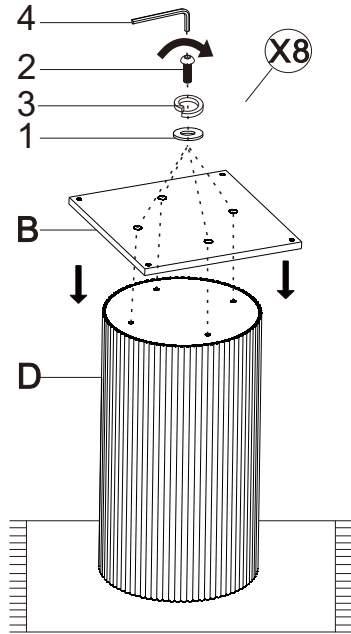
HARDWARE KIT PACKED IN BOX #3

NO.	DESCRIPTION	IMAGE	QTY
1	FLAT WASHER(M8)		16 PCS
2	ALLEN BOLT(8x40mm)		16 PCS
3	LOCK WASHER(M9)		16 PCS
4	ALLEN KEY(S5)		1 PC

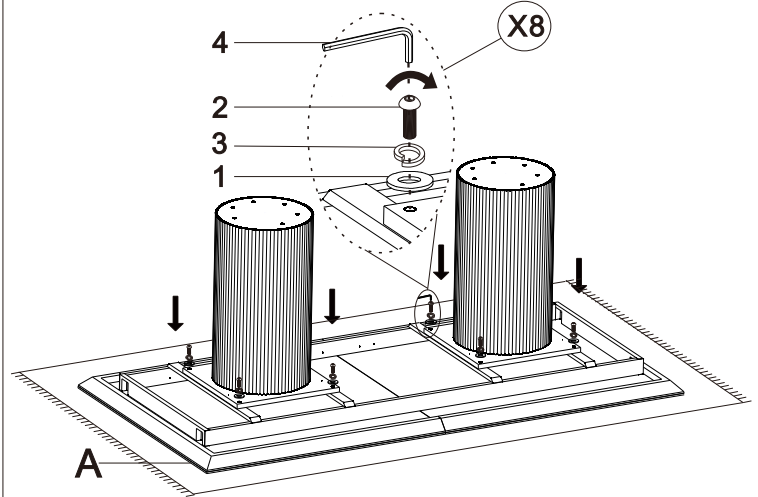
FULLY ASSEMBLED



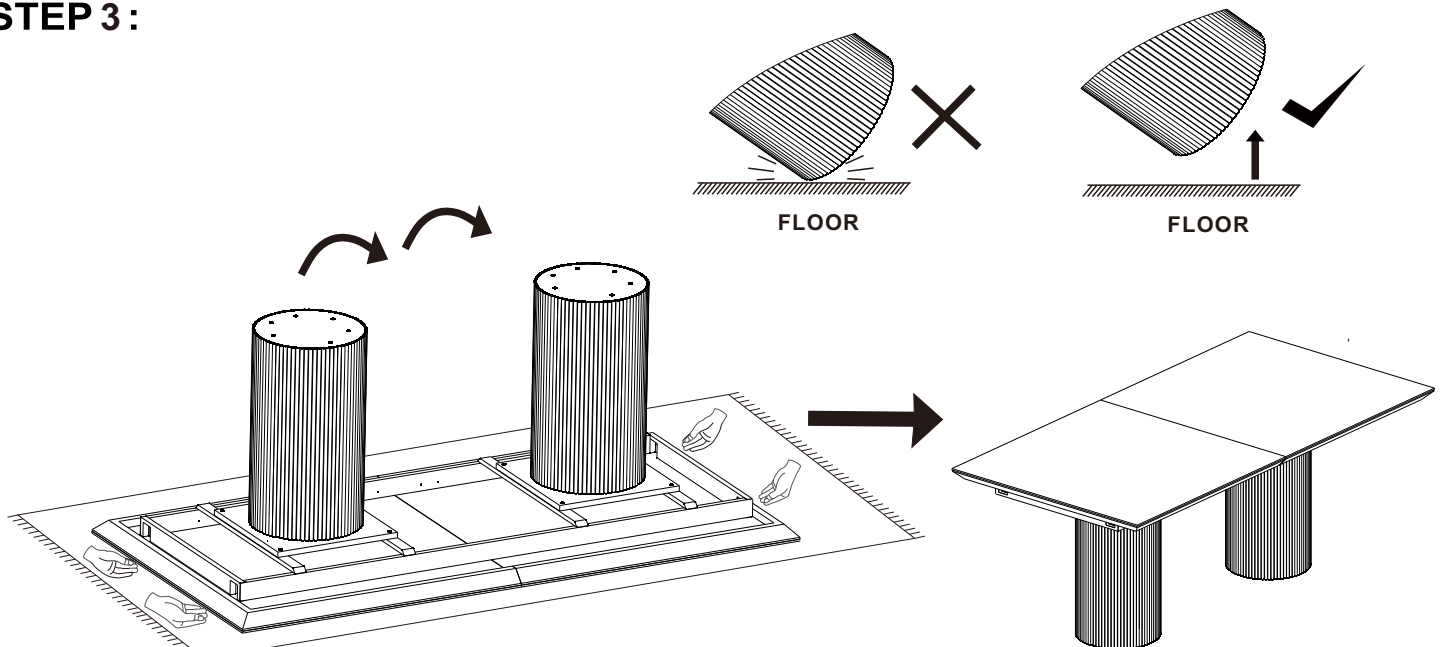
STEP 1:



STEP 2:



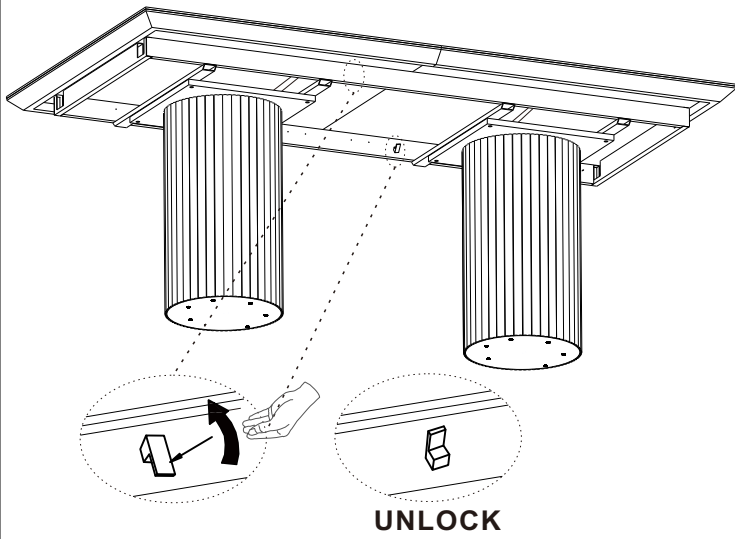
STEP 3:



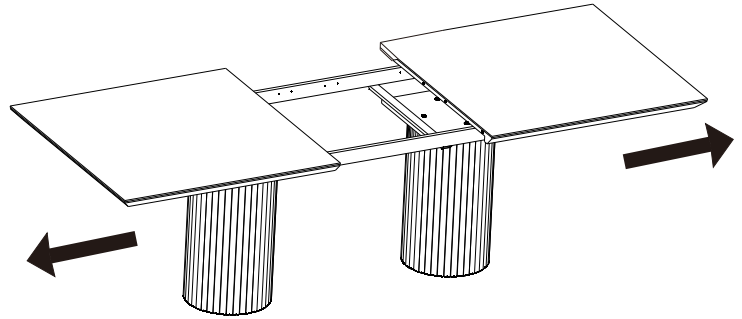
CANNON EXTENSION DINING TABLE ASSEMBLY INSTRUCTIONS



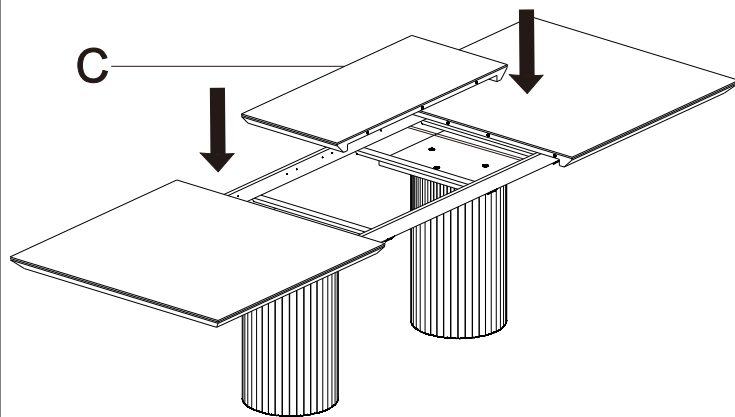
STEP 4:



STEP 5:

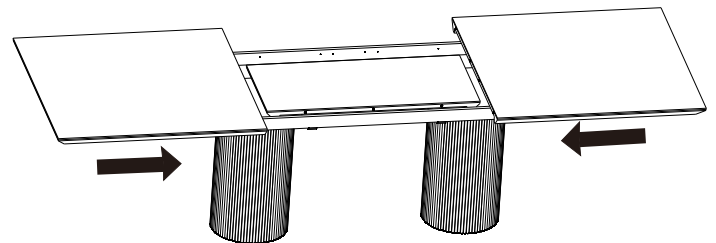


STEP 6:

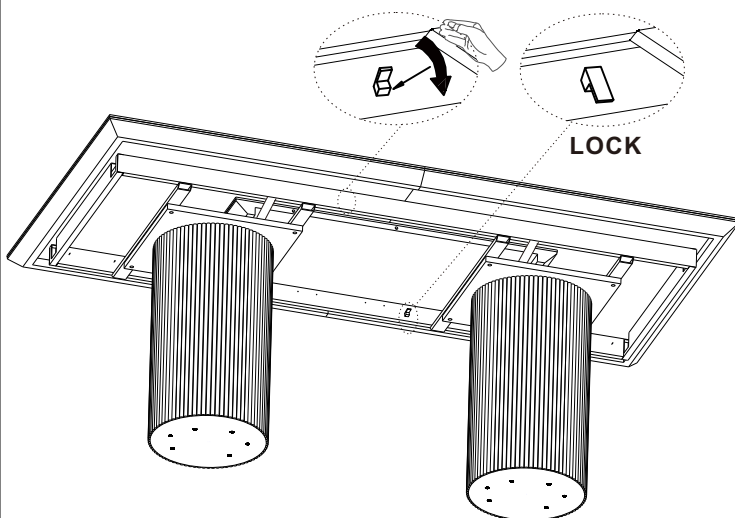


EXTENSION LEAF STORAGE LOCATION

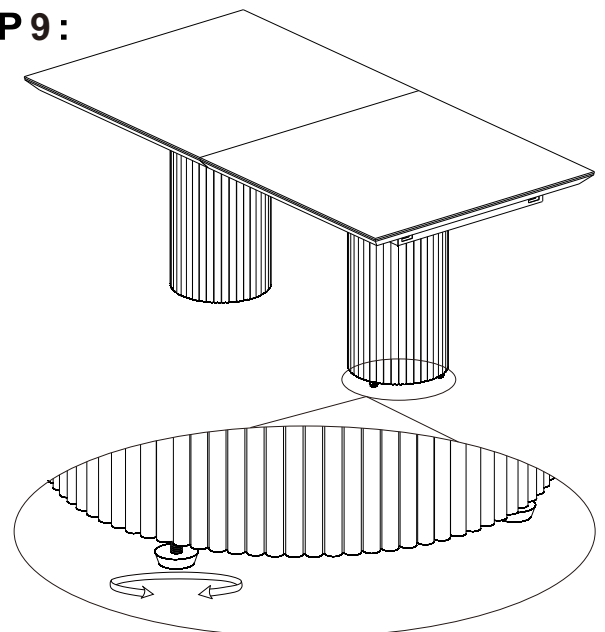
STEP 7:



STEP 8:



STEP 9:



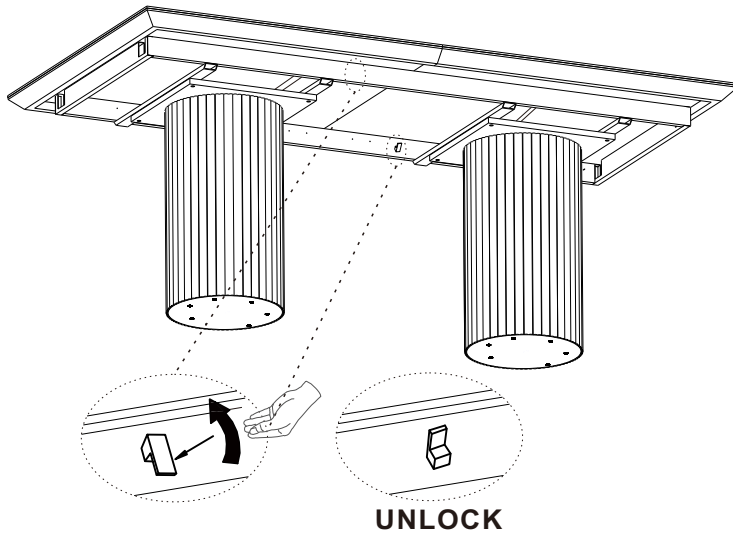
ASSEMBLY COMPLETE

CANNON EXTENSION DINING TABLE ASSEMBLY INSTRUCTIONS

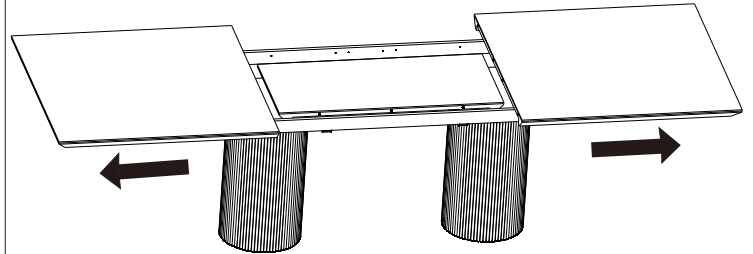


EXTENSION LEAF INSTALLATION

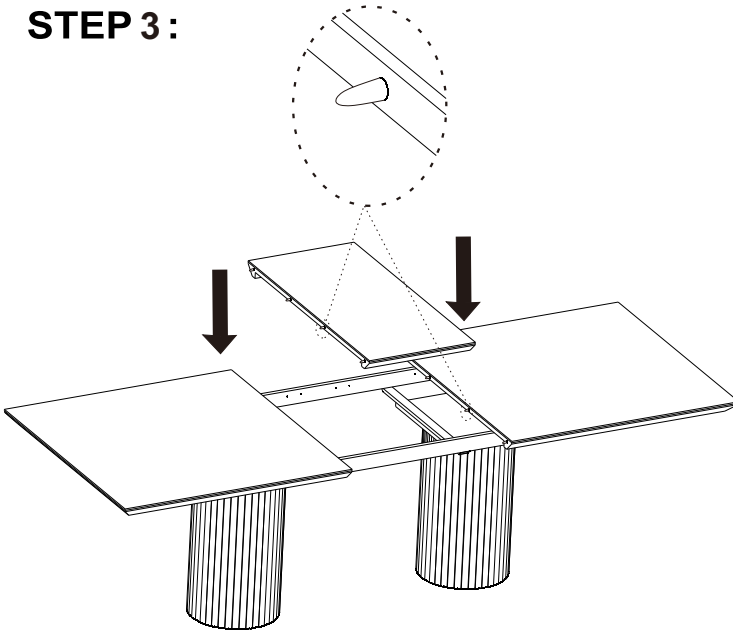
STEP 1:



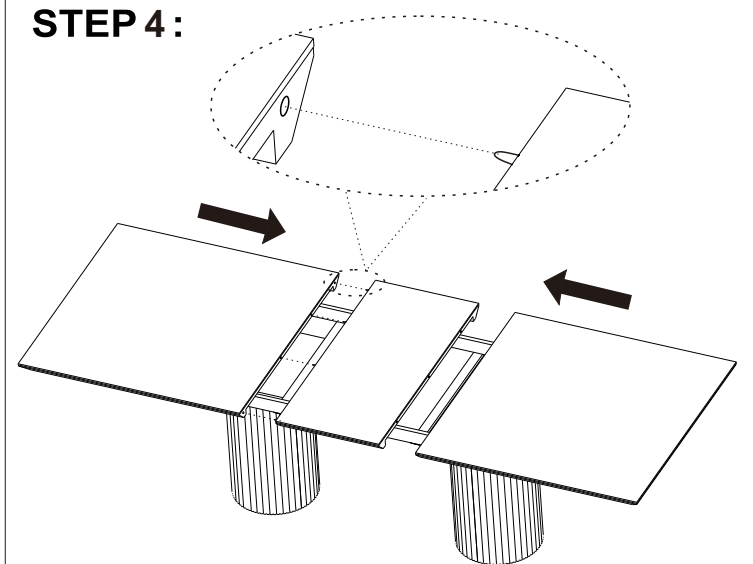
STEP 2:



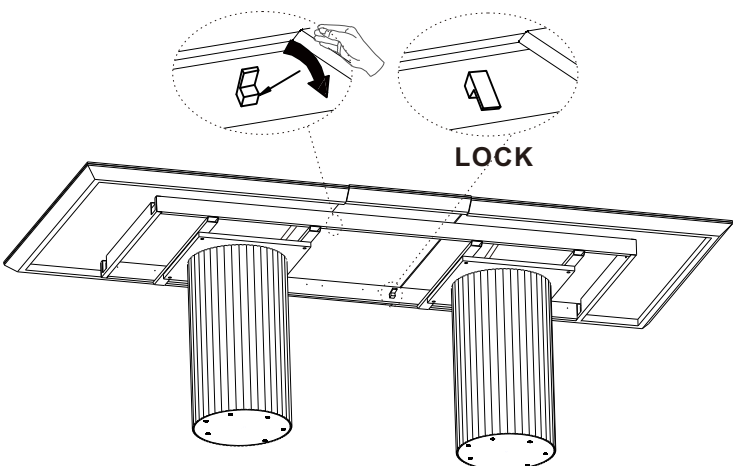
STEP 3:



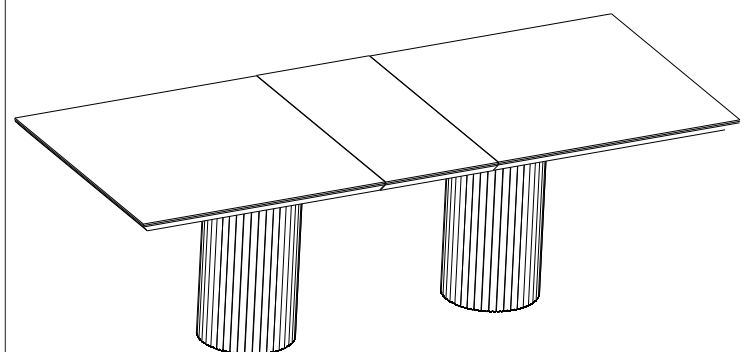
STEP 4:



STEP 5:



STEP 6:



ASSEMBLY COMPLETE