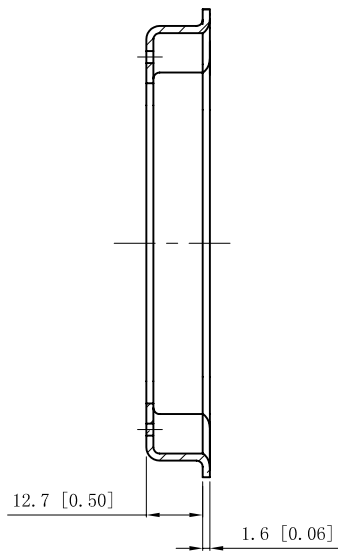
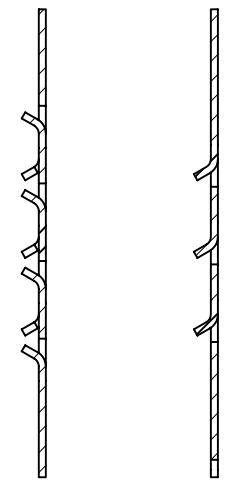
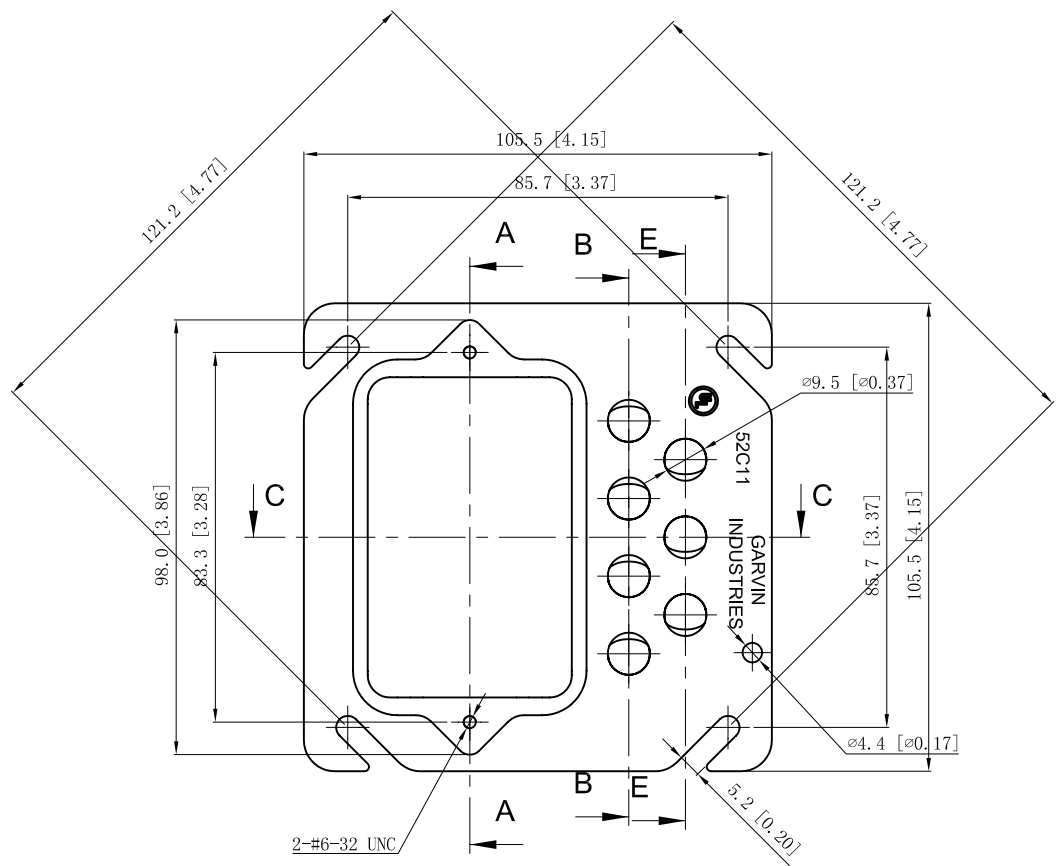


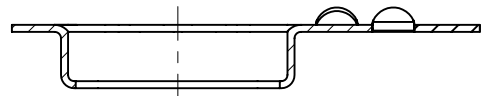
SIDES	BOTTOM
Material: Steel-0.0625"-G60 Galvanized	



VIEW A-A



VIEW B-B VIEW E-E



VIEW C-C

This data sheet is for reference only .GARVIN INDUSTRIES reserves the right to make changes to the design without prior notice.

DESCRIPTION
TRADE REFERENCE TERMS

STANDARD PACKING
25 PCS

TITLE			GARVIN INDUSTRIES	
4" SQ. "OFFSET" DEVICE RING				
SIZE	DWG NO.	52C11	REV	C
A4		DATA SHEET		