

Installation and Care Guide

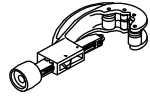
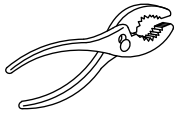
Diverter or Transfer Valve

Français, page "Français-1"
Español, página "Español-1"

THE BOLD LOOK
OF **KOHLER**®

1205548-2-D

Tools and Materials

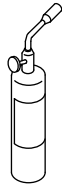


Tubing Cutter

Thread Sealant



Hex Wrench



Propane
Torch



Solder

Plus:

- 1/2" Piping or Copper Tubing for outlets
- 3/4" Piping or Copper Tubing for inlets
- 1/2" NPT Plug

Before You Begin

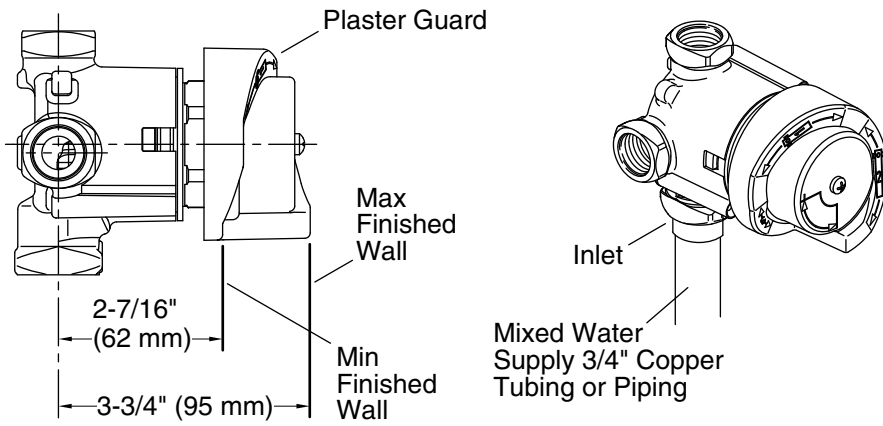


WARNING: Cancer and Reproductive Harm –
www.P65Warnings.ca.gov

IMPORTANT! Risk of product damage. Do not apply direct heat to the valve. Excessive heat will damage the plastic components and plaster guard.

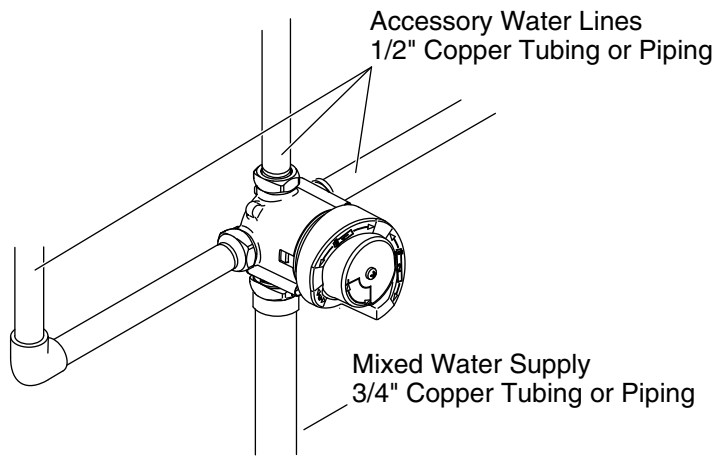
IMPORTANT! This valve is not intended to be used as a shut-off valve. If less than three accessories will be installed, do not plug any outlets without completing the two-way conversion.

- Observe all local plumbing and building codes.
- Do not remove the plaster guard until instructed to do so.
- A mixed water supply is required for this valve.
- Read these instructions and plan the installation before beginning. Component location, spacing, and situational requirements can vary.
- Shut off the water supply.
- Inspect the waste and supply tubing; replace if necessary.



1. Prepare the Site

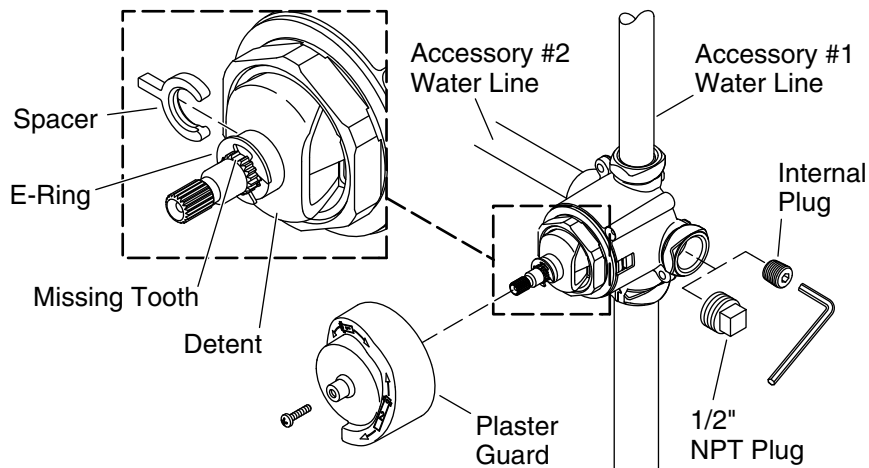
- Provide a 2-7/8" (73 mm) to 3-1/8" (79 mm) diameter hole in the wall material for the plaster guard.
- Route a 3/4" mixed water supply line to the transfer valve location.
- Apply thread sealant to the inlet port threads and connect the water supply to the valve inlet.
- **Two-Way:** If two accessories will be attached to the valve, go to the "Two-Way Installation" section.
- **Three-Way:** If three accessories will be attached to the valve, go to the "Three-Way Installation" section.



2. Three-Way Installation

IMPORTANT! Do not remove the internal plug from the valve body for three-way installations. The plug connects the left and right ports allowing either to be used for an additional accessory.

- ❑ Install 1/2" copper tubing or piping for all accessories. Securely fasten the piping and outlet ells to the framing.
- ❑ Install temporary 1/2" nipples in the outlet ells so they extend a minimum of 2" (51 mm) beyond the finished wall.
- ❑ Turn on the water supply to the valve and check for proper operation and leakage. Once everything is verified, turn off the water.
- ❑ Install caps on the temporary bath and shower nipples. Turn on the water and check all connections for leaks. Once no leakage is verified, turn off the water.
- ❑ Complete the finished wall.



3. Two-Way Installation

IMPORTANT! This valve is not intended to be used as a shut-off valve. Do not plug any outlets without completing the two-way conversion.

Two-Way Conversion

- Temporarily remove the plaster guard.
- Rotate the detent until positioned vertically, as illustrated.
- Verify the missing tooth is oriented up.

IMPORTANT! If the internal plug is not removed, the finished wall will need to be removed to perform this step at a later date.

- Using a 1/4" hex wrench, remove and discard the internal plug from inside the valve body.
- Plug the unused port (left or right) with a 1/2" NPT plug (not included).
- Using pliers, remove the spacer from beneath the detent.
- Push the detent in; ensure the points of the detent engage the notches of the valve cartridge.
- Install the spacer above the detent and under the E-ring.

Install the Two-Way Valve

- Install 1/2" copper tubing or piping for both accessories. Securely fasten the piping and outlet ells to the framing.

Two-Way Installation (cont.)

- Install temporary 1/2" nipples in the outlet ells so they extend a minimum of 2" (51 mm) beyond the finished wall.

IMPORTANT! When testing K-728 operation, water should flow as follows: Accessory 1, Accessories 1 and 2, Accessory 2. If water flows as: Accessory 2, Accessory 2, Accessories 1 and 2; you will need to remove the spacer, rotate the detent 180 degrees; then reinstall the spacer.

IMPORTANT! When testing K-737 operation, water will flow as follows: Accessory 1, Accessory 2. A combined function does not exist.

NOTE: For K-737 only: When the valve is turned midway between the two outlet ports, water flow from the ports will reduce to a trickle.

- Turn on the water supply to the valve and check for proper operation and leakage. Once everything is verified, turn off the water.
- Install caps on the temporary bath and shower nipples. Turn on the water and check all connections for leaks. Once no leakage is verified, turn off the water.
- Reinstall the plaster guard.
- Complete the finished wall.

Warranty

KOHLER® Faucet Lifetime Limited Warranty

Kohler Co. warrants its Faucets* manufactured after January 1, 1997, to be leak and drip free during normal residential use for as long as the original consumer purchaser owns his or her home. If the Faucet should leak or drip during normal use, Kohler Co. will, free of charge, mail to the purchaser the cartridge necessary to put the Faucet in good working condition. This warranty applies only to Kohler Faucets installed in the United States of America, Canada or Mexico ("North America").

Kohler Co. also warrants all other aspects of the faucet or accessories ("Faucet")*, (except gold, non-Vibrant®, non-chrome finishes) to be free of defects in material and workmanship during normal residential use for as long as the original consumer purchaser owns his or her home. This warranty applies only to Kohler Faucets installed in North America. If a defect is found in normal residential use, Kohler Co. will,

Warranty (cont.)

at its election, repair, provide a replacement part or product, or make appropriate adjustment. Damage to a product caused by accident, misuse, or abuse is not covered by this warranty. Improper care and cleaning will void the warranty**. Proof of purchase (original sales receipt) must be provided to Kohler Co. with all warranty claims. Kohler Co. is not responsible for labor charges, installation, or other incidental or consequential costs. In no event shall the liability of Kohler Co. exceed the purchase price of the Faucet.

If the Faucet is used commercially or is installed outside of North America, or if the finish is gold, non-Vibrant or a painted or powder coated color finish, Kohler Co. warrants the Faucet to be free from defects in material and workmanship for one (1) year from the date the product is installed, under Kohler Co.'s standard one-year limited warranty.

If you believe that you have a warranty claim, contact Kohler Co., either through your Dealer, Plumbing Contractor, Home Center or E-tailer, or by writing Kohler Co., Attn.: Customer Care Center, 444 Highland Drive, Kohler, WI 53044, USA. Please be sure to provide all pertinent information regarding your claim, including a complete description of the problem, the product, model number, color, finish, the date the product was purchased and from whom the product was purchased. Also include your original invoice. For other information, or to obtain the name and address of the service and repair facility nearest you, call 1-800-4-KOHLER (1-800-456-4537) from within the USA and Canada, and 001-800-456-4537 from within Mexico, or visit www.kohler.com within the USA, www.ca.kohler.com from within Canada, or www.mx.kohler.com in Mexico.

KOHLER CO. AND/OR SELLER ARE PROVIDING THESE WARRANTIES IN LIEU OF ALL OTHER WARRANTIES, EXPRESSED OR IMPLIED, INCLUDING BUT NOT LIMITED TO THE IMPLIED WARRANTIES OF MERCHANTABILITY AND FITNESS FOR A PARTICULAR PURPOSE. KOHLER CO. AND/OR SELLER DISCLAIM ALL LIABILITY FOR SPECIAL, INCIDENTAL OR CONSEQUENTIAL DAMAGES. Some states/provinces do not allow limitations of how long an implied warranty lasts or the exclusion or limitation of such damages, so these limitations and exclusions may not apply to you. This warranty gives the consumer specific legal rights. You may also have other rights that vary from state/province to state/province.

This is Kohler Co.'s exclusive written warranty.

*Trend® faucets, MasterShower® tower, BodySpa systems and components; WaterHaven® tower, systems and components; Tripoint®

Warranty (cont.)

faucets, Polished Gold, non-Vibrant and painted or powder coated finishes, fittings; all items within the "Fixture Related" section of the Kohler Faucets Price Book, drains, Duostrainer[®] sink strainers, soap/lotion dispensers, Moxie[®] Wireless Speaker; and faucets used in commercial settings, and outside North America, are covered by Kohler Co.'s one-year limited warranty.

**Never use cleaners containing abrasive cleansers, ammonia, bleach, acids, waxes, alcohol, solvents or other products not recommended for chrome. This will void the warranty.