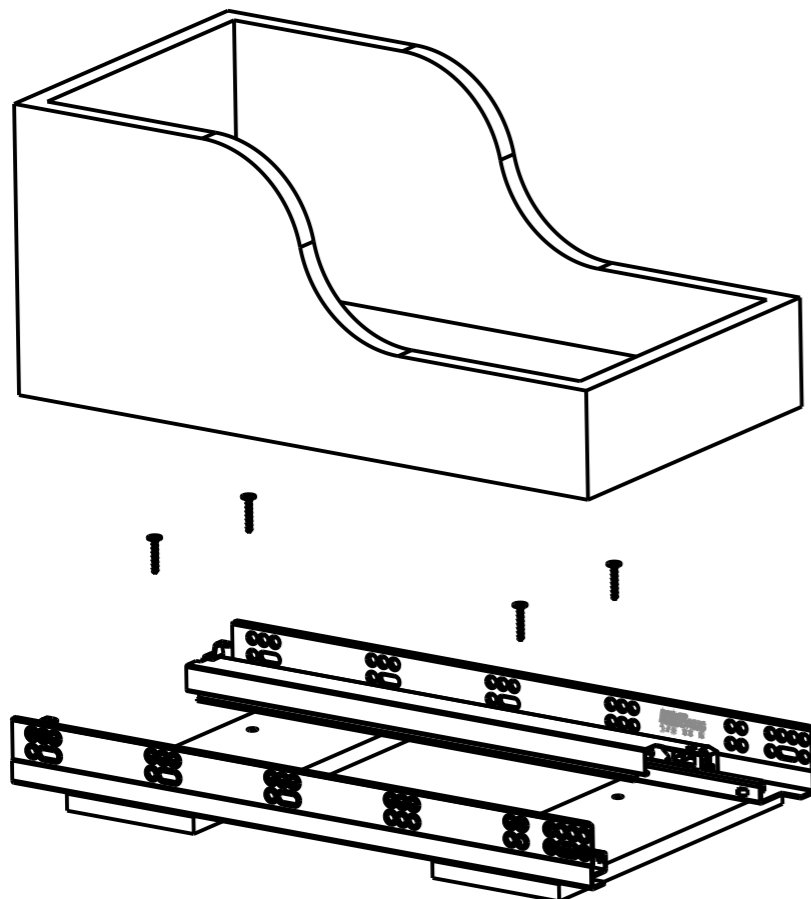
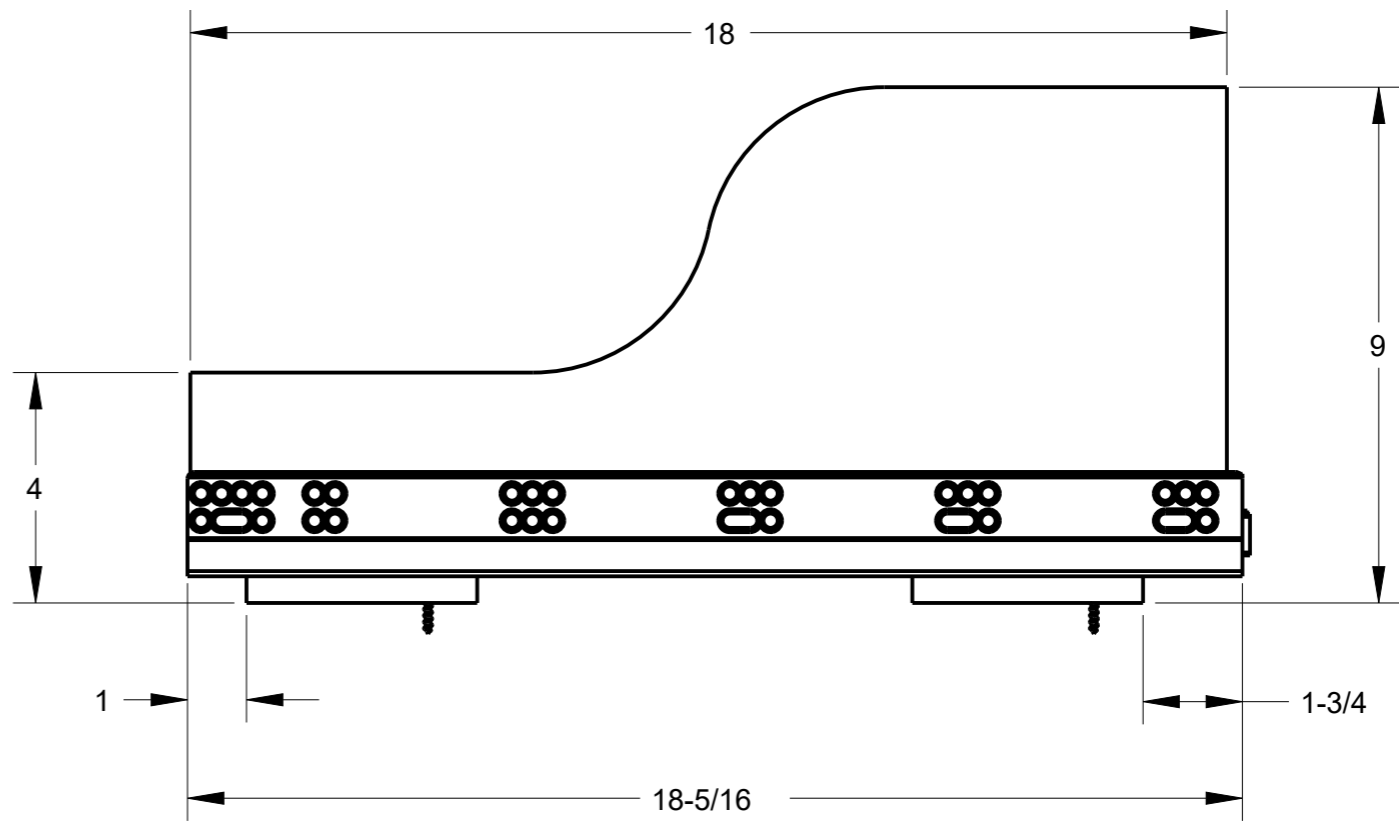
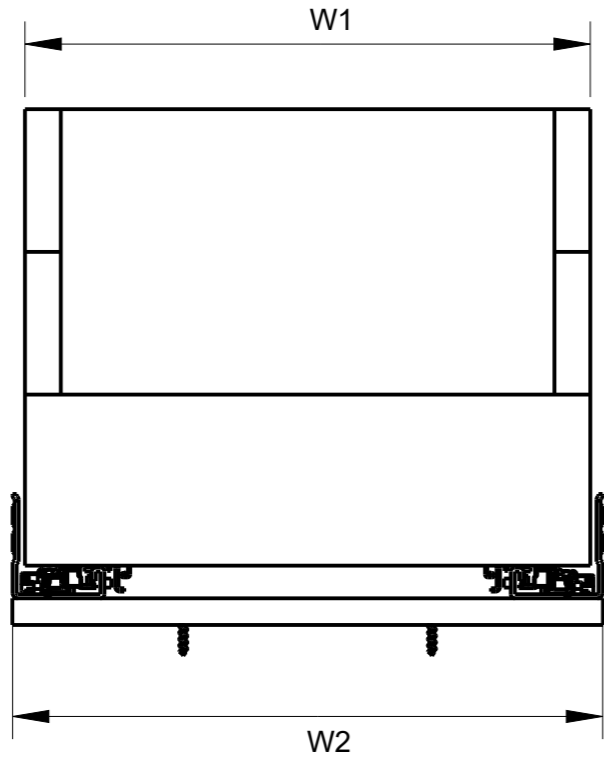


8 7 6 5 4 3 2 1

F
E
D
C
B
A



HR ITEM NUMBER	PRODUCT DESCRIPTION	MINIMUM OPENING	W1	W2
ROVHB12-WB	ROLLOUT, HIGH-BACK, 15in VANITY CABINET	11-1/2	9-13/16	10-1/4
ROVHB15-WB	ROLLOUT, HIGH-BACK, 18in VANITY CABINET	14-1/2	12-13/16	13-1/4
ROVHB18-WB	ROLLOUT, HIGH-BACK, 21in VANITY CABINET	17-1/2	15-13/16	16-1/4



HARDWARE RESOURCES RESERVES THE RIGHT TO CHANGE SPECIFICATIONS WITHOUT NOTICE. IN CASE OF A DISCREPANCY, ACTUAL PART GEOMETRY SUPERSEDES THIS DOCUMENT.

THE INFORMATION CONTAINED WITHIN THIS DRAWING IS THE SOLE PROPERTY OF HARDWARE RESOURCES INC. ANY REPRODUCTION IN PART OR WHOLE WITHOUT WRITTEN PERMISSION OF HARDWARE RESOURCES INC. IS PROHIBITED.

DOCUMENT STATUS Released	
UNLESS OTHERWISE SPECIFIED DIMENSIONS ARE IN INCHES (IN)	
MATERIAL N/A	FINISH N/A
THIRD ANGLE PROJECTION 	DATE 08MAR2024

DESCRIPTION ROLLOUT, HIGH-BACK, VANITY CABINET		
DRAWING NUMBER ROVHB		REV A
SIZE A3	SCALE 0.300	SHEET 1 / 1

8 7 6 5 4 3 2 1