

RESOLUTION

RE224GT GE[®]-to-2GIG[®] Wireless Translator™



Features

- Listens to GE protocol wireless devices: DWS, PIR, Glass Break, Fob, Panic.
 - Transmits 2GIG protocol wireless.
 - No sensor enrollment required.
 - All sensor alarm, supervisory and trouble signals are passed through.
 - Main device has its own unique ID for supervisories, complete reporting of main device tamper, external power supply fault and low battery.
 - Dual antennas for both Receive and Transmit diversity for reliable range.
 - Back-up battery protects during loss of external power.

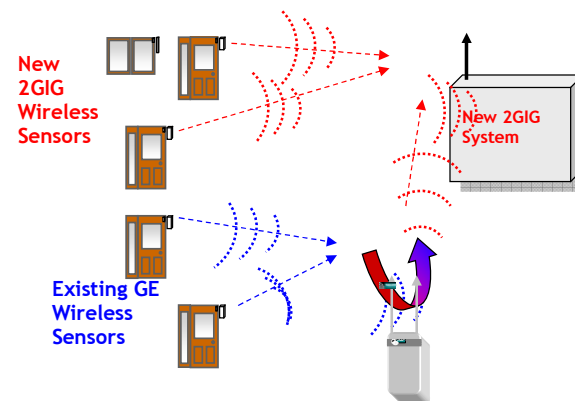
Key Instructions

- External supply: 12V DC at least 50 mA. NON-SWITCHED outlet. Wire polarity DOES NOT matter!
- Mount Translator at least 20 feet from Control Panel's receiver.
- 3 AAA Alkaline batteries give 72 hours backup if external supply fails. INSTALL BATTERIES ONLY WHEN EXTERNAL SUPPLY IS READY TO CONNECT.
- Enrolling:
 - Power the Translator. It starts translating immediately. Sensors are NOT enrolled in the Translator.
 - To enroll any sensor:
 - On panel go to ENTER RF SENSOR SERIAL NUMBER.
 - Press SHIFT then LEARN.
 - Trip the GE sensor to enroll it in the panel.
 - Enroll the Translator into a zone, because it sends check-in supervisories, cover tamper and low battery messages.
 - Sensor Type: (08) 24 Hour Aux Alarm
 - Equipment Code: (0873) TAKE 345
 - On panel go to ENTER RF SENSOR SERIAL NUMBER.
 - Press SHIFT then LEARN.
 - Trip Translator tamper switch to enroll it in panel Loop 2 (although Loop # actually doesn't matter)

Operation

- Existing GE protocol sensors transmit as usual. Translator passes information on to control panel as if they were 2GIG transmitters.
- Translator Main Zone wireless transmission (unique ID):
 - Tamper, when cover opened. Also sends restore.
 - Low battery, when low battery. Also sends restore.
 - Supervisory every hour. Supervisory stopped if 12V DC power absent.

- LED Operation
 - Green LED
 - On if 12V DC power present.
 - Blinks on receipt of GE-compatible packets.
 - Red LED
 - On if device low battery (unless there's no 12V DC power).
 - Blinks on transmit of 2GIG-compatible packets.
- Application Diagram
 - Because the Translator has two antennas, for both receive and transmit diversity, it will generally have better range than all sensors, and many panels (particularly those with internal antennas).
 - Place the Translator generally in the center of the all the existing sensors it needs to hear. It will have no problem reaching the control panel.

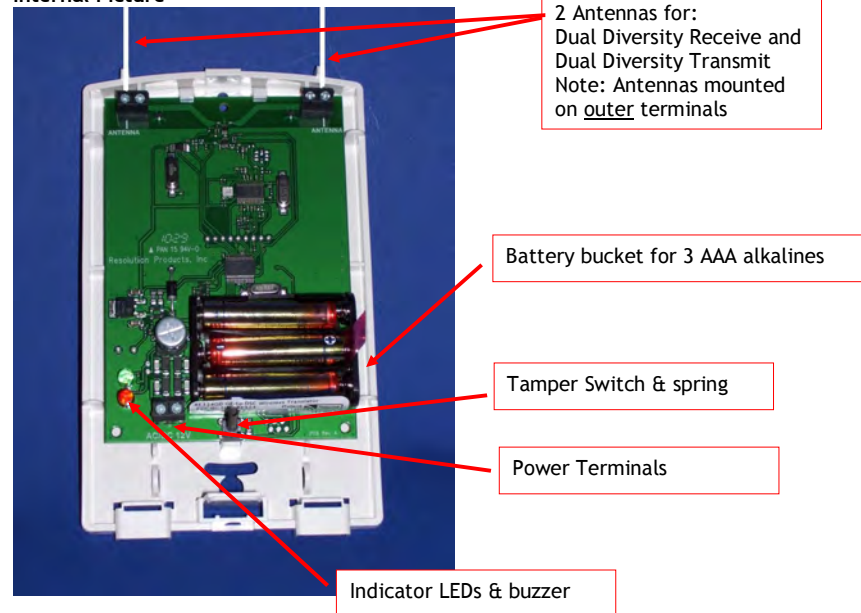


Specifications

GE Device Types:	Hears and translates DWS, PIR, Glass Break, Fob, Panic.
Receiver and Transmitter:	Listens to SAW and crystal transmitters. Talks to SAW receivers.
Backup batteries:	Three AAA Alkaline.
External supply:	8.5 to 13 VDC or 6-9 VAC Standard: Resolution RE012: 12VDC, 50mA. Optional: GE 60-898-IT1, for securing screw Wire connection polarity DOESN'T matter!
Current draw with supply:	4mA, normal operation.
Power Fail Conditions:	12V DC gone. Translator device ID supervisories (including low battery reports) are stopped during 12V DC loss.
Back-up Battery Life on 12V DC Fail:	72 hours (cumulative).
Device Low Battery:	When approximately 48 hours remain in back-up.
Housing dimensions:	4x6x1 inches

Specifications subject to change without notice.

Internal Picture



Notices

“GE”, “Honeywell”, “2GIG” and “DSC” are trademarks owned by General Electric Company, Honeywell International Inc., 2GIG Technologies, Inc., and Tyco Safety Products Canada LTD, respectively.

Resolution Products, Inc. products will function with one of either GE, DSC, 2GIG or Honeywell systems. However, no Resolution product is produced by, endorsed by, nor is officially associated with GE, Honeywell, 2GIG or DSC. Resolution recommends verifying proper enrollment and operation, per control panel installation instructions, at installation.

Do not use Translator for life safety devices, such as smoke or CO sensors.

Patent Pending

Warranty

Resolution Products, Inc. will replace products that are defective in their first five (5) years.

FCC Notice

This device complies with Part 15 of the FCC rules. Operation is subject to the following two conditions:

- (1) This device may not cause harmful interference.
- (2) This device must accept any interference that may be received, including interference that may cause undesired operation.

Changes or modifications not expressly approved by the Resolution Products, Inc. could void the user's authority to operate this equipment.

FCC ID: U5X-RE224

IC Notice

This device complies with Industry Canada license-exempt RSS standard(s). Operation is subject to the following two conditions:

- (1) This device may not cause interference, and
- (2) This device must accept any interference, including interference that may cause undesired operation of the device.

Le présent appareil est conforme aux CNR d'Industrie Canada applicables aux appareils radio exempts de licence. L'exploitation est autorisée aux deux conditions suivantes:

- (1) l'appareil ne doit pas produire de brouillage, et
- (2) l'utilisateur de l'appareil doit accepter tout brouillage radioélectrique subi, même si le brouillage est susceptible d'en compromettre le fonctionnement.

IC: 8310A-RE224

Under Industry Canada regulations, this radio transmitter may only operate using an antenna of a type and maximum (or lesser) gain approved for the transmitter by Industry Canada. To reduce potential radio interference to other users, the antenna type and its gain should be so chosen that the equivalent isotropically radiated power (e.i.r.p.) is not more than that necessary for successful communication.

Conformément à la réglementation d'Industrie Canada, le présent émetteur radio peut fonctionner avec une antenne d'un type et d'un gain maximal (ou inférieur) approuvé pour l'émetteur par Industrie Canada. Dans le but de réduire les risques de brouillage radioélectrique à l'intention des autres utilisateurs, il faut choisir le type d'antenne et son gain de sorte que la puissance isotrope rayonnée équivalente (p.i.r.e.) ne dépasse pas l'intensité nécessaire à l'établissement d'une communication satisfaisante.

This radio transmitter (identify the device by certification number, or model number if Category II) has been approved by Industry Canada to operate with the antenna types listed below with the maximum permissible gain and required antenna impedance for each antenna type indicated. Antenna types not included in this list, having a gain greater than the maximum gain indicated for that type, are strictly prohibited for use with this device.

Le présent émetteur radio (identifier le dispositif par son numéro de certification ou son numéro de modèle s'il fait partie du matériel de catégorie I) a été approuvé par Industrie Canada pour fonctionner avec les types d'antenne énumérés ci-dessous et ayant un gain admissible maximal et l'impédance requise pour chaque type d'antenne. Les types d'antenne non inclus dans cette liste, ou dont le gain est supérieur au gain maximal indiqué, sont strictement interdits pour l'exploitation de l'émetteur.

- Resolution-supplied 8.5" monopole antenna