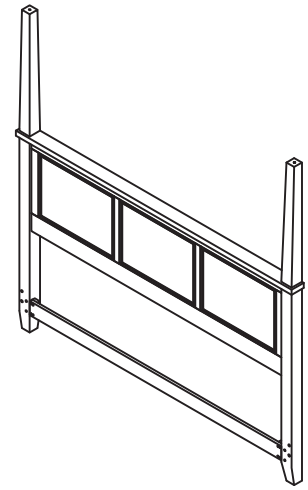


King Poster Headboard



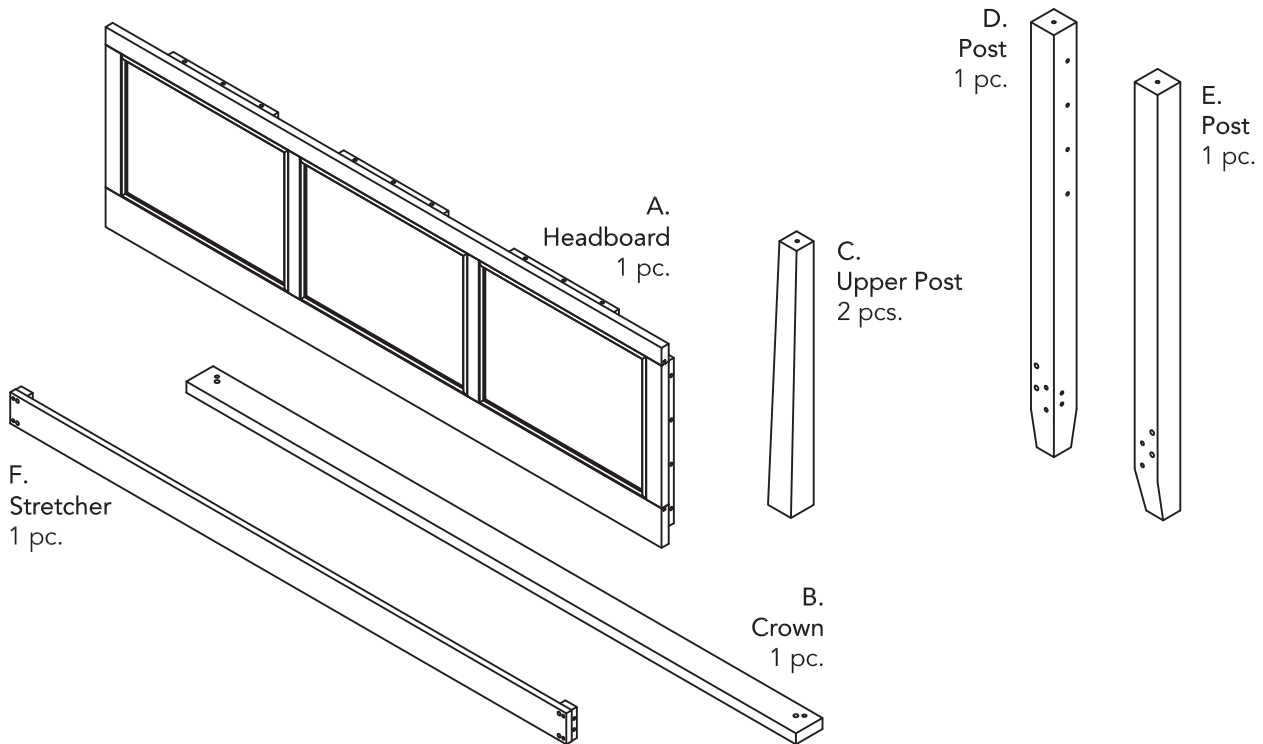
IMPORTANT

Carefully remove all the parts from the carton and place them individually on a soft cloth to prevent scratches or other damage.

Carefully and strictly follow these assembly instructions to ensure a completed product as designed.

Do not use power tools above 8 volts to assemble.

Part List



Hardware List



M6x60
Head Cap Bolt (long)
4 pcs. (+1 extra)



M6x40
Head Cap Bolt (short)
17 pcs. (+1 extra)



Flat Washer
21 pcs. (+1 extra)



Hex Wrench
1 pc.



Small Wrench
1 pc.



5/16" x 4"
Bolt
2 pcs. (+1 extra)



Square Washer
2 pcs. (+1 extra)



Nut
2 pcs. (+1 extra)



Wrench
1 pc.



Dowel
2 pcs. (+1 extra)

Assembly Instructions 2/3

IMPORTANT

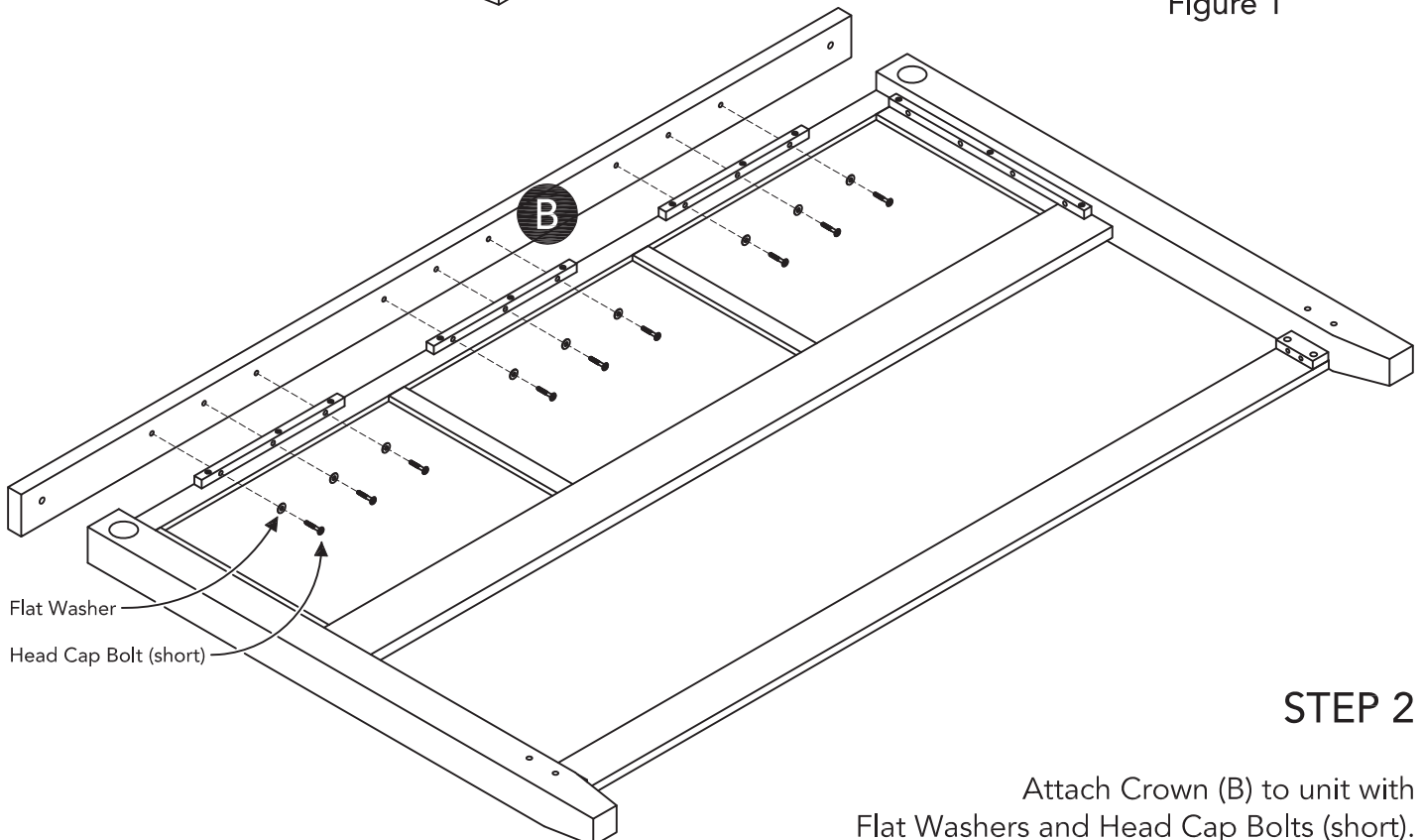
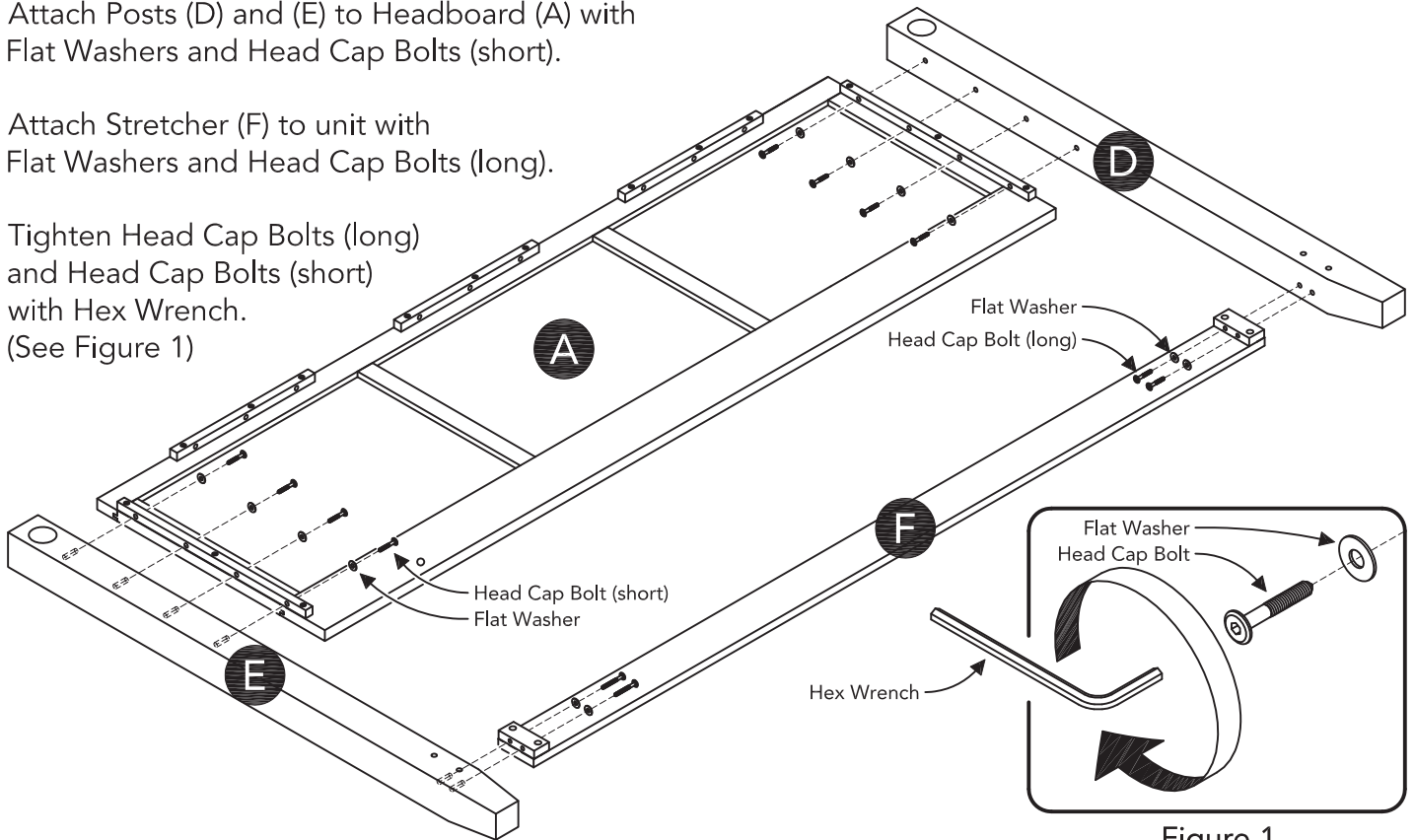
- Use a soft cloth between these parts and the floor.
- Do not use power tools above 8 volts to assemble.
- Do not tighten up all the bolts until each part is properly assembled.
- Keep Hex Wrench and Wrench as the bolts and nuts may need to be tightened in the future.

STEP 1

Attach Posts (D) and (E) to Headboard (A) with Flat Washers and Head Cap Bolts (short).

Attach Stretcher (F) to unit with Flat Washers and Head Cap Bolts (long).

Tighten Head Cap Bolts (long) and Head Cap Bolts (short) with Hex Wrench. (See Figure 1)



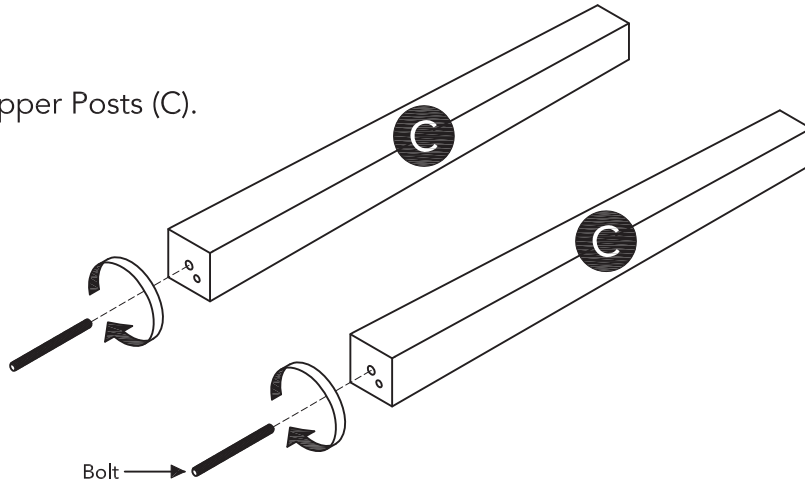
STEP 2

Attach Crown (B) to unit with Flat Washers and Head Cap Bolts (short).

Assembly Instructions 3/3

STEP 3

Insert Bolts into Upper Posts (C).



STEP 4

Attach Upper Posts (C) to unit with Dowels, Square Washers and Nuts.

Tighten Nuts with Wrench. (See Figure 2)

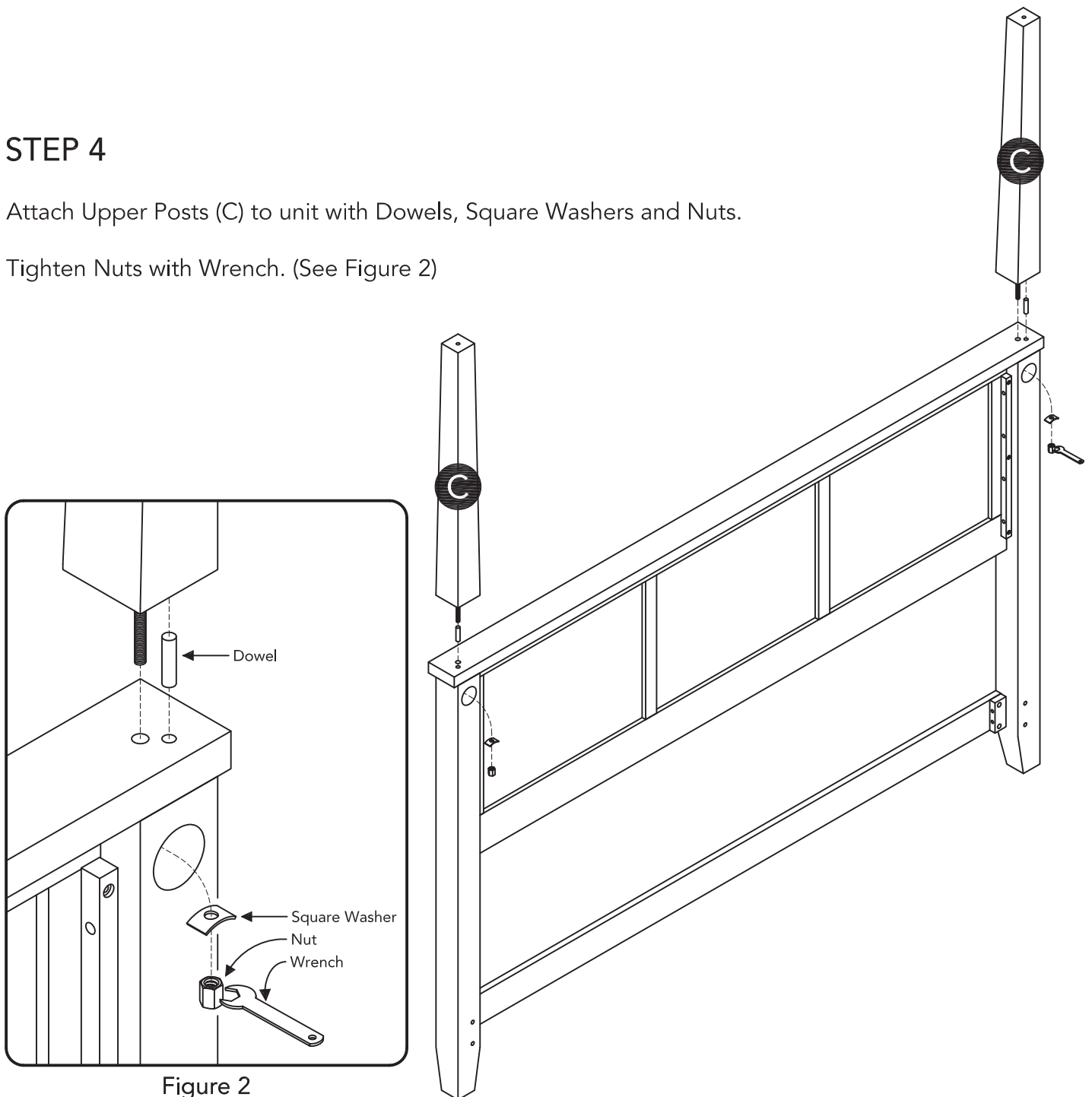
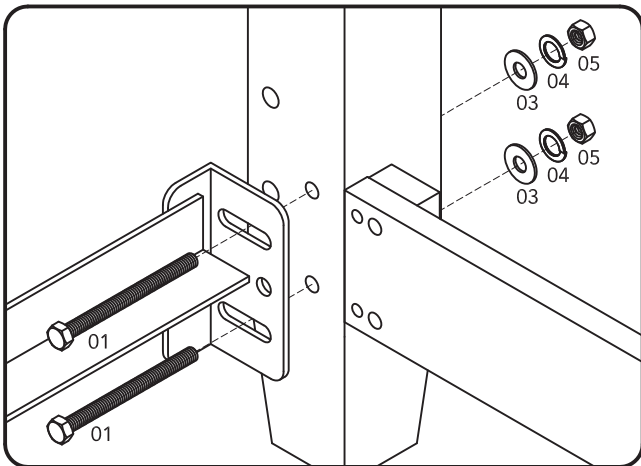
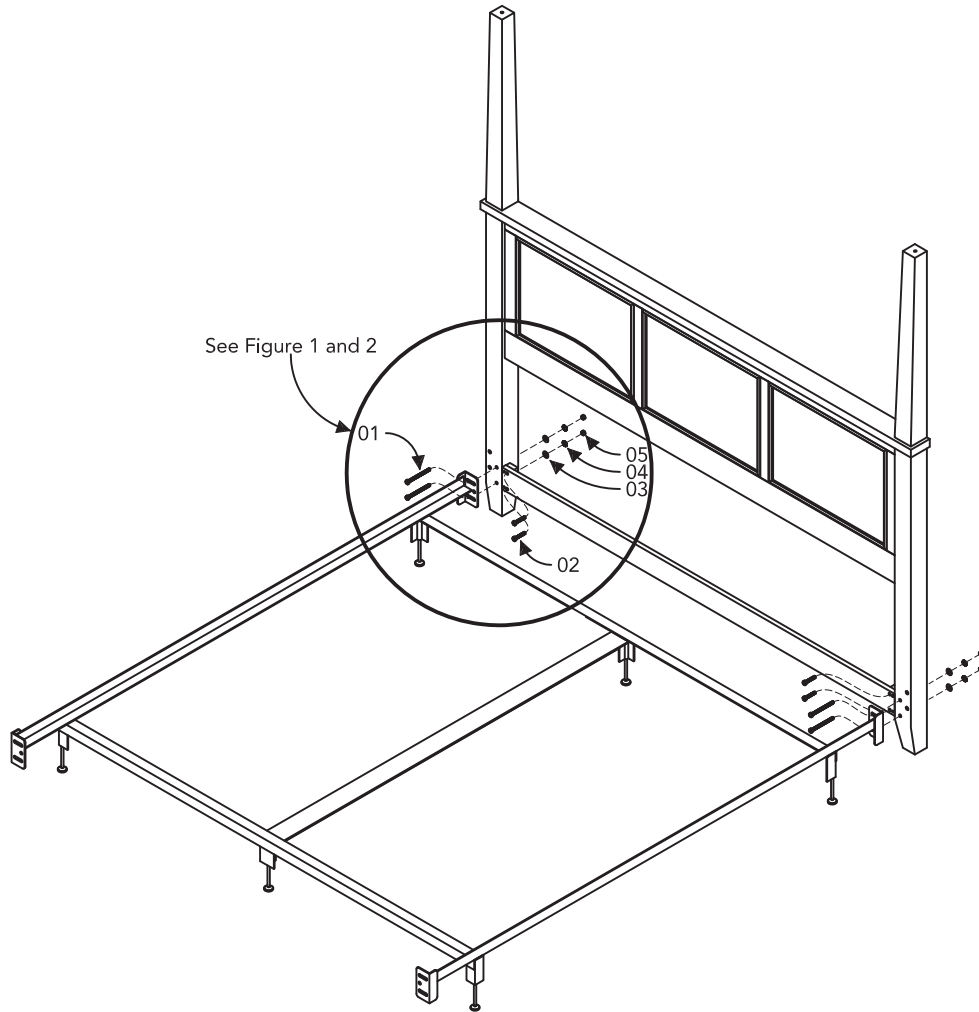
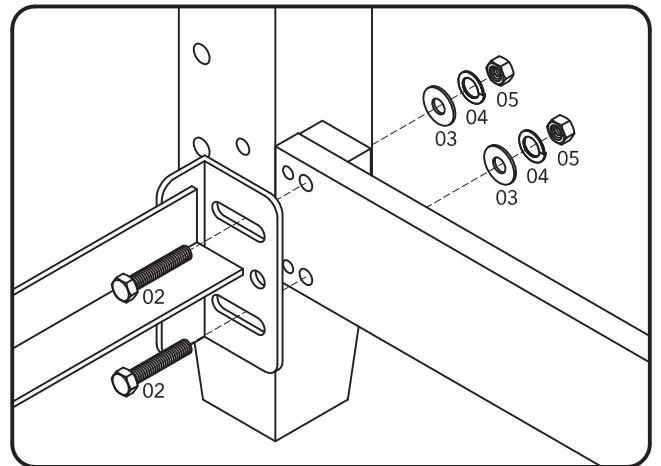


Figure 2

How to Attach Headboard to Metal Bed Frame

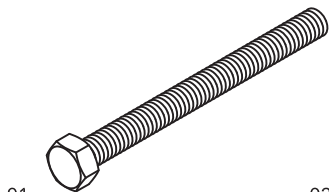


Holes for King Metal Bed Frame.
(See Figure 1)

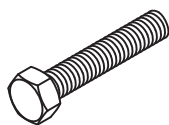


Holes for CA King Metal Bed Frame.
(See Figure 2)

Hardware List (Not Included)



01
Machine Screw M8 x 95
4 pcs.



02
Machine Screw M8 x 55
4 pcs.



03
Flat Washer M8
4 pcs.



04
Spring Washer M8
4 pcs.



05
Nut M8
4 pcs.

CARE INSTRUCTIONS

NEVER

allow liquids to remain on furniture.
Absorption causes parts to warp
and split and finishes to delaminate.

NEVER

use glass cleaners on
finished furniture. Ammonia
chemically attacks the finish.



Do not use power tools
above 8 volts to assemble.

**PREVENT
CRACKING**



Do not place
in direct sunlight.

**PREVENT
FADING**



Do not write
directly on surface.

**PREVENT
MARKING**



Do not place hot
objects on surface.

**PREVENT
FINISH DAMAGE**



Do not use rubber
based placemats.

**PREVENT
DISCOLORING**



Do not use commercial
waxes and polishes.

**PREVENT
YELLOWING**

CLEAN

with a soft cloth moistened
in lukewarm soap and water.
Buff with a dry clean cloth.



homestyles will provide replacements free of charge for missing or damaged parts within 30 days of purchase. Digital images of the defective parts may be required. If the product was not purchased from an authorized retailer, **homestyles** is under no obligation to provide replacement parts. Parts are not available for fully assembled items nor are parts available for sale. Replacements for missing or damaged parts may be requested via contact info below.

homestyles Customer Service: www.homestylesfurniture.com,
servicedesk@homestylesfurniture.com, 888-680-7460