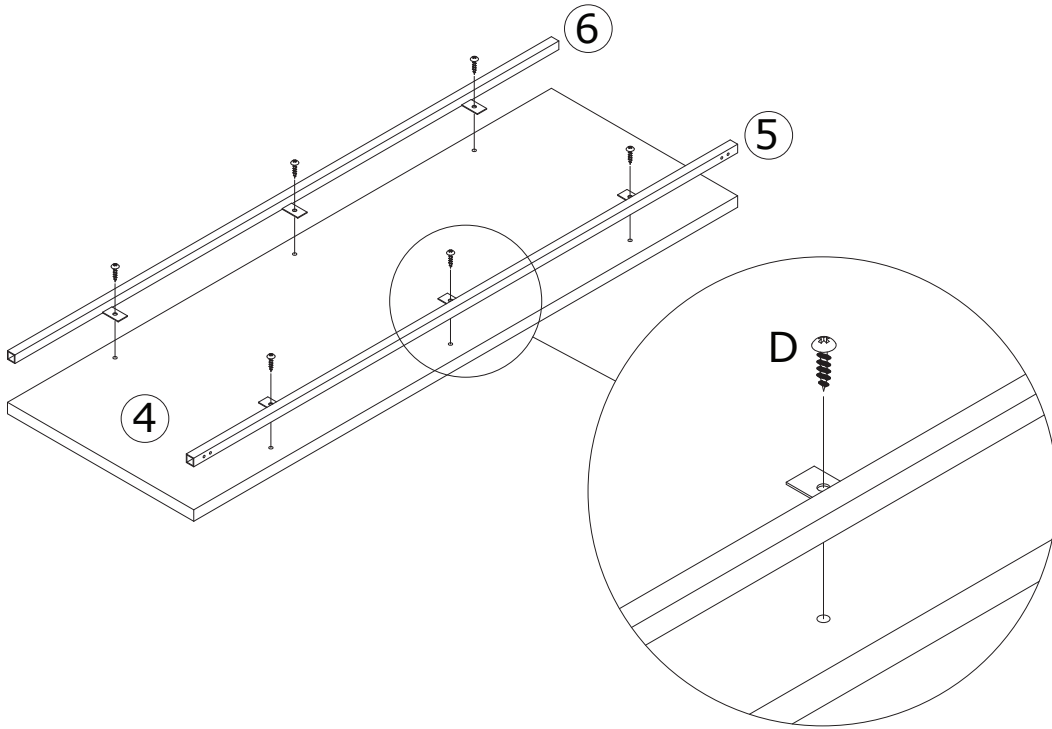


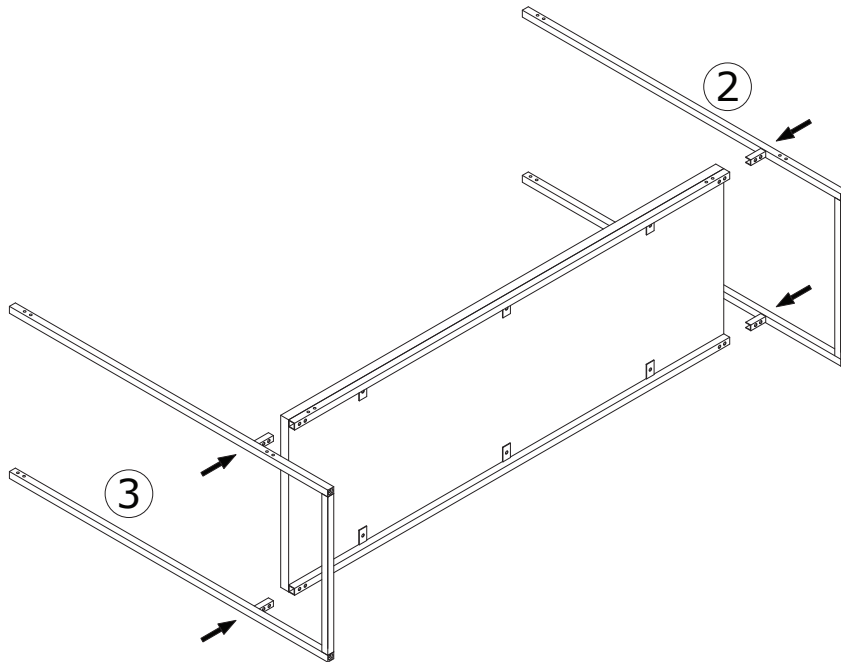
Ax32	Bx4	Cx1	Dx8	Ex1

# 1

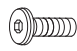

Dx6 

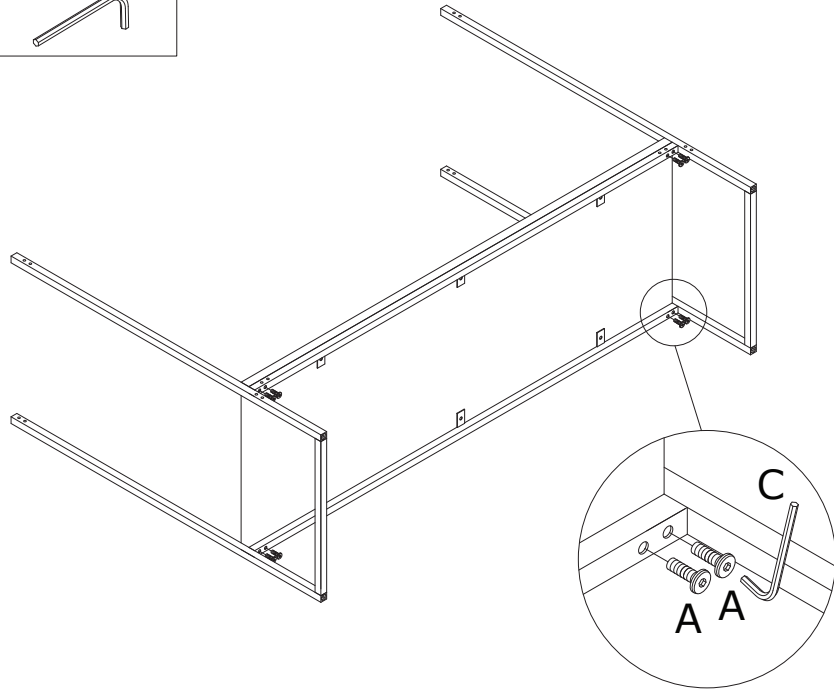


# 2

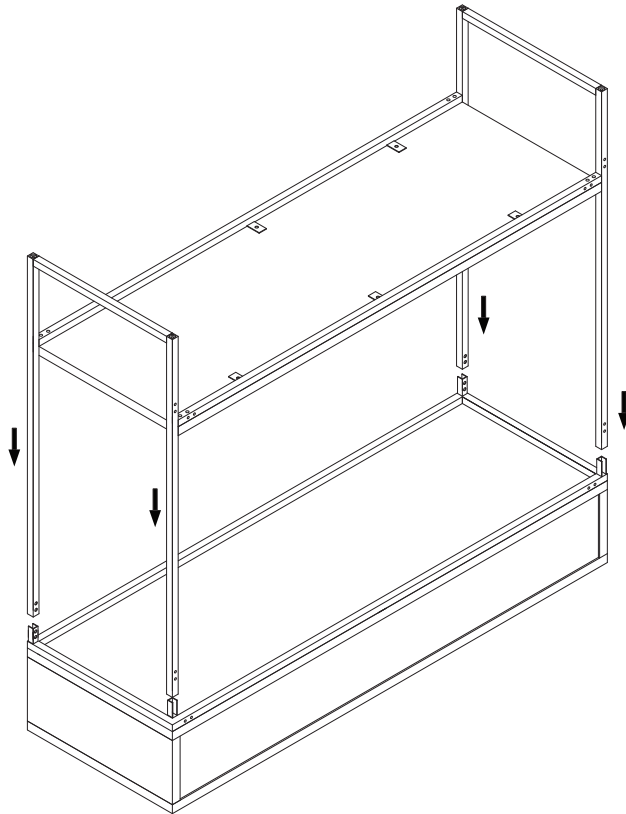


# 3

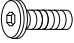
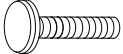

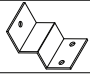
Ax8	
Cx1	

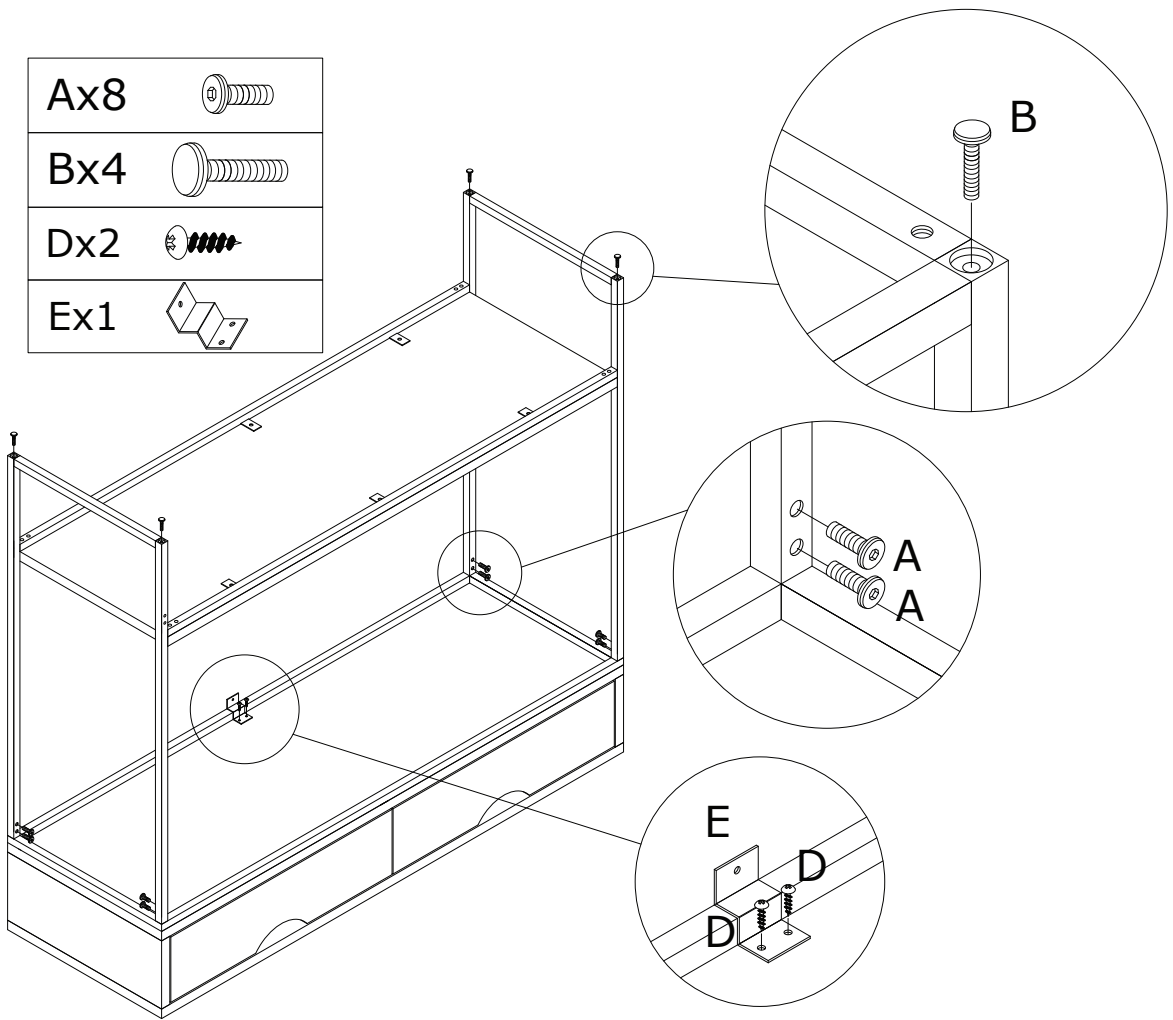


# 4



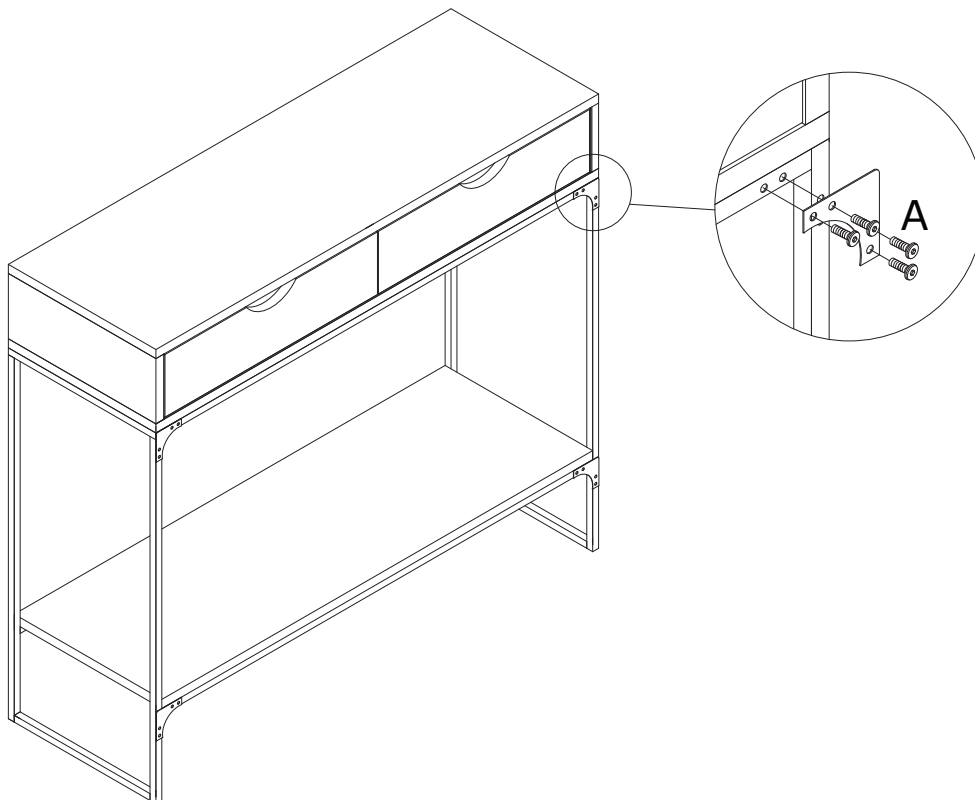
# 5

Ax8	
Bx4	
Dx2	
Ex1	



# 6

Ax16	
------	---



7

