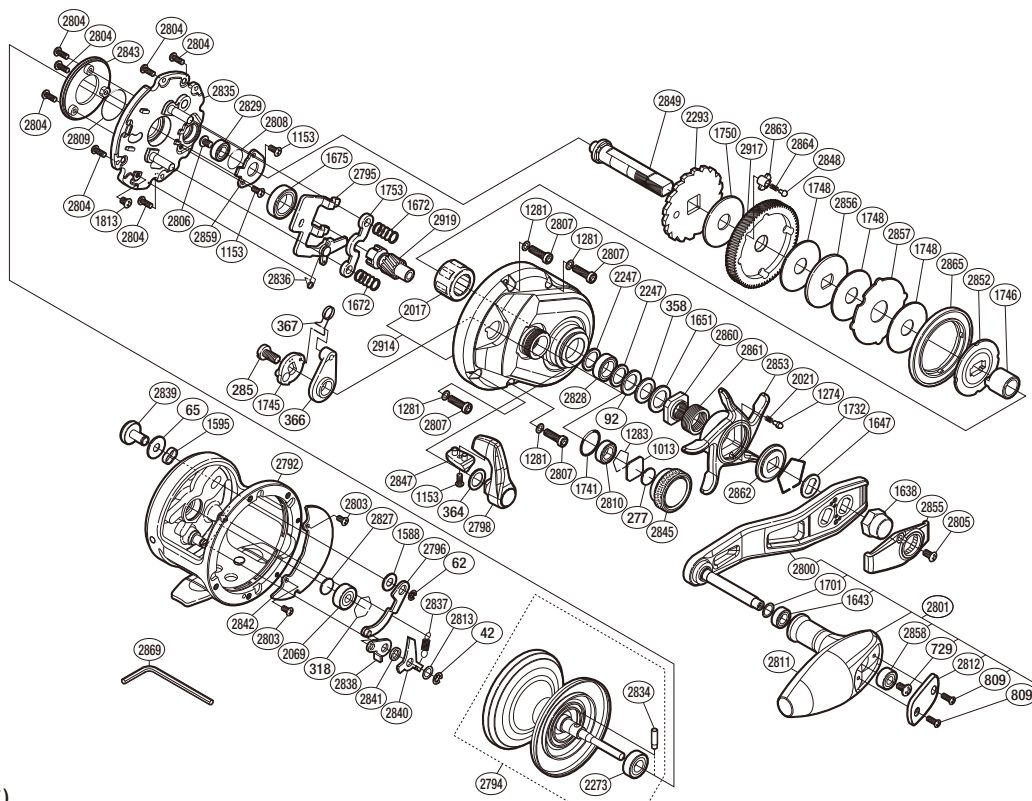


SHIMANO

OCEA JIGGER

OCEA JG-1500PG



(51RL02150PX)

#	Part No.	Description	#	Part No.	Description	#	Part No.	Description
0042	105NE	E Lock	1750	10CLY	Drag Washer	2836	10QCU	Clutch Pawl Spring
0062	105NK	E Lock	1753	10484	Yoke	2837	10S2W	Anti-Reverse Pawl Spring
0065	104H2	Spacer	1813	10MPG	Screw	2838	108SH	F-Anti-Reverse Switch
0092	1052E	Drag Spring Washer (H)	2017	10F3D	Roller Clutch Bearing	2839	108W2	F-Anti-Reverse Knob
0277	10896	Cast Control Spacer	2021	10988	Click Spring	2840	1000V	F-Baitrunner Pawl
0285	10F8M	Screw	2069	10KAF	Ball Bearing	2841	10907	F-Bushing
0318	10GGM	Bearing Retainer	2247	10J4J	Washer	2842	10SZW	Set Plate Sticker
0358	10EW3	Drag Spring Washer (L)	2273	108PE	Ball Bearing	2843	10SZC	Drainage Plate
0364	109RG	Washer	2293	10A2Q	Anti-Reverse Ratchet Assembly	2845	10SZY	Cast Control Cap
0366	10L2B	Eccentric Cam Bushing	2792	10ED5	Frame Assembly	2847	10SZU	Clutch Lever Protector
0367	10JYZ	Clutch Spring	2794	10TDF	Spool Assembly(With Bearing)	2848	10C0S	Drag Click
0729	103E9	Screw	2795	10MU7	Clutch Plate Assembly	2849	10SZ5	Drive Shaft
0809	103NH	Screw	2796	10NL9	F-Anti-Reverse Link Assembly	2852	10SZG	Pressure Plate
1013	1085F	Spool Tension Spacer	2798	10SB3	Clutch Lever Assembly	2853	10SZX	Star Drag
1153	10LVJ	Screw	2800	10ED6	Handle Shank Assembly	2855	10SZ6	Handle Nut Plate
1274	10BT0	Click Pin	2801	10SB2	Handle Assembly	2856	10SZ7	Drag Washer
1281	10J4B	Washer	2803	10LVF	Screw	2857	10SZS	Eared Washer
1283	10GEW	Bearing Retainer	2804	101AN	Screw	2858	10KX2	Ball Bearing
1588	10GA5	Spacer	2805	101AA	Screw	2859	10SZR	Drive Shaft Retainer
1595	104MS	Click Switch Cam	2806	10PVT	Screw	2860	10A3V	Star Drag Nut
1638	10Q1L	Handle Nut	2807	10SZN	Screw	2861	10A7H	Star Drag Spring
1643	105BP	Ball Bearing	2808	10SZ4	O Ring	2862	10J1Y	Star Drag Click Plate
1647	107QM	Drive Shaft Shield	2809	108WF	O Ring	2863	10SZP	Drag Click Pin Holder
1651	10J1N	Star Drag Spacer	2810	104JT	Ball Bearing	2864	10J89	Click Spring
1672	104C3	Yoke Spring	2811	10SZH	Handle Knob	2865	10SZ9	Drag Click Ratchet
1675	10KX7	Ball Bearing	2812	10TNM	Handle Knob I.D. Plate	2914	100SS	Right Side Plate Assembly
1701	10G8G	Washer	2813	10G6E	Washer	2917	10SZ8	Drive Gear
1732	10KXV	Click Plate Retainer	2827	1057Q	Spacer B	2919	10SZB	Pinion Gear
1741	10LAF	O Ring	2828	105BS	Ball Bearing			
1745	1084J	Clutch Cam Assembly	2829	105BV	Ball Bearing			
1746	10BPF	Roller Clutch Inner Tube	2834	10RAK	Spool Clutch Pin	2807	10SZN	Screw (Accessory)
1748	10L8H	Drag Washer	2835	10SZE	Set Plate	2869	10SY5	Wrench (Accessory)

Please note that the number of adjusting washers may not be the same as shown in the exploded views.
(Adjustment will vary with each individual product.)

(230529)_004