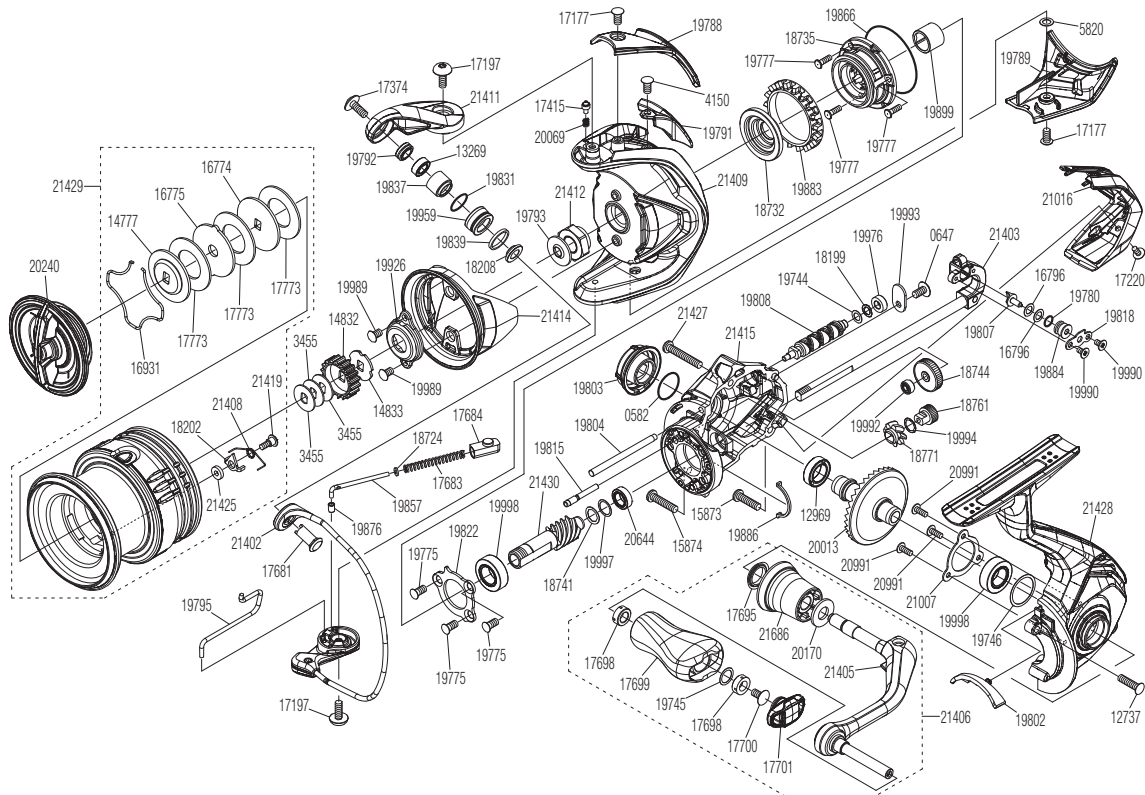


# SHIMANO

## ULTEGRA S A-RB

## ULT-2500HG



Please note that the number of adjusting washers may not always be the same as shown in the exploded views.

(51SF52E028X)

Please note that your actions take full responsibility when you take it apart.

#	Part No.	Description	#	Part No.	Description	#	Part No.	Description
0582	108WH	O Ring	18761	10DK2	Idle Gear B Small	19994	10TBA	Washer
0647	10QG5	Screw	18771	10S9M	Idle Gear B Large	19997	10HE5	Washer
3455	10BXN	Washer	19744	100XZ	Washer	19998	10DZB	Bail Bearing
4150	103KS	Screw	19745	104FH	Washer	20013	10R8X	Drive Gear
5820	105AA	Washer	19746	101AY	Washer	20069	10HE7	Click Spring
12737	10LHY	Screw	19775	100WY	Screw	20170	10E5X	Washer
12969	107FA	Ball Bearing	19777	100WT	Screw	20240	10DYK	Drag Knob Assembly
13269	104VX	Ball Bearing	19780	100WX	O Ring	20644	10RKL	Bail Bearing
14777	10QBT	Key Washer	19788	10RS1	Bail Spring Cover	20991	100UL	Screw
14832	103MU	Spool Support A	19789	10RSA	Bail Hold Support Guard	21007	100F9	Bearing Retainer
14833	10J04	Spool Support B	19791	10RRW	Counter Weight Cover	21016	10DGD	Rear Protector
15873	10M2W	Screw	19792	10187	Line Roller Support Collar	21402	100ZL	Bail Assembly
15874	10M31	Screw	19793	1017W	Bearing Water Proof	21403	10DTU	Main Shaft Assembly
16774	10BCE	Key Washer	19795	1018H	Bail Trip Lever	21405	1010J	Handle Shank Assembly
16775	102ZD	Eared Washer	19802	1017Y	Bail Trip Strike	21406	100DC	Handle Assembly
16796	1070D	Spacer	19803	10RSK	Handle Screw Cap	21408	10T51	Drag Click Spring
16931	10B8N	Drag Washer Retainer	19804	10DVX	Oscillating Guide	21409	100D9	Rotor
17177	10PS2	Screw	19807	1018D	Oscillating Pawl	21411	100D7	Bail Arm
17197	10PS5	Screw	19808	10DYY	Worm Shaft	21412	10T52	Rotor Nut
17220	10PRZ	Screw	19815	10DVW	Idle Gear B Shaft	21414	10T53	Rotor Brim
17374	10K90	Screw	19818	10182	Oscillating Pawl Cover	21415	100D6	Body
17415	106ZC	Click Pin	19822	10DWD	Bearing Retainer	21419	10T5Y	Screw
17681	10TPC	Line Roller Support	19831	1009E	O Ring	21425	10T4S	Spool Bushing Spacer
17683	105R6	Bail Spring	19837	1009K	Line Roller Bushing	21427	10T7E	Screw
17684	107AB	Bail Spring Guide B	19839	10RFZ	Line Roller Spacer	21428	10109	Side Cover Assembly
17695	10PXV	Handle Shaft Seal	19857	10SAN	Bail Spring Guide A	21429	10T4T	Spool Assembly
17698	10PXZ	Handle Knob Bushing	19866	1009Z	Roller Clutch Seal	21430	100DQ	Pinion Gear
17699	10328	Handle Knob	19876	1009B	Bail Spring Guide A Bush	21686	10SY7	Handle Shaft Cover Assembly
17700	10LFA	Screw	19883	10QXQ	Friction Ring			
17701	10TNJ	Handle Knob Seal	19884	1009L	Oscillating Slider Bushing			
17773	102ZG	Drag Washer	19886	1009W	Flange Water Proof			
18199	10ECK	Spacer	19899	1009Y	Roller Clutch Inner			
18202	10DS4	Drag Click	19926	1076N	Rotor Nut Lock Plate			
18208	10TJM	Spacer	19959	1009A	Line Roller			
18724	101D9	Spring Guide A Support	19976	1009C	Worm Bushing (Rear)			
18732	101D5	Rotor Ring	19989	103GW	Screw			
18735	10S2L	Roller Clutch Assembly	19990	1055H	Screw			
18741	10SYU	Washer	19992	1009G	Worm Bushing (Front)			
18744	10DK0	Idle Gear	19993	10S7C	Worm Shaft Retainer	18054	10G4L	Anti Line Slip Sticker