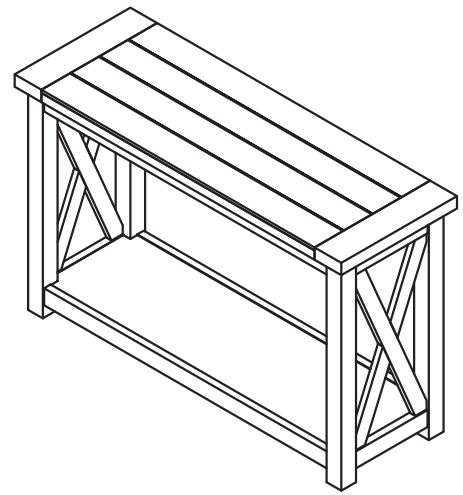


Console Table



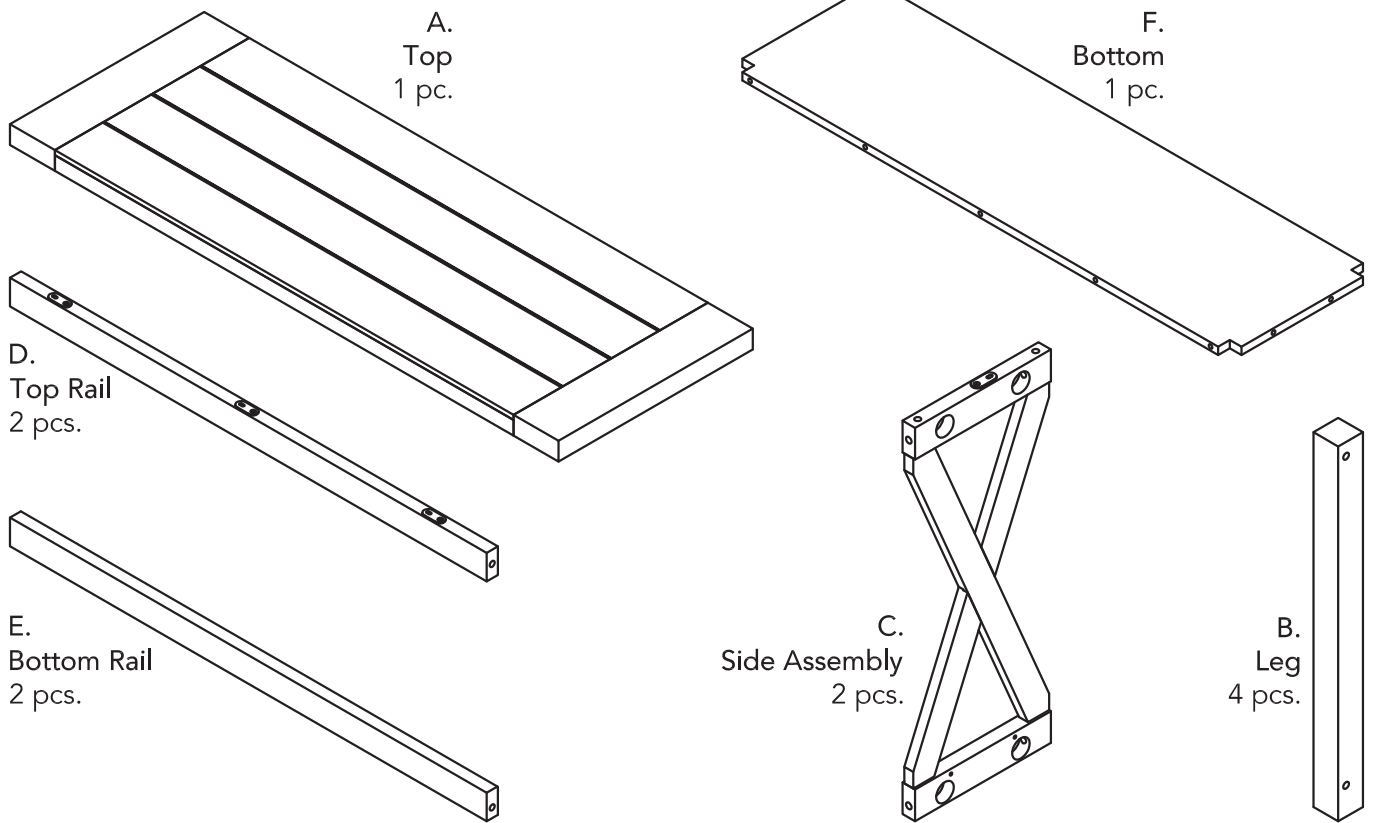
IMPORTANT

Carefully remove all the parts from the carton and place them individually on a soft cloth to prevent scratches or other damage.

Carefully and strictly follow these assembly instructions to ensure a completed product as designed.

Do not use power tools above 8 volts to assemble.

Part List



Hardware List



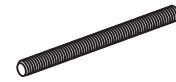
Cam Lock Screw
14 pcs. (+2 extra)



Cam Lock
14 pcs. (+2 extra)



M4x19
3/4" Flat Head Screw
8 pcs. (+1 extra)



5/16" x 3 5/32"
Bolt
16 pcs. (+1 extra)



Flat Washer
16 pcs. (+1 extra)



Nut
16 pcs. (+1 extra)



Wrench
1 pc.

Tool(s) required for assembly: Phillips screwdriver, Level

Home Styles Customer Service: www.homestyles-furniture.com,
servicedesk@homestyles-furniture.com, 888-680-7460, 877-831-0319

Assembly Instructions 2/5

IMPORTANT

- Use a soft cloth between these parts and the floor.
- Do not use power tools above 8 volts to assemble.
- Do not tighten all the screws until each part is properly assembled.
- The unit must be level to work properly. Use the included adjustable levelers to level.
- Keep Wrench as the Nuts may need to be tightened in the future.

STEP 1

Insert Cam Lock Screws into pre-drilled holes in Side Assemblies (C) and Bottom Rails (E), then tighten.

Insert Bolts into pre-drilled holes in Legs (B), then tighten.

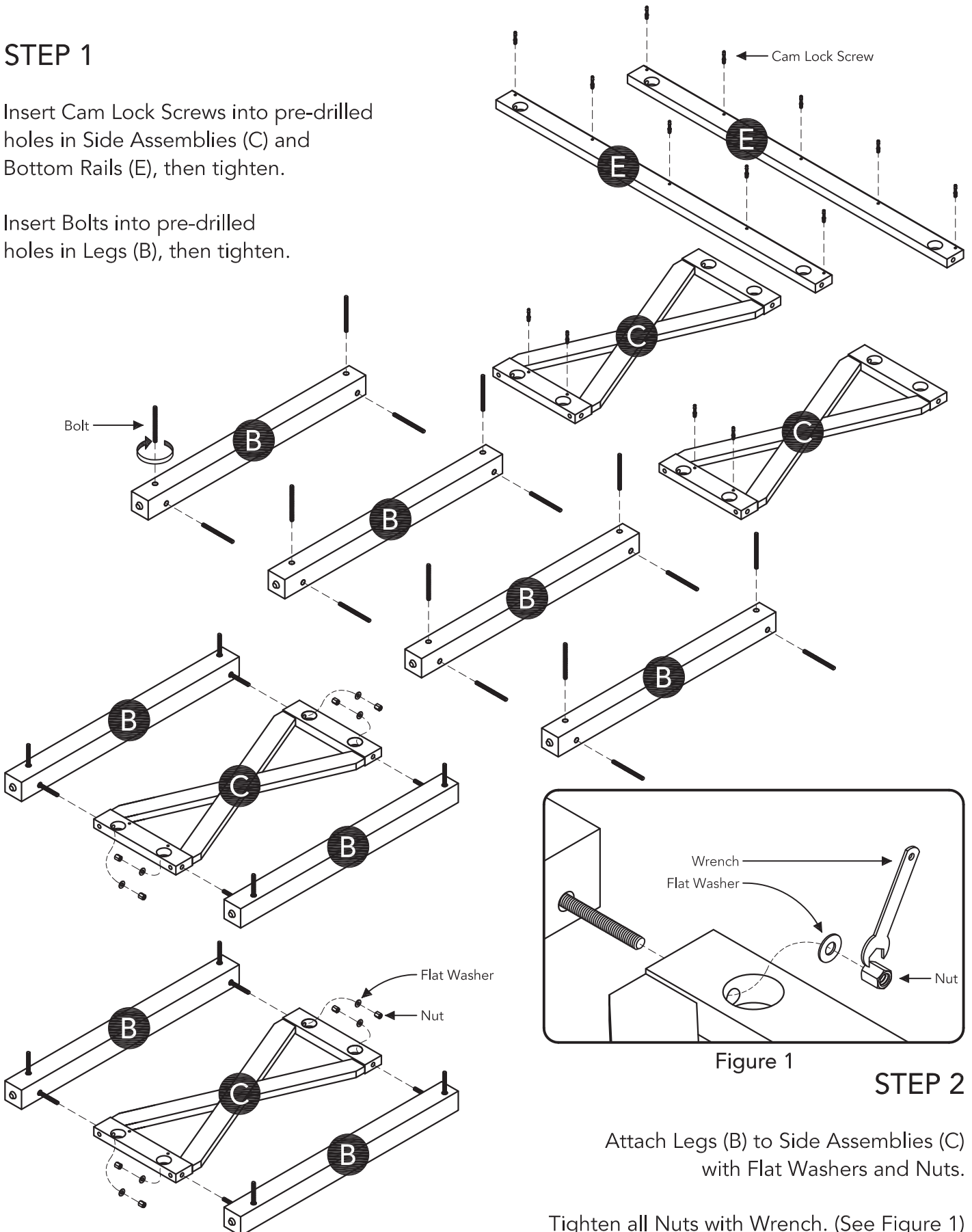


Figure 1

STEP 2

Attach Legs (B) to Side Assemblies (C) with Flat Washers and Nuts.

Tighten all Nuts with Wrench. (See Figure 1)

Assembly Instructions 3/5

STEP 3

Attach Bottom Rails (E) to Bottom (F) with Cam Locks.
(See Figure 2)

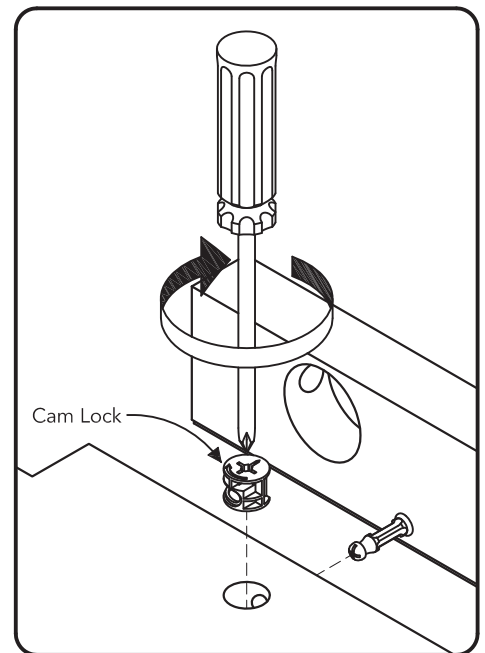
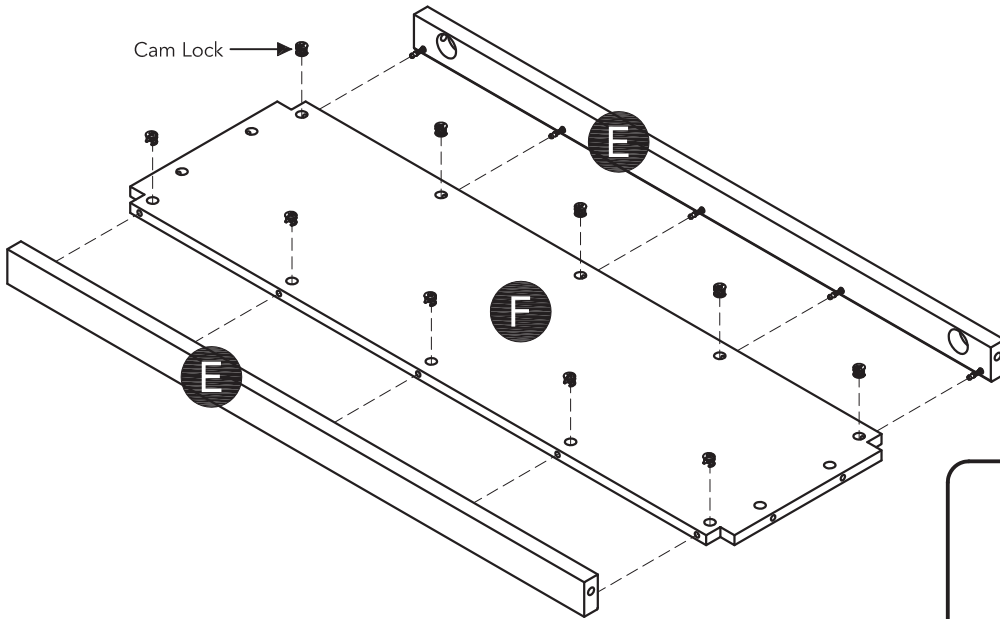
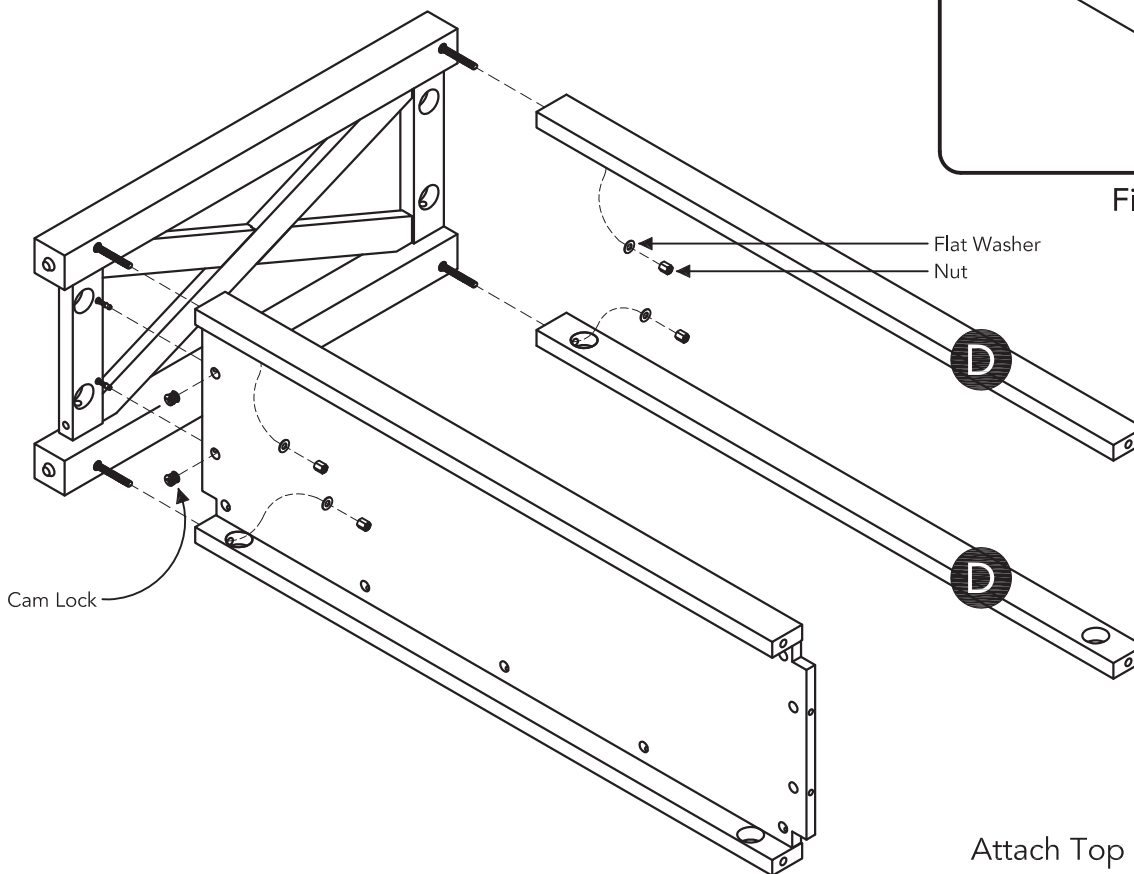


Figure 2



STEP 4

Attach Top Rails (D) and unit to side unit from Step 2 with Flat Washers, Nuts and Cam Locks.

Tighten all Nuts with Wrench.

Assembly Instructions 4/5

STEP 5

Attach side unit from Step 2 to unit with Flat Washers, Nuts and Cam Locks.

Tighten all Nuts with Wrench.

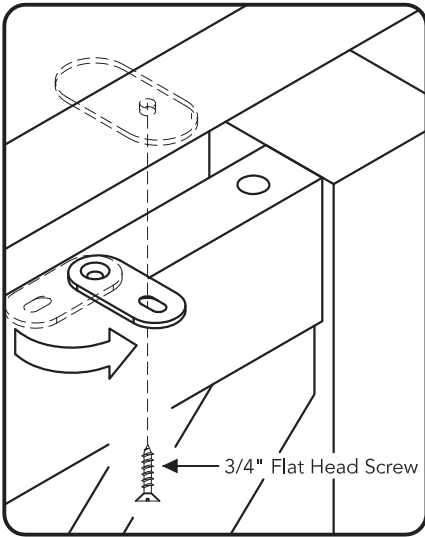
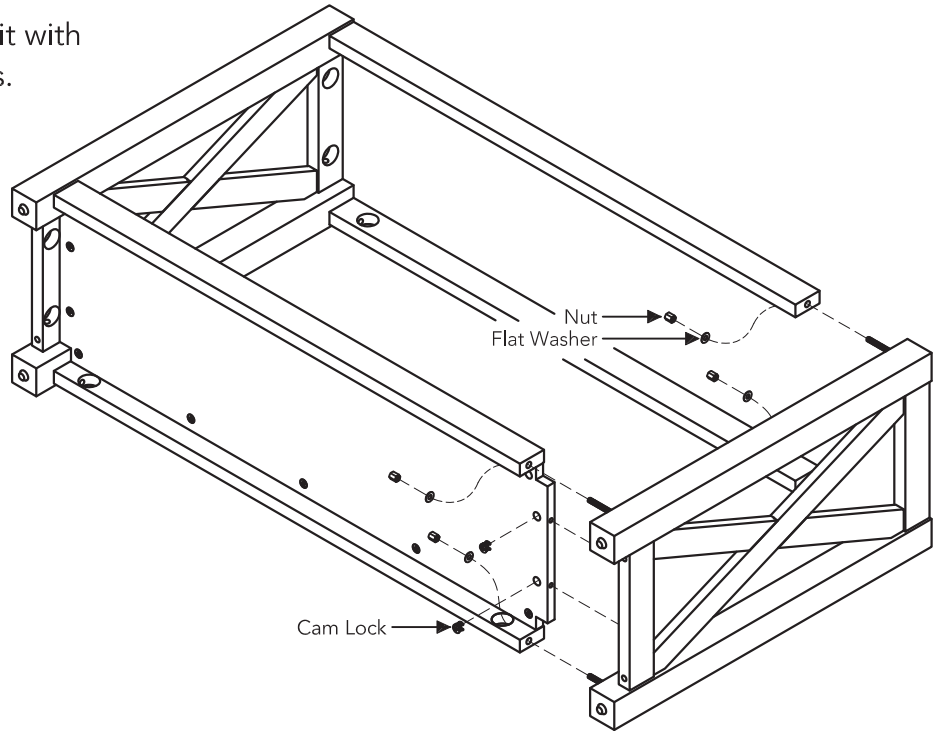


Figure 3



STEP 6

Rotate metal tabs on unit out and attach Top (A) to unit with 3/4" Flat Head Screws. (See Figure 3)

Level unit by adjusting the adjustable levelers on bottom of unit. (See Figure 4)

Note: Unit must be level to work properly.

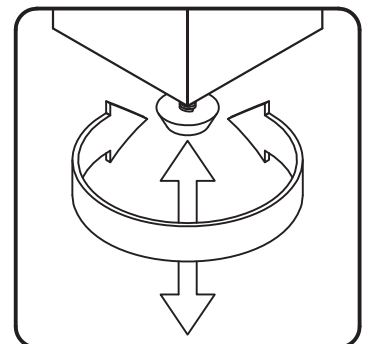
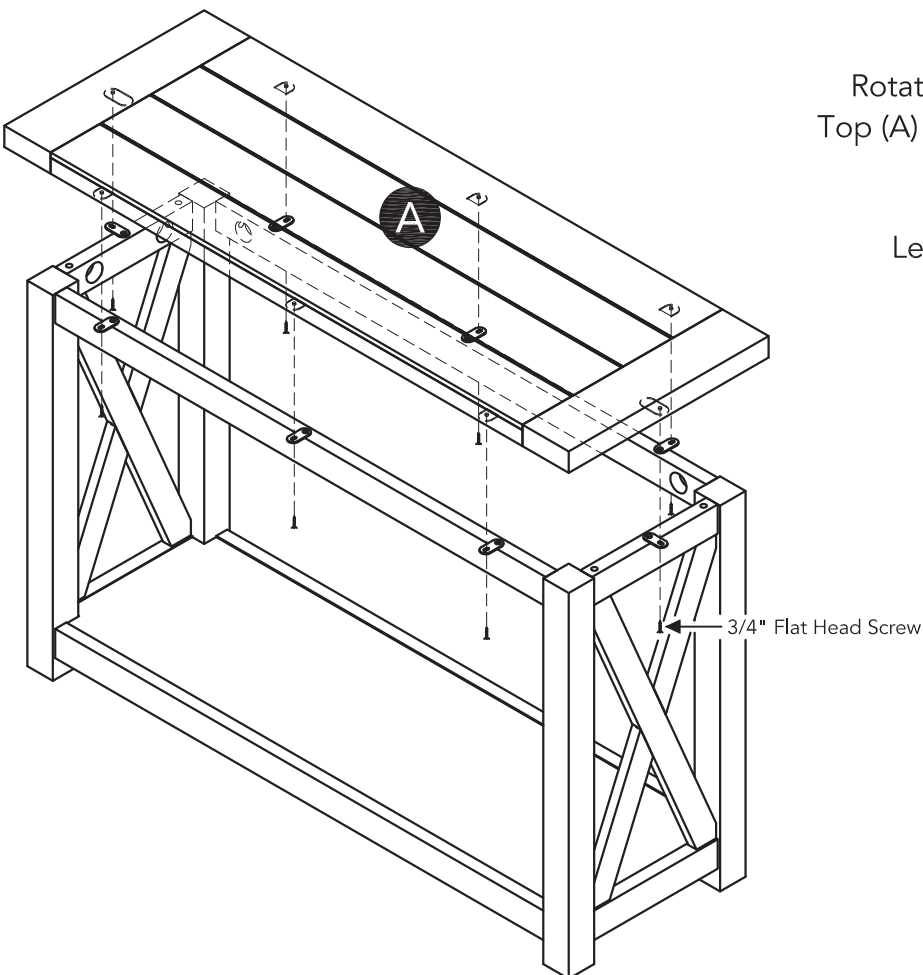


Figure 4

Assembly Instructions 5/5

IMPORTANT

- To help reduce the risk of the unit tipping over, the Tip-over Restraint must be installed following these instructions exactly.

STEP 7

Place unit at desired location.

Mark wall with pencil just above Top (A) in center of unit. (See Figure 5)

Move unit.

Drill a 3/8" hole in wall 1 1/2" below mark.

Insert Anchor into the wall hole and attach Tip-over Restraint to Anchor with 1 1/2" Round Head Screw and Flat Washer. (See Figure 6)

Move unit back into place. (See Figure 7)

Attach Tip-over Restraint to inside of Top Rail (D) with 1/2" Round Head Screw and Flat Washer. (See Figure 8)

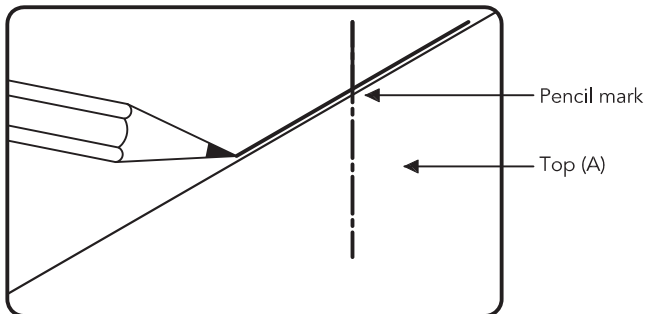
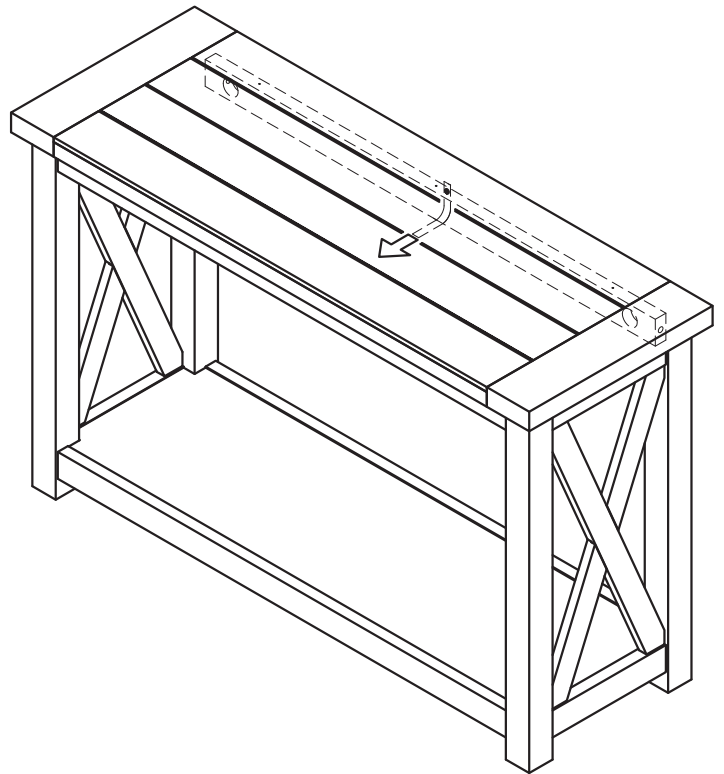


Figure 5

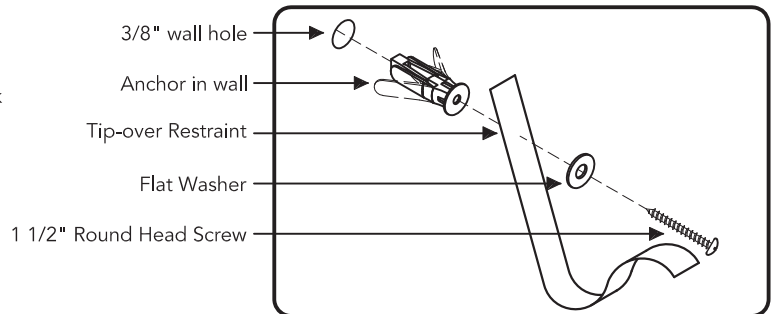


Figure 6

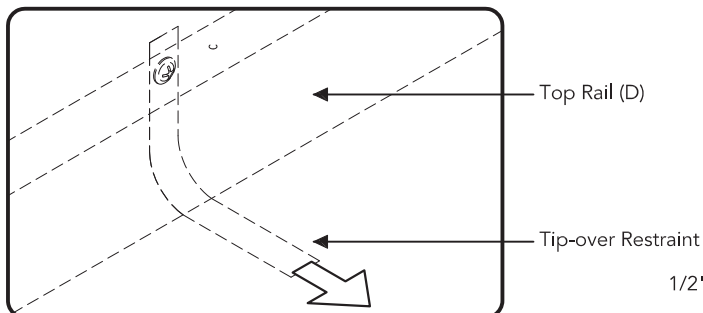


Figure 7

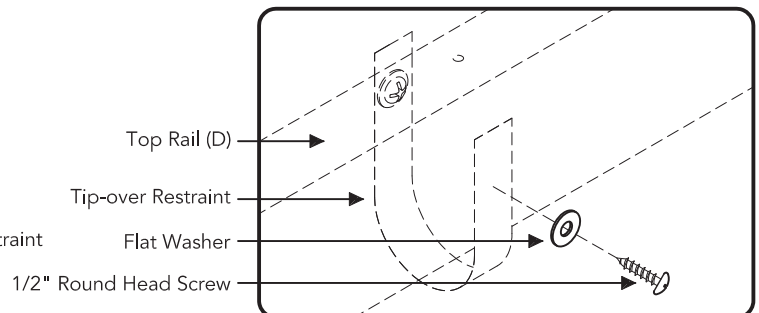
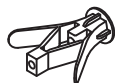


Figure 8

Hardware List



Tip-over Restraint
1 pc.



Anchor
1 pc. (+1 extra)



(M3x38)
1 1/2" Round Head Screw
1 pc. (+1 extra)



(M3x13)
1/2" Round Head Screw
1 pc. (+1 extra)



Flat Washer
2 pcs. (+1 extra)

CARE INSTRUCTIONS

NEVER

allow liquids to remain on furniture.
Absorption causes parts to warp
and split and finishes to delaminate.

NEVER

use glass cleaners on
finished furniture. Ammonia
chemically attacks the finish.



Do not use power tools
above 8 volts to assemble.

**PREVENT
CRACKING**



Do not place
in direct sunlight.

**PREVENT
FADING**



Do not write
directly on surface.

**PREVENT
MARKING**



Do not place hot
objects on surface.

**PREVENT
FINISH DAMAGE**



Do not use rubber
based placemats.

**PREVENT
DISCOLORING**



Do not use commercial
waxes and polishes.

**PREVENT
YELLOWING**

CLEAN

with a soft cloth moistened
in lukewarm soap and water.
Buff with a dry clean cloth.



Home Styles will provide replacements free of charge for missing or damaged hardware or parts within 30 days of purchase. Digital images of the defective parts may be required. If the product was not purchased from an authorized retail affiliate, Home Styles is under no obligation to provide replacement parts. Parts are not available for fully assembled items nor are parts available for sale. Replacements for missing or damaged hardware or parts may be requested at:

www.homestyles-furniture.com/customer-service/replacement-parts

Home Styles Customer Service: www.homestyles-furniture.com,
servicedesk@homestyles-furniture.com, 888-680-7460, 877-831-0319