

KALLISTA®

For Town by KALLISTA Pressure Balance Trim, Lever Handle P22715-LX

Features

- High-quality solid-brass construction for durability and reliability
- Required rough-in sold separately
- Maintains water temperature within +/-3 degrees Fahrenheit
- Features a high-temperature-limit stop to help prevent scalding

Required Products/Accessories

P19310-00 Pressure Balance Rough-In

or

P19310-WS Pressure Balance Rough-In Valve With Stops

or

P29306-WS High Flow Pressure Balance Rough-In Assembly

Recommended Products/Accessories

P22713-LV Volume Control Trim, Lever Handle

P21425-MB Traditional handshower with hose

P21540-00 Air-Induction Rain Showerhead

P22762-LV Thermostatic Trim, Lever Handle



ADA

Codes/Standards

ADA

KALLISTA® Five-Year Limited Warranty

See website for detailed warranty information.

Available Colors/Finishes

Color tiles intended for reference only.

Color	Code	Description
	AD	Nickel Silver
	CP	Polished Chrome

1-888-4-KALLISTA (1-888-452-5547)

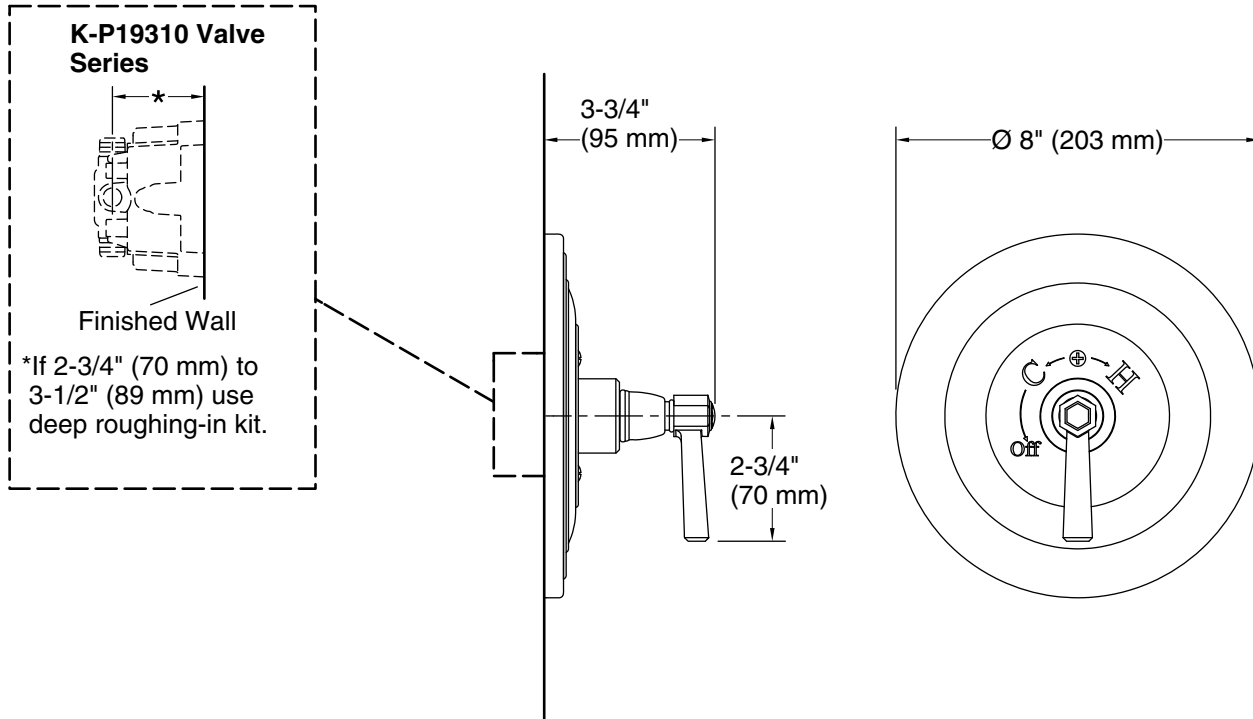
Kallista reserves the right to make revisions without notice to product specifications.

For the most current Specification Sheet, go to www.kallista.com.

7-4-2025 22:05 - US

KALLISTA®

For Town by KALLISTA
Pressure Balance Trim, Lever Handle
P22715-LX



Technical Information

All product dimensions are nominal.

Notes

ADA compliant when installed to the specific requirements of these regulations.