



Modesto™
19" round drop-In bathroom sink
441901

Features

- Single faucet hole
- Center drain and overflow

Material

- Grade A vitreous china with a hard, glossy finish

Installation

- Drop-in

Recommended Products/Accessories

- K-23726 Drain treatment
- K-23725 Cast iron cleaner



ADA

Codes/Standards

ASME A112.19.2/CSA B45.1
ADA
ICC/ANSI A117.1

**STERLING® Vitreous China
Bathroom Sinks Five-Year Limited
Warranty**

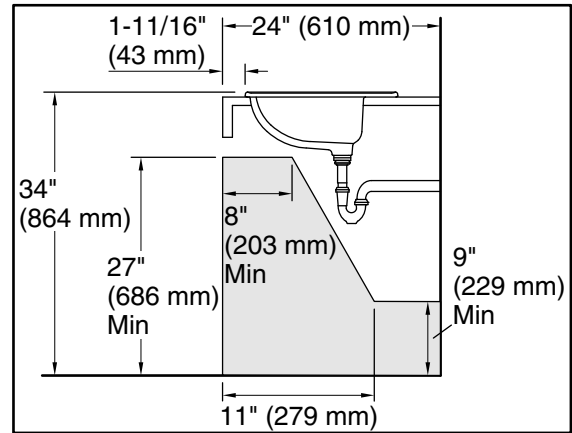
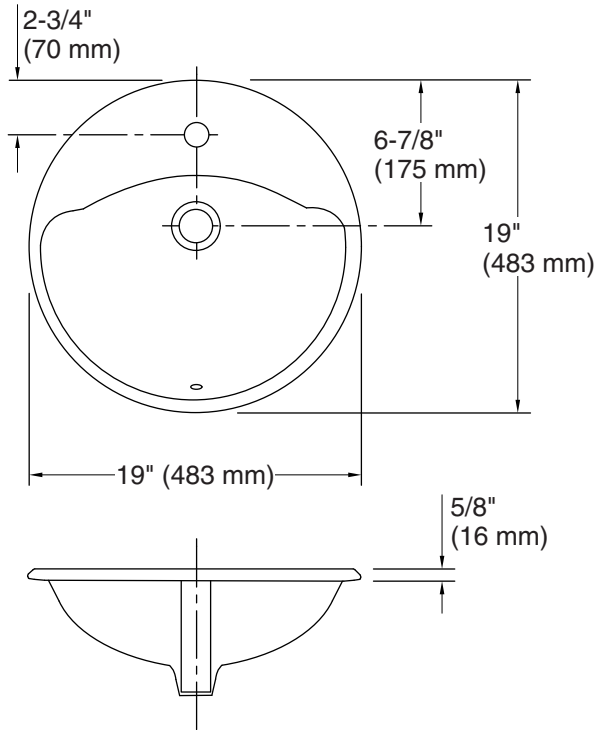
See website for detailed warranty information.

Available Colors/Finishes

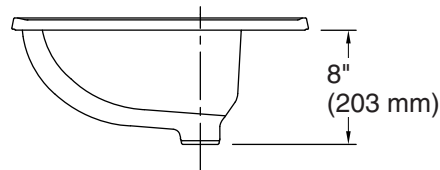
Color tiles intended for reference only.

Color Code Description

■ 0 White



Recommended ADA Installation



Technical Information

All product dimensions are nominal.

- Basin configuration: Single Bowl
- Bowl area (Only): Length: 15-3/4" (400 mm)
Width: 12-5/8" (321 mm)
Water depth: 4-7/8" (124 mm)
- With overflow: Yes
- Number of deck holes: 1
- Faucet hole(s): 1-3/16" (30 mm)
- Drain hole: 1-3/4" (44 mm)
- Template: 1003766-7, required, included

Notes

- Install this product according to the installation instructions.
- Measure your actual product for roughing-in details.
- Product dimensions are nominal and may vary per ASME A112.19.2 tolerances.
- ADA compliant when installed to the specific requirements of these regulations.