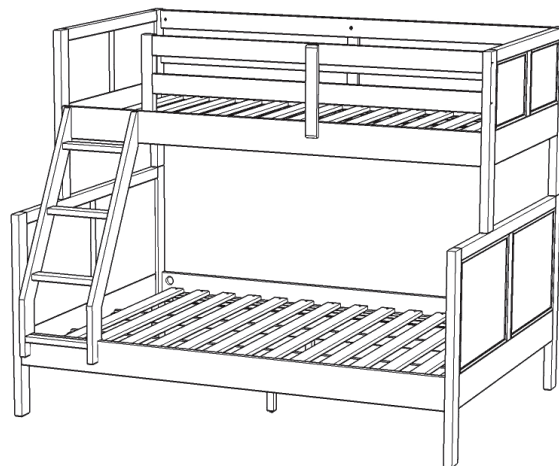


Bunk Bed



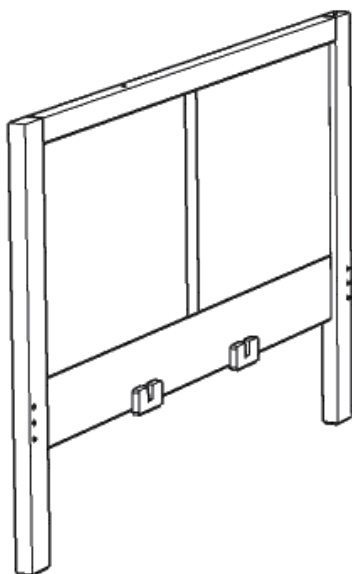
IMPORTANT

Carefully remove all the parts from the carton and place them individually on a soft cloth to prevent scratches or other damage.

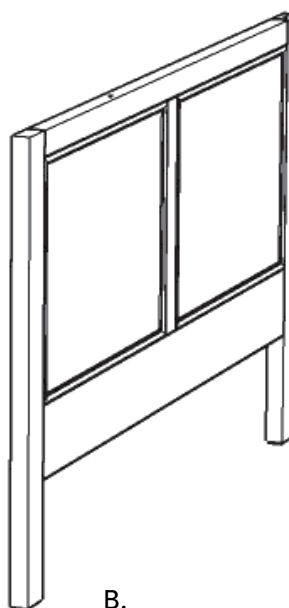
Carefully and strictly follow these assembly instructions to ensure a completed product as designed.

Do not use power tools above 8 volts to assemble.

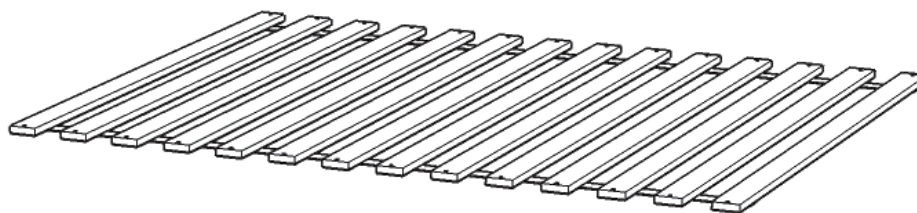
Part List



A.
Lower End Panel
1 pc.



B.
Lower End Panel
1 pc.



C.
Lower Slats
1 pc.

For assembly see instructions in carton 20 05533 0553.