

R36 SERIES



HILLYARD

The Cleaning Resource®

 **TRIDENT®**

Better Built. Better Equipment.

Better Built. Better Equipment.

Our Trident Brand of equipment starts from the ground up - at a place where intelligent design intersects with innovative technology and exceptional engineering to deliver superior cleaning equipment. Cleaning equipment that lowers your total cost of ownership, reduces your cost to clean and improves cleaning results. It's what you expect out of your equipment investment, and it's what we deliver. We're Hillyard, The Cleaning Resource, since 1907.



Intelligent
Design



Exceptional
Engineering



Innovative
Technology



Protection & Longevity

The outer body surrounds the internal structure and mechanical parts, protecting them from impact and eliminating potential repair costs from scrub decks being exposed outside the body.

Yellow Color-Coded Parts

Parts that should be cleaned daily are color coded in yellow. This saves time and makes sure your scrubber is kept in perfect condition at all times.





Comfort

Ergonomically designed, adjustable padded seat delivers hours of stress-free operation. The operator can position the seat for maximum comfort and safety.

Maximum leg room and a steering wheel that's closer to the operator makes the machine even more comfortable to use.



The foot rest zone is designed to offer ample space for the feet within the compact dimensions of the machine.



The lateral paddles provide greater control over the machine for total peace of mind and a comfortable, safe driving experience.



The lowered footboard facilitates easy access from both sides and allows the operator to sit comfortably.

Ease-Of-Use

Service Light System

LEDs light up the areas that may require operator inspection.

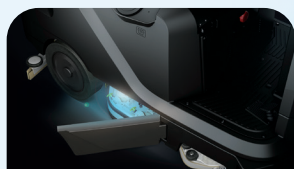
Squeegee Assembly



Battery Compartment



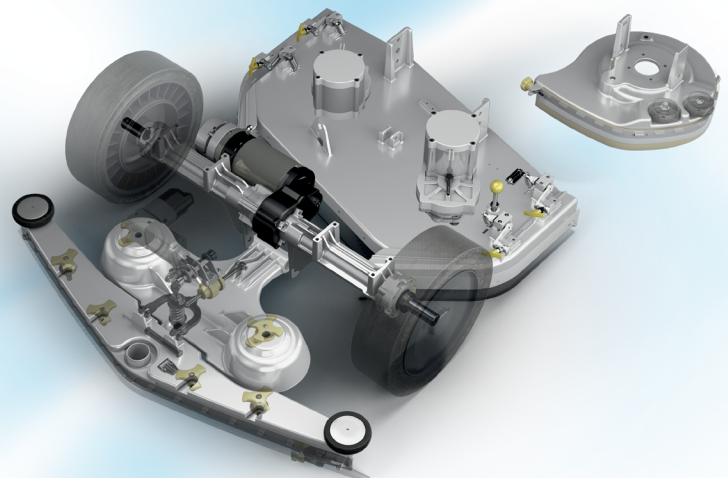
Brush Assembly



Designed to Last a Lifetime

Innovative Aluminum Chassis Components

The R36 Series combines the strength of steel and state-of-the-art aluminum to deliver an under-carriage built for performance. The key aluminum components are corrosion resistant, sturdy and durable, light weight and provide a precision fit.

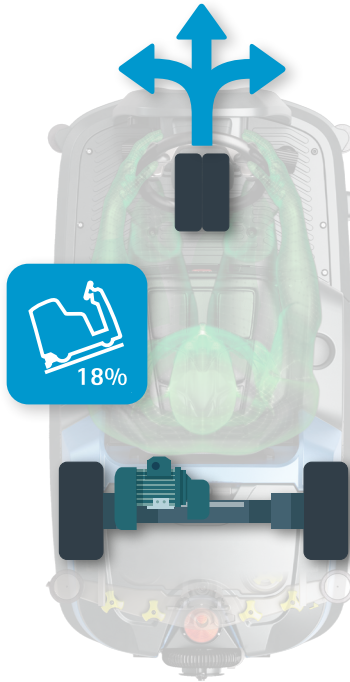


Performance

Outstanding Traction, Maneuverability and Cleaning

The Hillyard Trident R36 Series is engineered with dual rear-wheel drive while other manufacturers use single front-wheel pull systems. Rear-wheel drive comes with a host of advantages like:

- Battery and tank weight is evenly distributed over the heavy-duty rear axle providing more drive wheel traction.
- Easily climb ramps with an 18% slope.
- Better traction enhances safety and reduces potential for slipping.
- Frees up the dual front-wheel to deliver precise steering to turn and clean in any direction.



Lateral Moving Side Brush

The third brush moves laterally to facilitate cleaning along walls or shelves, increasing productivity by up to 15%.



Start & Stop Technology

When the machine is idle, the brush motor, vacuum motor, traction and detergent pump will turn off automatically, reducing costs and environmental impact. All the functions are reactivated automatically as soon as the operator accelerates.

Power Mode For Heavy Soil

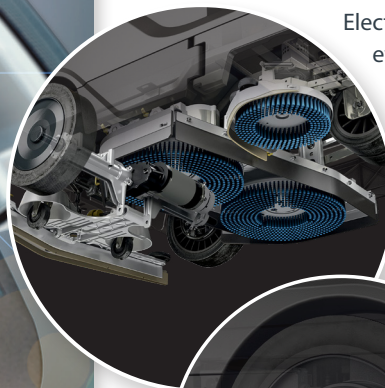
POWER mode



Activate the Power Mode to increase the delivery rate of detergent solution, boost brush pressure, and increase vacuum power to tackle heavy duty cleaning. Let Power Mode run for the full length of its 60-second countdown clock, or stop it with a touch at anytime.

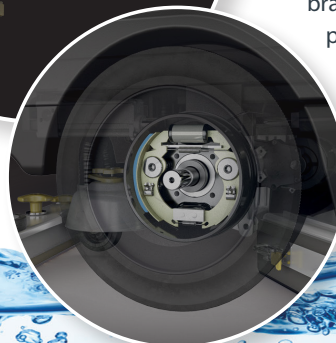
Adjustable Pressure To Clean

Electronically-controlled pressure setting tackles even the most stubborn soils by applying up to 330 lbs. of brush pressure.



Hydraulic Drum Brakes

Self-adjusting hydraulic drum brakes deliver the best braking performance.





Safety



Anti-Collision System

The anti-collision system detects obstacles when reversing, helping the operator work in complete safety and protects the machine.



Emergency Stop

By pressing a single button the machine stops immediately.



LED Lighting

Front and rear LED headlights maximize work safety in all conditions.



Descent Control

Maintains a constant speed and prevents a sudden increase in speed when driving downhill.



Steering Wheel Controls

The steering wheel controls offer the operator even greater control when cleaning. Also improves safety by eliminating distractions and letting the operator keep his or her eyes on the path ahead.



Rear-View Camera

Rear-view camera lets the operator monitor cleaning results in real time from the display, without taking his or her eyes off the direction of travel.



Stop & Go Control

The traction control system, which brakes and holds the machine when the accelerator pedal is released, provides assistance on both uphill and downhill gradients.



One-Touch - Service On Site

One-touch service contact in case of emergency. Pushing the red button will automatically send an e-mail to the authorized Hillyard service department on record so they can quickly act on the request.



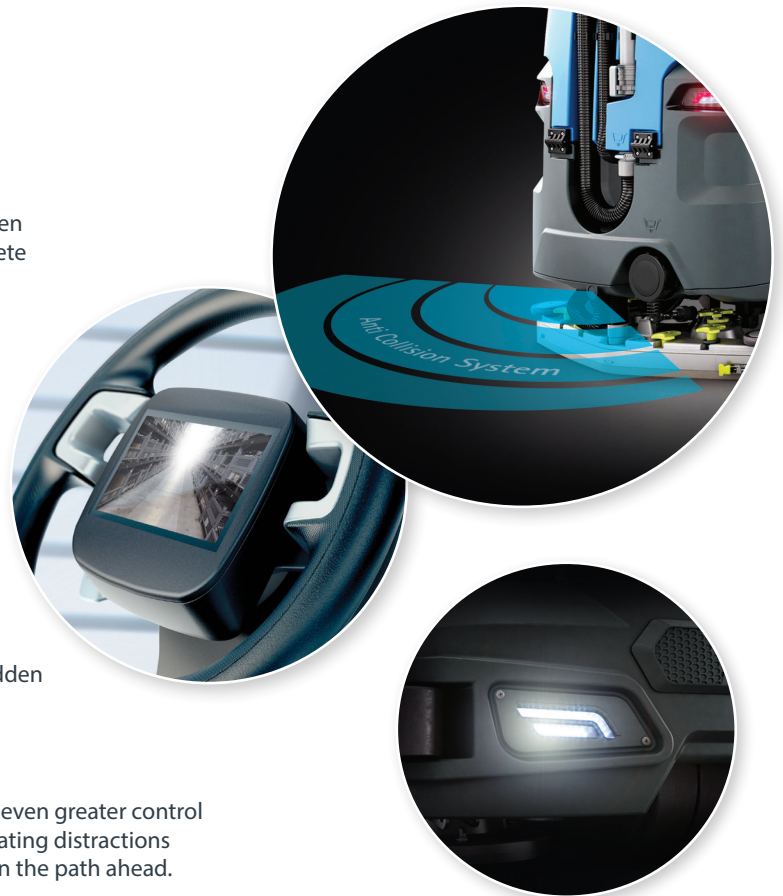
Automatic Electro Braking

Automatically operated safety brake engages when the machine stops. It acts as a safety parking brake.



ESC - Electronic Stability Control

Automatically reduces speed when turning without the operator using the brake.



Eco Mode For Conservation

The Eco Mode function helps conserve water, detergent and energy by using only the quantities you need and nothing more.



Better Built. Better Equipment.

Intelligent Drive Technology



Advanced Technology A Finger-Tip Touch Away


TOUCH SCREEN
DISPLAY



LOG-IN WITH
PASSWORD


PERSONALIZED
WORK ZONE
PROGRAMS


CRUISE
CONTROL


SUSTAINABLE
CLEANING


TOUGH
CLEANING


REAR-VIEW
CAMERA


ANTI-COLLISION
SYSTEM


VIDEO
TUTORIALS

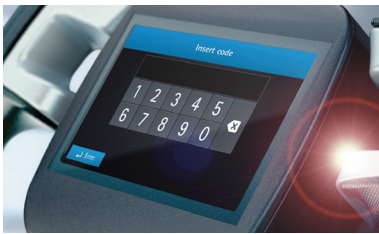


Simplified Cleaning and Control

The operator is the center of a high-tech universe, where everything is easy and intuitive.

All functions and activities are managed from a single interface, where a mere touch of the finger offers access to an extraordinary choice of customizable features that satisfy all types of requirements with effortless simplicity.

The high-definition color display offers the same intuitive experience as a smartphone.



LOG-IN WITH PASSWORD

Protect your investment and personalize the settings.



CUSTOM WORK ZONE PROGRAMS

One-touch equipment settings for area types or different operators.



ONBOARD DIGITAL INSTRUCTIONS

Giving you all the information you need exactly when you need it.



REAR-VIEW CAMERA

Keep everything under control.



ECO MODE

Sustainable, cost-effective cleaning.



POWER MODE

Maximum power for tough cleaning.

NO TRAINING The integrated video tutorials show how to perform routine maintenance.



Join The Connected Cleaning World*

Keep tabs on your machines remotely whenever you want and from wherever you want!



Hillyard Fleet Management



GEOLOCATION

Know where your machines are.



USAGE DATA

Know who's using your machine and how it is being used.



MAINTENANCE

Know the health status of machines.



TELEMETRY†

Critical machine data is always being monitored for peak performance.



An authorized Hillyard Trident Service Center can view real-time telemetry data, diagnose systems, and update settings over the internet - keeping your equipment running at peak performance - and minimizing downtime.

* Requires optional Hillyard Fleet Management module and subscription.

† Battery charging information is available on equipment with onboard charging systems.



Knowledge Is Power

Making technology available to improve efficiency is one of the core missions of Hillyard. It gives you the power to make the right decisions for your cleaning program.

HFM, the Hillyard Fleet Management system collects data sent by connected cleaning machines. When the machines are operating, valuable machine information is transmitted and easily accessible in real time, 24/7, from your smartphone.

Being constantly connected to your machines will help you operate them even more efficiently and effectively. Know where your machines are, and if the operation is being carried out according to plans at the scheduled time.

Machine health is constantly monitored. In the unlikely event of a breakdown, you'll receive an alert notification directly on your smartphone, allowing you to promptly take corrective action and immediately call technical support.

The sensors provide hard impact feedback. Now you will know how the equipment is being used.

It's time to get your cleaning world connected with Hillyard Fleet Management.

Sustainable Technologies



TES

Trident Energy Saver

Reduces energy consumption by up to 35%.

LED technology consumes much less - up to 80% less energy - than conventional headlights, offering a longer lifespan and illuminates with a brilliant natural daylight.



TDC

Trident Dosing Control*

Water and detergent are dosed separately, optimizing cleaning and reducing chemical and water consumption by up to 50%.



TFC

Trident Flow Control

Engineered water flow system that delivers equal solution to both scrub brushes ensuring proper coverage to deliver consistent cleaning quality.



* Optional System



Standard and Optional Equipment

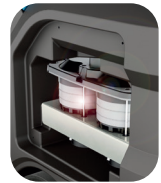
R36 SERIES

• STANDARD ○ DEALER INSTALLED OPTION - NOT AVAILABLE

	User Experience	R36SC Plus	R36SS Plus
Intelligent Drive	- 5 Inch High-Resolution Color Touch Screen	•	•
	- Log-In With Password	•	•
	- "Zone" Program	•	•
	- Cruise Control	•	•
	- Eco Mode	•	•
	- Power Mode	•	•
	- Rear-View Camera	•	•
	- Anti-Collision System	•	•
	- Video Tutorials	•	•
	Comfort		
	Hour Meter	•	•
	Cleaning Solution Level Indicator	•	•
	Water And Detergent Empty Tank Lights	•	•
	Seat with Armrests and Seat Belts	•	•
Productivity			
	Pressure Adjustment	•	•
	Right-hand Side Scrubbing Brush	•	-
	2 Sweeping Side Brushes	-	•
	3-Stage Vacuum Motor	•	•
	Trident Fast Fill	○ - HIL228435	○ - HIL228435
	Dual 3-Stage Vacuum Motor (Adds 1 Motor to Existing Motor)	○ - HIL227609	○ - HIL227609
	HFM - Hillyard Fleet Management with SOS	○ - HIL227743	○ - HIL227743
Safety			
	Blinking Light	•	•
	Driving (Front - Rear) And Service LED Light Pack Kit	•	•
	Super Elastic Wheel Kit (Front and Rear)	○ - HIL227593	○ - HIL227593
	Ramp Up	•	•
	Stop & Go	•	•
	Descent Control	•	•
	ESC (Electronic Stability Control)	•	•
	Emergency Stop	•	•
	Overhead Guard (Requires Front Bumper Kit)	○ - HIL227639	○ - HIL227639
	Front Bumper Kit	○ - HIL227640	○ - HIL227640
Environment			
	TDC - Trident Dosing Control	○ - HIL228266	○ - HIL228266
	TES - Trident Energy Saver	•	•
	TFC - Trident Flow Control	•	-
	Start & Stop Technology	•	•



Trident Fast Fill



Dual 3-Stage Vacuum Motor



Super Elastic Wheel Kit



Overhead Guard Front Bumper Kit



Seat with armrests and seat belt.



Side Scrubbing Brush - R36SC Plus



Side Sweep Brushes - R36SS Plus

Better Built. Better Equipment.

Power Options

Maintenance Free



- The ultimate solution for simplicity and durability.
- Virtually maintenance free. Just plug in the charger when not in use.
- Full replacement three-year warranty with use of the included Protection from Overdischarge (POD) device.

Flooded Lead Acid

(Not Available as Factory Installed Option)



- Conventional deep-cycle battery for cleaning equipment.
- High quality, lower-cost alternative to maintenance-free batteries.
- Requires routine maintenance to maintain electrolyte levels and warranty. Pro-rated one-year warranty.

Battery Charger - Lester Summit Series II



Full replacement 3-year warranty



BLUETOOTH®

Featuring Bluetooth wireless communication with apps for Apple® and Android® phones and tablets. View charge cycle status, select the active battery profile, upload new profiles, change between on-board and off-board and download charge history records anytime using just a smart phone or tablet.



PERFORMANCE

Our Summit Series® II provides industry leading charging performance and intelligence. Our proprietary Progressive DV/DT charge algorithm ensures a precisely charged battery every time. The chargers are tested in extreme temperatures and operating conditions and built to last.

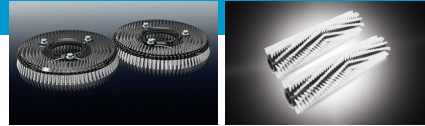


EFFICIENCY

Our switch mode (high frequency) chargers have best-in-class efficiency and are compliant with the latest DOE and CEC standards. We operate a CEC approved laboratory in our Lincoln, NE manufacturing plant.



R36 SERIES



Specifications		R36SC Plus	R36SS Plus
Hillyard Item Number		HIL56020	HIL56013
Cleaning Path	In	36	34
Cleaning Path with side Brush(es)	In	41	47
Squeegee Width	In	43.3	43.3
Disc Brushes	(No.) In	(2) 18	n/a
Cylindrical Brushes	In	n/a	(2) 8.27 x 34
Side Brush(es)	(No.) In	(1) 11	(2) 17.7
Solution Tank	Gal	50.2	50.2
Recovery Tank	Gal	52.8	52.8
Supply/Traction	V	36/Automatic	36/Automatic
Acoustic Level (Iso 11201)	Db (A)	<70	<70
Brush Motor(s)	(No.) V/W/HP	(2) 36/750/1	(2) 36/750/1
Vacuum Motor	V/W/HP	36/650/0.87	36/650/0.87
Traction Motor	V/W/HP	36/900/1.2	36/900/1.2
Brush RPM (Central/Side)	RPM/Min.	180/140	550/75
Brush Pressure - Variable Range	Lb	99-215-331	66-100-132
Forward Speed	MPH	0 - 5.6	0 - 5.6
Minimum Aisle Turn	In	96.5	96.5
Gradeability - (Working, Transport Gross Wt., Transport Net Wt.)	%	7 / 10 / 18	7 / 10 / 18
Productivity	Sq.ft/Hr	58,000	54,000
Battery Compartment Dimensions (L,H,W)	In	37.8, 15.8, 19.9	37.8, 15.8, 19.9
Machine Dimensions (L,H,W)	In	72.5, 51.1, 42.7	72.5, 42.7, 51.1
Machine Weight w/o Batteries	Lb	992	970
Contents		1 Machine, 2 Nylon Main Brushes, 2 Main Pad Holders, 1 Nylon Side Brush, 1 Side Pad Holder, 1 Owners Kit	1 Machine, 2 Nylon Cylindrical Brushes, 2 Side Brooms, 1 Owners Kit

ORDER WITH FACTORY INSTALLED BATTERIES

Equipment purchased with factory installed batteries include batteries, cables, and a shelf charger. TPPL machines are equipped with the required Protection From Overdischarge (POD) device.

Model	R30SC	R30SC Plus
Hillyard Item Number	HIL56020SLA	HIL56013SLA
Battery Type	Maintenance Free (TPPL)	Maintenance Free (TPPL)
Quantity	3	3
Voltage / Capacity	12 V / 186 AH	12 V / 186 AH
Dimensions LxWxH (in)	22 x 5.3 x 12.8	22 x 5.3 x 12.8
Weight, Each (lbs)	131	131
Includes	Machine, batteries, cables, shelf charger, POD device	Machine, batteries, cables, shelf charger, POD device

Squeegee Replacement Guide	R36SC Plus	R36SS Plus
Para 40Sh - Stubborn Dirt, Standard (Front and Rear Kit)	HIL227076	HIL227076
Para 33Sh - Routine Maintenance, Smooth Floors (Front and Rear Kit)	HIL227075	HIL227075
PU 40Sh - Heavy Duty, Grease Resistant (Front and Rear Kit)	HIL227077	HIL227077
Brush and Pad Guide	R36SC Plus	R36SS Plus
Main Brush(es) - Medium, 0.6MM PPL, White (Standard - Requires 2)	HIL447244	HIL447963
Main Brush(es) - Stiff, 0.9MM PPL, Black (Optional - Requires 2)	HIL447246	HIL447964
Main Brush(es) - Abrasive, 80 Grit, Gray (Optional - Requires 2)	HIL447248	HIL447965
Main Brush Pad Holder - (Requires 2)	HIL447251	n/a
Side Brush - Medium, 0.6MM PPL, White (Standard)	HIL427710	n/a
Side Brush - Stiff, 0.9MM PPL, Black (Optional)	HIL427711	n/a
Side Brush - Abrasive, 80 Grit, Gray (Optional)	HIL427712	n/a
Side Brush Pad Holder	HIL427713	n/a
Side Broom(s) for Cylindrical Only, PPL 1.0 (Requires 2)	n/a	HIL437874



PO Box 909
St. Joseph, MO 64502
www.hillyard.com

LIT-R36_FULL-0624

Subject to change without notice.