

## additional precautions

1. Inspect all parts for shipping damage before assembly. If there is shipping damage - DO NOT USE. Contact dealer/carrier for further instructions.
2. Make certain that the height adjusting snap buttons fully protrude through the same respective hole of each leg extension. This will ensure that the leg extensions are securely locked in position and an even height is achieved.
3. Ensure ALL screws, nuts and/or bolts are tightened.
4. Check the rubber tips on the leg extensions for rips, wear or if they are missing. Immediately replace any or all if any of these imperfections exist.
5. All four leg extensions with rubber tips MUST touch the floor simultaneously at all times.
6. DO NOT stand on chair.

**NOTE:** To maintain the beauty of the original finish, clean with mild soap and rinse with warm water. Wipe bath seat dry after each use.

## adjusting leg height

1. Before use, adjust height of each leg to your specific needs, making sure all legs are at the same height. When desired height is reached, lock legs into place by aligning buttons into proper holes.

**NOTE:** Make sure all legs are set to the same height.

2. To be sure legs are locked into place, push down or pull up on legs.

## lifetime limited warranty

Your Drive branded product is warrantied to be free of defects in materials and workmanship for the lifetime of the product for the original consumer purchaser.

This device was built to exacting standards and carefully inspected prior to shipment. This Lifetime Limited Warranty is an expression of our confidence in the materials and workmanship of our products and our assurance to the consumer of years of dependable service.

This warranty does not cover device failure due to owner misuse or negligence, or normal wear and tear. The warranty does not extend to non-durable components, such as rubber accessories, casters, and grips, which are subject to normal wear and need periodic replacement.

If you have a question about your Drive device or this warranty, please contact an authorized Drive dealer.



© 2014 Medical Depot, Inc. All rights reserved.  
Drive is a trademark of Medical Depot, Inc.  
Port Washington N.Y. 11050 USA Made in China

## transfer tub bench

item # 12011KD-1



EU Authorized Representative  
Drive Medical LTD  
Ainley's Industrial Estate  
Elland, West Yorkshire,  
United Kingdom HX5 9JP

[www.drivemedical.com](http://www.drivemedical.com)

# assembly instructions

**Weight Capacity: 400 lbs / 181 kg**

1. Remove contents from carton.
2. Lay transfer bench upside down on a flat surface.
3. Attach leg with the large suction cup (marked "A") by depressing the brass push pin and inserting into the receptacle with the matching "A". Repeat for second leg (Figure 1).



figure 1

4. Attach leg with small rubber tip (marked "B") by depressing brass push pin and inserting into the receptacle with matching "B". Repeat for second leg (Figure 2).

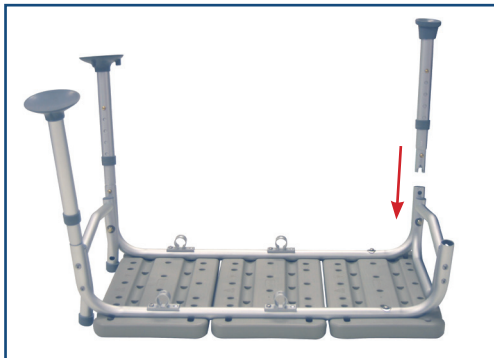


figure 2

5. Turn transfer bench right-side-up. Attach armrest by depressing brass push pins and sliding into the arm receptacle on the side of the bench. Make sure the arm arcs outward, not inward (Figure 3).



figure 3

6. To assemble backrest, insert pole into backrest support by depressing push pin and sliding into receptacle. Repeat for second pole (Figure 4).

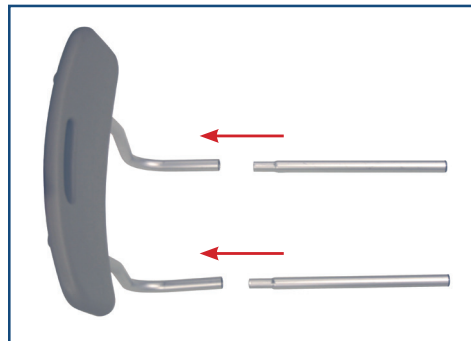


figure 4

7. Insert backrest into base by depressing push pins and sliding supports through both receptacles. Note: Backrest must go through both sets of receptacles to become secure (Figure 5).



figure 5

NOTE: Back support is reversible to accommodate left or right tub entry. You can also change the seat depth of your transfer bench by pushing the pins under the seat and sliding the tubes forward until the pins lock into place.

8. Place legs with suction cups into bath tub.



## lifetime limited warranty

Your Drive brand product is warranted to be free of defects in materials and workmanship for the lifetime of the original consumer purchaser.

This device was built to exacting standards and carefully inspected prior to shipment. This Lifetime Limited Warranty is an expression of our confidence in the materials and workmanship of our products and our assurance to the consumer of years of dependable service.

This warranty does not cover device failure due to owner misuse or negligence, or normal wear and tear. The warranty does not extend to non-durable components, such as rubber accessories, casters, and grips, which are subject to normal wear and need periodic replacement.

If you have a question about your Drive device or this warranty, please contact an authorized Drive dealer.



© 2013 Medical Depot, Inc. All rights reserved.  
Drive is a trademark of Medical Depot, Inc.  
Port Washington N.Y. 11050 USA Made in USA

## plastic transfer bench

item # RTL12011KDR



EU Authorized Representative  
Drive Medical LTD  
Ainley's Industrial Estate  
Elland, West Yorkshire,  
United Kingdom HX5 9JP

[www.drivemedical.com](http://www.drivemedical.com)

A large, vertical version of the Drive logo, oriented sideways. The word "drive" is written in white on a dark blue background. The letter "i" has a yellow square above it, and a small "TM" trademark symbol is positioned above the top of the "e".

[www.drivemedical.com](http://www.drivemedical.com)

# assembly instructions

**Weight Capacity: 400 lbs (181 Kg)**

1. Remove contents from carton.
2. Lay transfer bench upside down on a flat surface.
3. Attach leg with the large suction cup (marked "1") by depressing the brass push pin and inserting into the receptacle with the matching "1". Repeat for second leg (Figure 1).



figure 1

4. Attach leg with small rubber tip (marked "2") by depressing brass push pin and inserting into the receptacle with matching "2". Repeat for second leg (Figure 2).

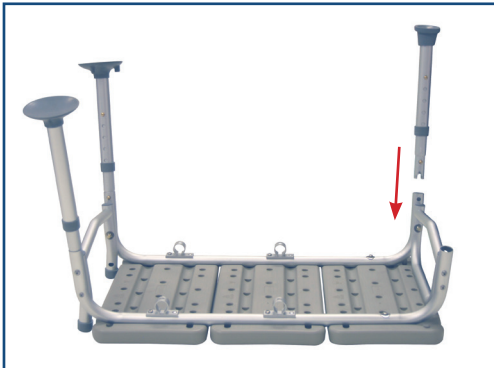


figure 2

5. Turn transfer bench right-side-up. Attach armrest by depressing brass push pins and sliding into the arm receptacle on the side of the bench. Make sure the arm arcs outward, not inward (Figure 3).



figure 3

6. To assemble backrest, insert support tube into backrest support by depressing push pin and sliding into backrest tube. Repeat for second support tube (Figure 4).

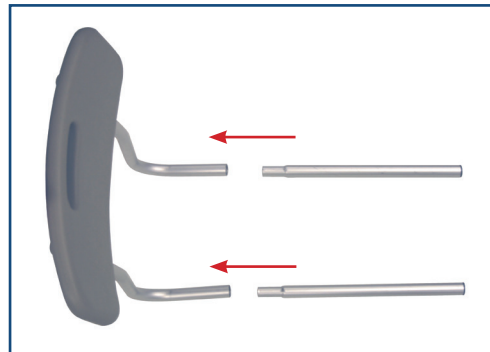


figure 4

7. Insert backrest into base by depressing push pins and sliding support tubes through both receptacles. Note: Backrest must go through both sets of receptacles to become secure (Figure 5).



figure 5

NOTE: Back support is reversible to accommodate left or right tub entry. You can also change the seat depth of your transfer bench by pushing the pins under the seat and sliding the tubes forward until the pins lock into place.

8. Place legs with suction cups into bath tub.

