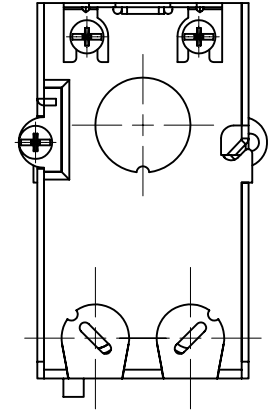
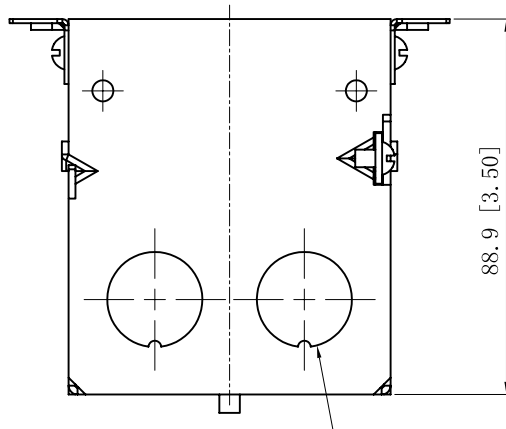
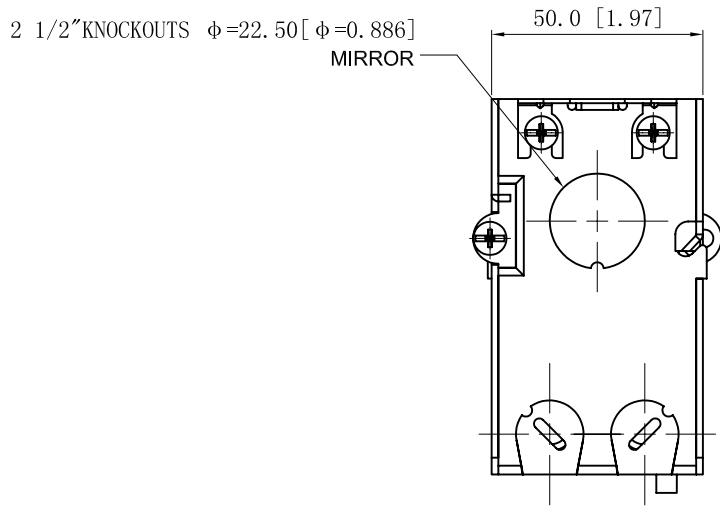
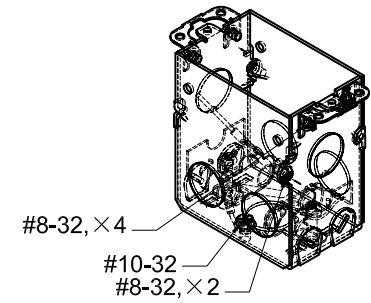
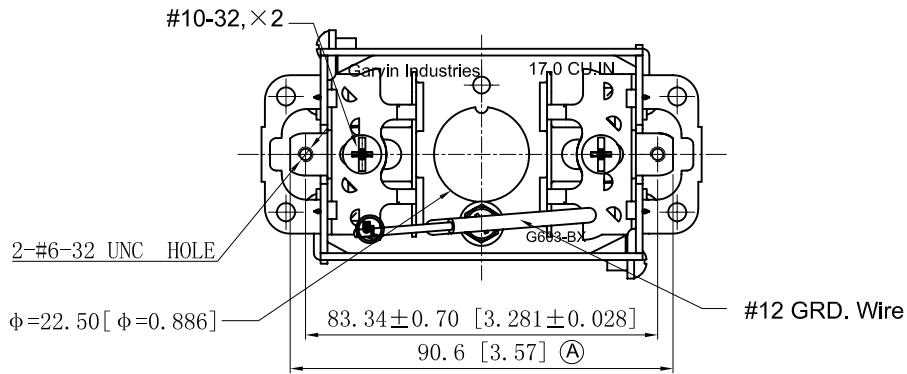


SIDES	BOTTOM
4 KNOCKOUTS	2 1/2" KNOCKOUTS
6 1/2" KNOCKOUTS	
4 PCS 8-32×3/16 Screws Installed	
2 PCS 8-32×1/4 Screws Installed	
1 PCS 10-32×3/8 Screws Installed	
2 PCS 10-32×1 Screws Installed	
1 PCS #12 Grd.Wire-8 long Installed	
Material:Steel-0.0625"-G60 Galvanized	



This data sheet is for reference only .GARVIN INDUSTRIES reserves the right to make changes to the design without prior notice.

DESCRIPTION
TRADE REFERENCE TERMS

STANDARD PACKING	<h1 style="text-align: center;">GARVIN INDUSTRIES</h1>		
25 PCS			
	SIZE	DWG NO.	REV
	A4	G603-BX	D
		DATA SHEET	