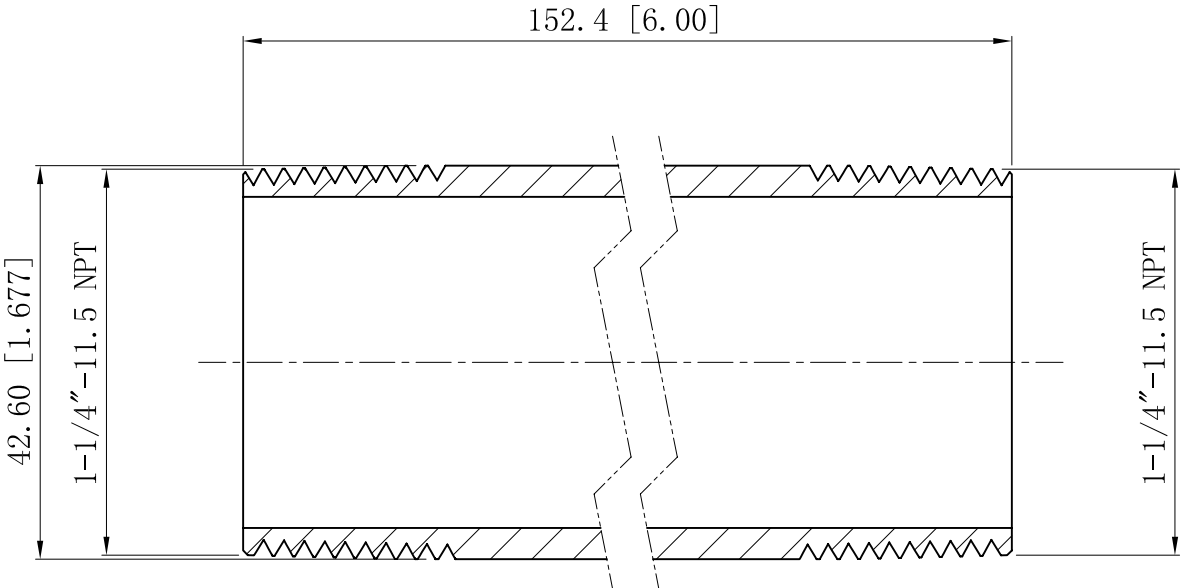
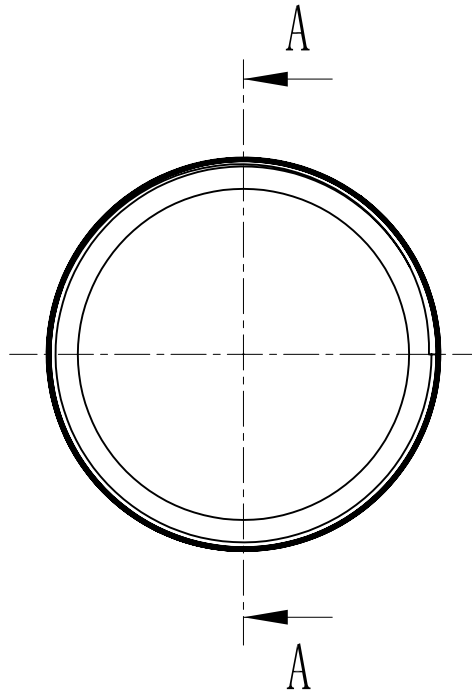


SIDES	BOTTOM
Material: Steel-Welding tube, zinc plated	



CUTAWAY VIEW A-A



DESCRIPTION
TRADE REFERENCE TERMS

This data sheet is for reference only .GARVIN INDUSTRIES reserves the right to make changes to the design without prior notice.

STANDARD PACKING	<h1 style="text-align: center;">GARVIN INDUSTRIES</h1>		
5 PCS			
TITLE	RIGID CONDUIT NIPPLES		
SIZE	DWG NO.		REV
A4	RN125600		
DATA SHEET			