

Item: 5889-80111-00

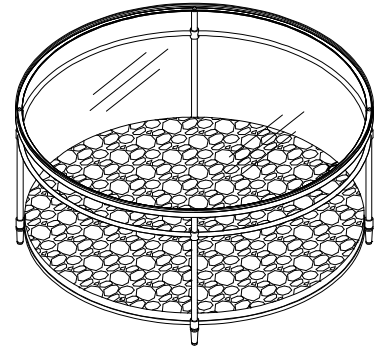
Desc: ROUND COCKTAIL TABLE

Thank you for purchasing this quality product. Be sure to unpack carefully looking for small parts which may have come loose during shipment.

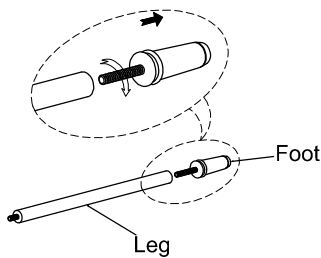
Read all instruction and study the drawing carefully before starting the assembly process:

HARDWARE PACK

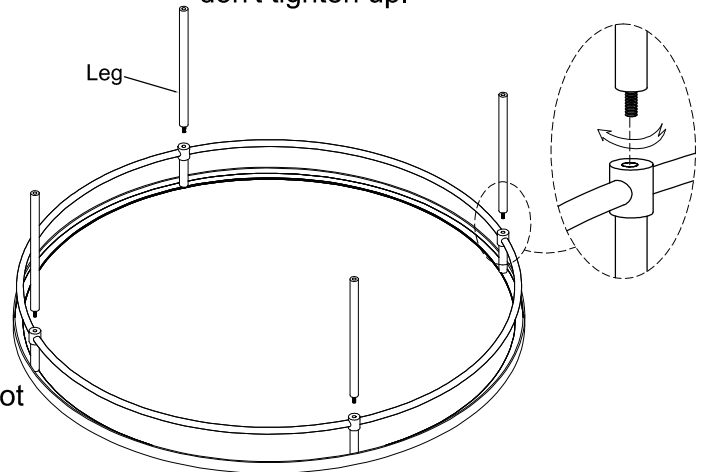
NO	DRAWING	DESCRIPTION	SIZE	Q'TY
A		Glass Pad	Ø12*4mm	6pcs



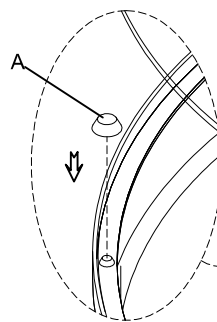
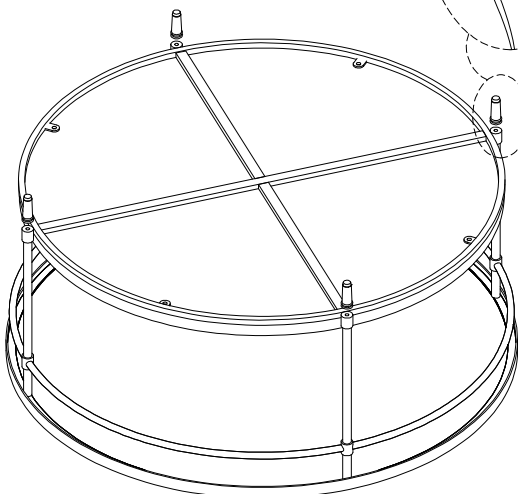
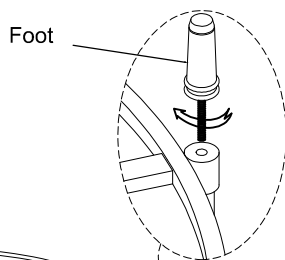
**Step 1** Foot and Leg were screwed together for shipping purposes. Firstly unscrew the Foot and Leg.



**Step 2** Attach the Legs to the Top frame and don't tighten up.



**Step 3** Attach the Bottom Stretcher, align the Foot legs and top frame then tighten up the legs and foot.



Adjust leveler if needed to level case on uneven floor

