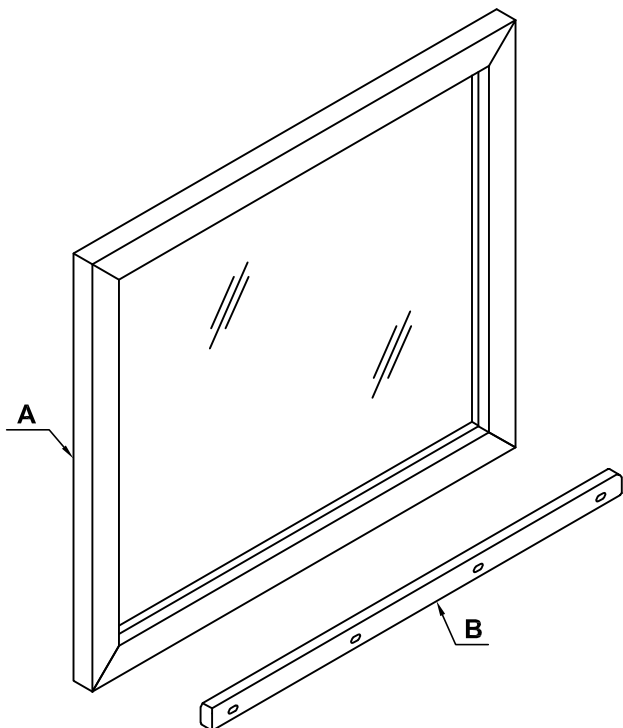


LUCERNE MIRROR ASSEMBLY INSTRUCTIONS

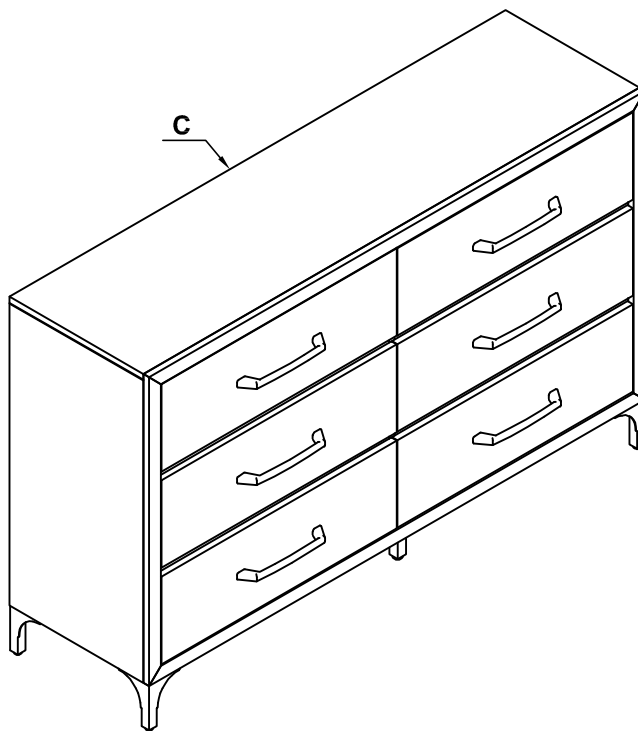


BOX #1



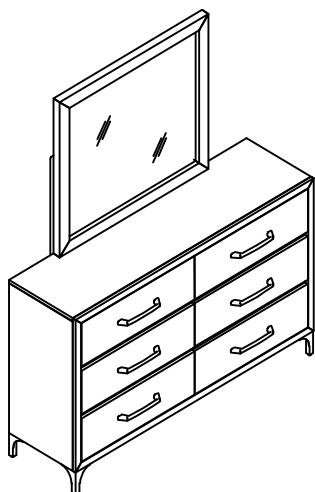
- A. DRESSER MIRROR 1PC
- B. MIRROR SUPPORT 2PCS

BOX #2



- C. 6 DRAWER DRESSER 1PC (SOLD SEPARATELY)

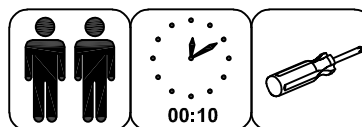
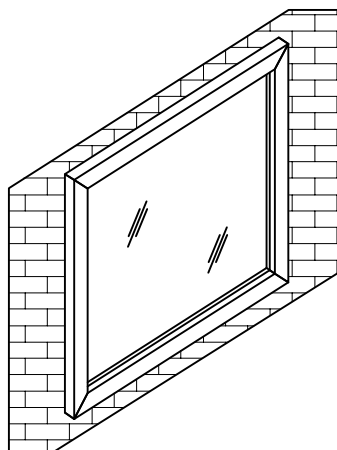
OPTION 1



HARDWARE PACKED IN BOX #1

1	ALLEN BOLT (6x35mm)		8 PCS
2	SPRING WASHER (M8)		8 PCS
3	FLAT WASHER (M8)		8 PCS
4	ALLENKEY (M4)		1 PC
5	WOOD SCREW (4x40mm)		2 PCS

OPTION 2



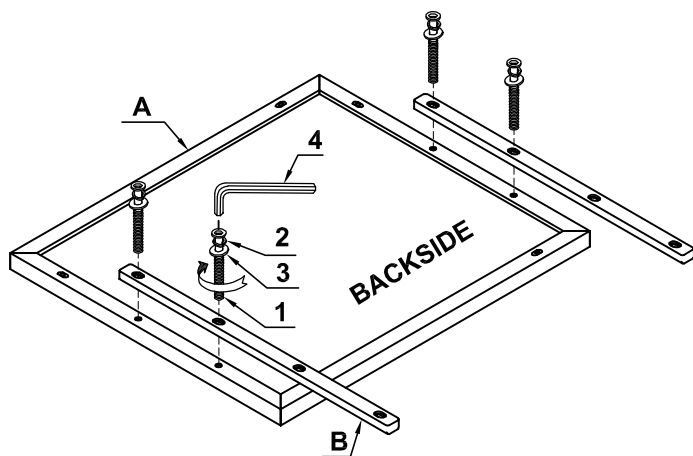
Not provided

LUCERNE MIRROR ASSEMBLY INSTRUCTIONS

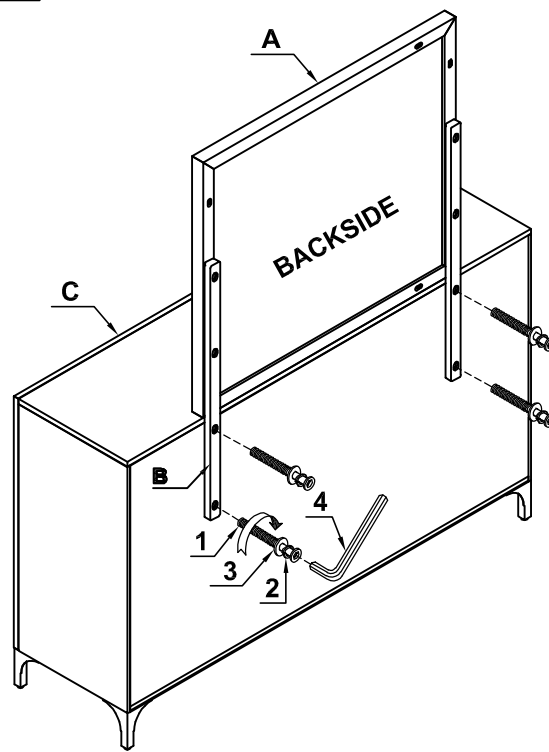


OPTION 1: ATTACHING MIRROR TO DRESSER

STEP 1:



STEP 2:



OPTION 2: ATTACHING MIRROR TO WALL

Pre-Installed mirror brackets are teardrop shaped. Test connection between mirror bracket and the mounting hardware before installing for a secure fit. Install mounting hardware on the wall. Make sure the distance between mounting hardware center on the wall matches the distance between brackets center of the mirror.

CAUTION! We recommend installing mounting hardware in wall studs or a board that is secured to the studs. Consult a professional installer before installing in drywall.

Hang the mirror from the mounting hardware. Ensure teardrop brackets have caught the mounting hardware.

