

OVERVIEW

The Sensor Switch WPD is an economical commercial grade forward phase paddle dimmer for LED, CFL, Incandescent, and self ballast devices. The WPD allows the user or installer to set high and low trim settings and return to default easily and efficiently. Its elegant design does not compromise function, whereas this device offers extremely smooth dimming control that meets NEMA SSL-7A requirements.

FEATURES

- Perfect Replacement for regular wall ON/OFF & Dim switch, 120VAC
- Manual ON/OFF& Dim control of any permanently installed incandescent, dimmable LED, and CFL lamp fixture
- Preset light level option allows the dimmer will turn on to the light level that it was adjusted to the previous time when the light was on.
- Can be used for single pole or 3-way control with a regular ON/OFF mechanical switch (sold separately)
- Capable of setting maximum and minimum dimming range (see installation instructions)
- Air-Gap Switch feature meets UL requirements and disconnects power from load locally.
- Programming Status LED Indicator
- Includes screw-less wall plate
- Fully Meet NEMA SSL -7A

Warranty

5-year limited warranty. Complete warranty terms located at:
www.acuitybrands.com/support/warranty/terms-and-conditions

Note: Actual performance may differ as a result of end-user environment and application. Specifications subject to change without notice.



WPD
Phase Dimming Wall Switch



ORDERING INFORMATION

WPD	
Series	Color
WPD Phase Dimmer Wall Switch	WH White IV Ivory

SPECIFICATIONS

Electrical

Input Ratings 120VAC, 60 Hz

Max Dimming Load Incandescent 600W, ELV 300W, MLV 250W

Max Dimming Load (LED/CFL) 2A (150W)

* Please See Installation Instruction for multi-gang Install and Fixture Derating

Mechanical

Device Mounting Single or Multi-Gang Wall Box

Supply Connection 14 AWG Wires

Wire Strip 16mm (5/8 in)

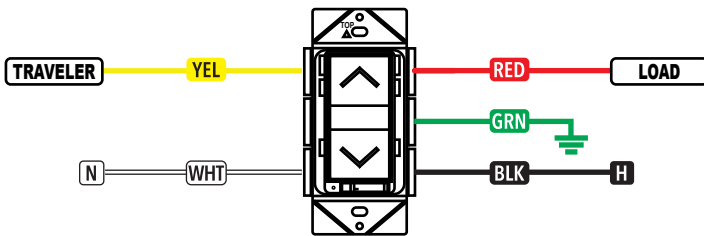
Screw Torque 20 lbf-in

Environmental

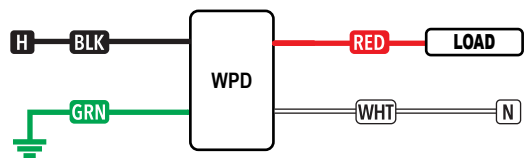
Warrantied Operating Temperature 32 degree to 104 degree (0 degree to 40 degree C)

Standards/Ratings UL 1472, NEMA SSL 7A

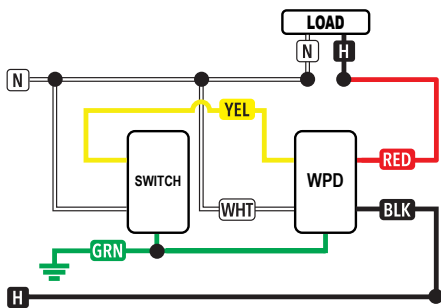
WIRING DIAGRAM



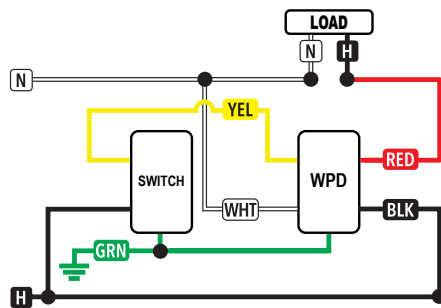
TYPICAL DIMMER WIRING



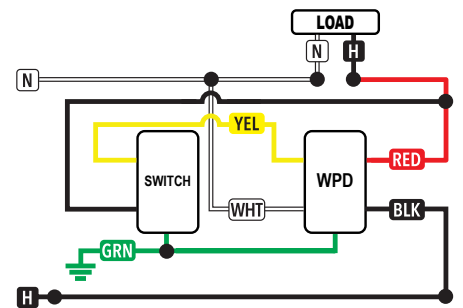
3-WAY WIRING SCHEMATIC USING ONE WPD AND ONE REGULAR ON/OFF MECHANICAL SWITCH



Wiring Method 1



Wiring Method 2



Wiring Method 3