

Installation Instructions

Digital User Interface

Record your model number:

Noter le numéro de modèle:

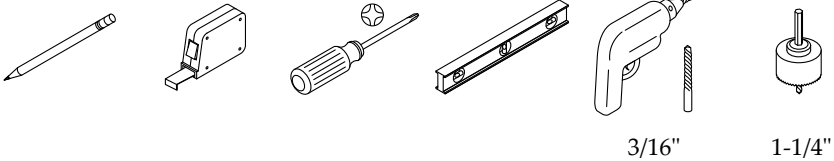
Anote su número de modelo: _____

Français, page 8





Español, página 14

KOHLER®

Tools and Materials



IMPORTANT INSTRUCTIONS

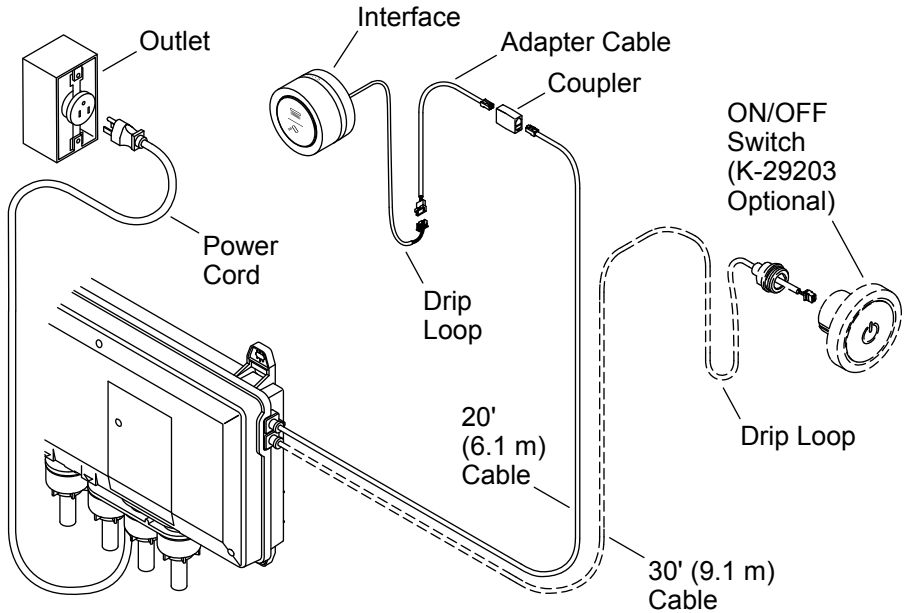
-  **WARNING:** When using electrical products, basic precautions should always be followed, including the following:
-  **WARNING:** Risk of electric shock. A qualified electrician should route all electrical wiring.
-  **WARNING:** Risk of electric shock. Disconnect the power before servicing.
-  **WARNING:** Risk of injury or property damage. Read all instructions thoroughly before beginning installation.

NOTE: Product is compatible with the Kohler Mode App, available from the App Store and Google Play.

NOTE: If possible, install the product on a flat and even wall surface, avoiding any grout lines.

Follow all plumbing, electrical, and building codes.

1. Plan the Components



NOTE: The digital valve contains wireless capability for control via the Kohler Mode App. Ensure proper distance between the valve and the mobile device for a reliable connection (typically 30 ft or less). Do not extend the interface distance beyond the provided cables, as this will compromise connectivity.

NOTE: The ON/OFF switch (K-29203) is an optional accessory purchased separately. Install the ON/OFF switch following the instructions packed with the product.

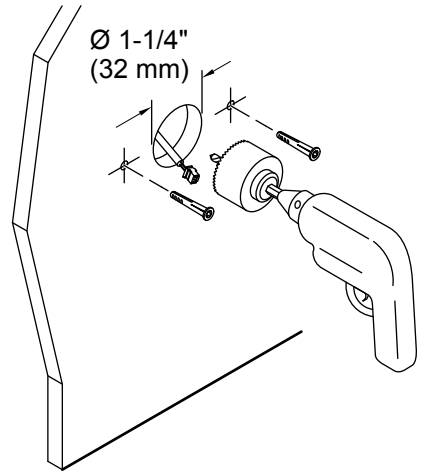
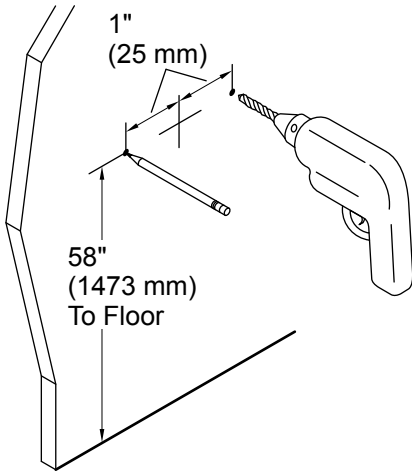
NOTE: Only one user interface or one user interface and ON/OFF switch (optional) combination can be installed per showering unit.

NOTE: Use a split boot to seal each cable connection to the valve.

- If not already installed, install the two-port digital valve following the instructions packed with the product.
- Determine the locations of all required components before beginning installation.
- Allow enough slack in the cables for drip loops.

- Route the cable(s) for the interface and the ON/OFF switch (optional) to the installation location(s).
- Complete the finished wall.

2. Prepare the Wall



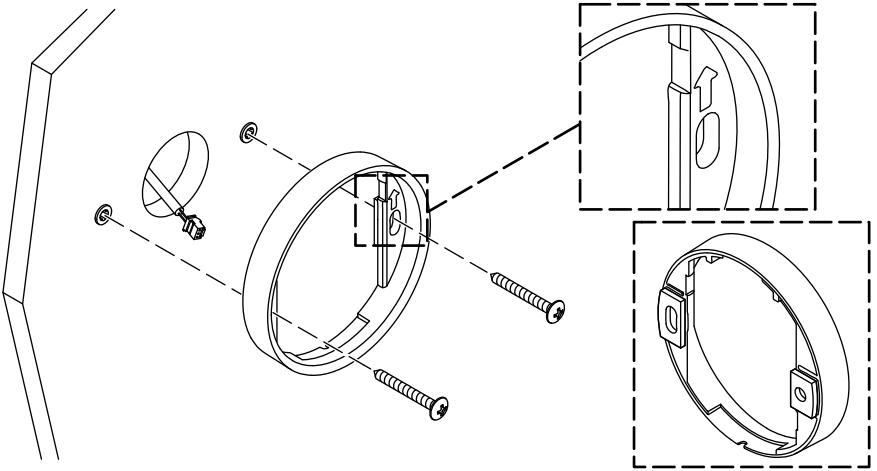
CAUTION: Risk of property damage. Do not drill into cables or pipes behind the wall.

NOTE: If possible, install the product on a flat and even wall surface, avoiding any grout lines.

NOTE: The recommended height above the floor is 58" (1473 mm).

- Mark the center of the interface installation location.
- Use a level and a pencil to mark the mounting hole locations, 1" (25 mm) to each side of the center hole.
- Drill a 1-1/4" (32 mm) hole at the center mark.
- Drill a 3/16" (5 mm) hole at the mounting hole locations.
- Install anchors into the mounting holes.
- Feed the interface cable from the digital valve through the center hole.

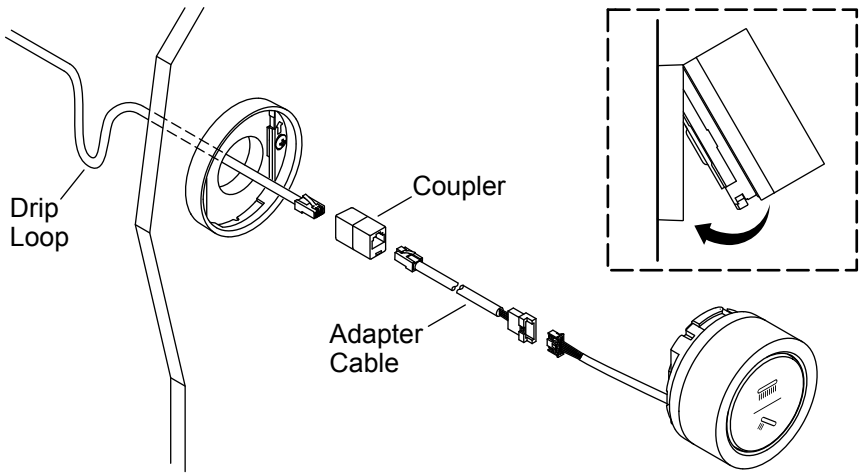
3. Install the Mounting Plate



NOTE: The arrows on the mounting plate should point upward.

- If grout lines cannot be avoided, apply caulk to the mounting plate and/or interface gasket.
- Secure the mounting plate to the wall with the two screws. Do not overtighten.
- Feed the cable from the wall through the mounting plate.

4. Install the Interface



IMPORTANT! Make drip loops in all cables.

- Apply grease (provided) into both ends of the coupler and the adapter cable.
- Connect the adapter cable to the coupler and to the cable from the interface.
- Connect the cable from the wall to the coupler.
- Make sure that all of the cables are clicked into place.
- Feed the cables and coupler into the hole in the wall. Make sure a drip loop is made.
- Tilt the top of the interface onto the mounting bracket, then press the bottom until it clicks into place.