

# SPEAKMAN® VS-125

## Vacuum Breaker

### FEATURES:

- Chrome plated brass elevated vacuum breaker assembly.
- ½ in. NPTM inlet and outlet.
- NOTE: Do not install in concealed locations or where slight spillage under certain service conditions might cause water damage. Avoid continuous pressure applications (shut off valve downstream of vacuum breaker).

### FINISH:



PC

### COMPLIANCE:

- Vacuum breaker only is approved under ASSE 1001, CSA B64.1.1, and IAPMO

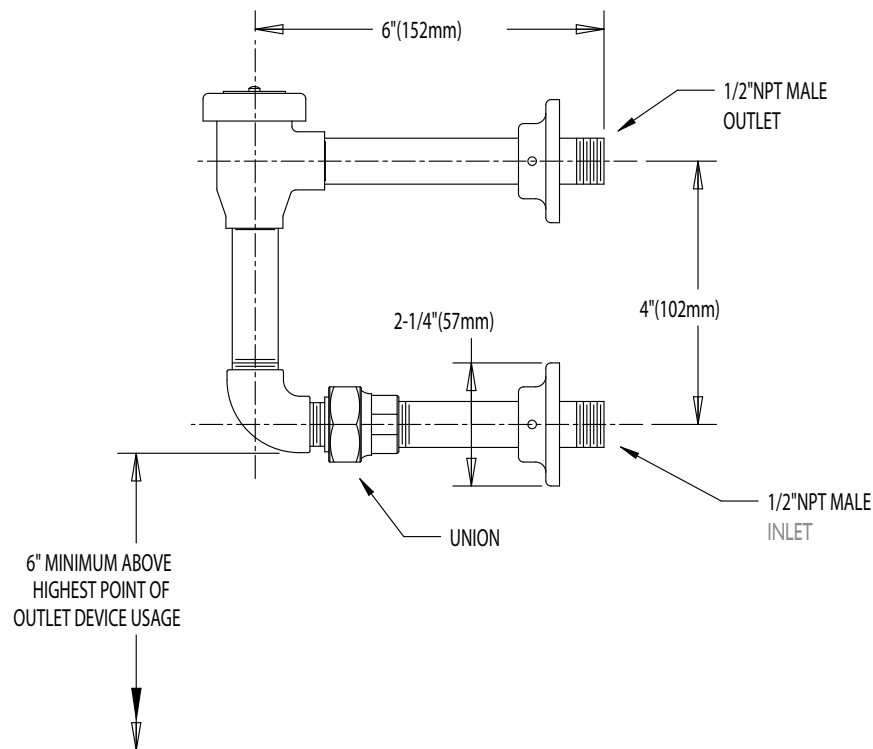
### WARRANTY:

- 5 year limited



### DIMENSIONS:

NOTE: 1. All dimensions are in inches (millimeters) unless otherwise specified and are subject to change without notice.



Architect/Engineer Approval Space:

SPEAKMAN  
400 ANCHOR MILL ROAD  
NEW CASTLE, DE 19720

P: 800-537-2107  
F: 800-977-2747  
W: WWW.SPEAKMAN.COM  
R: AUGUST 2017