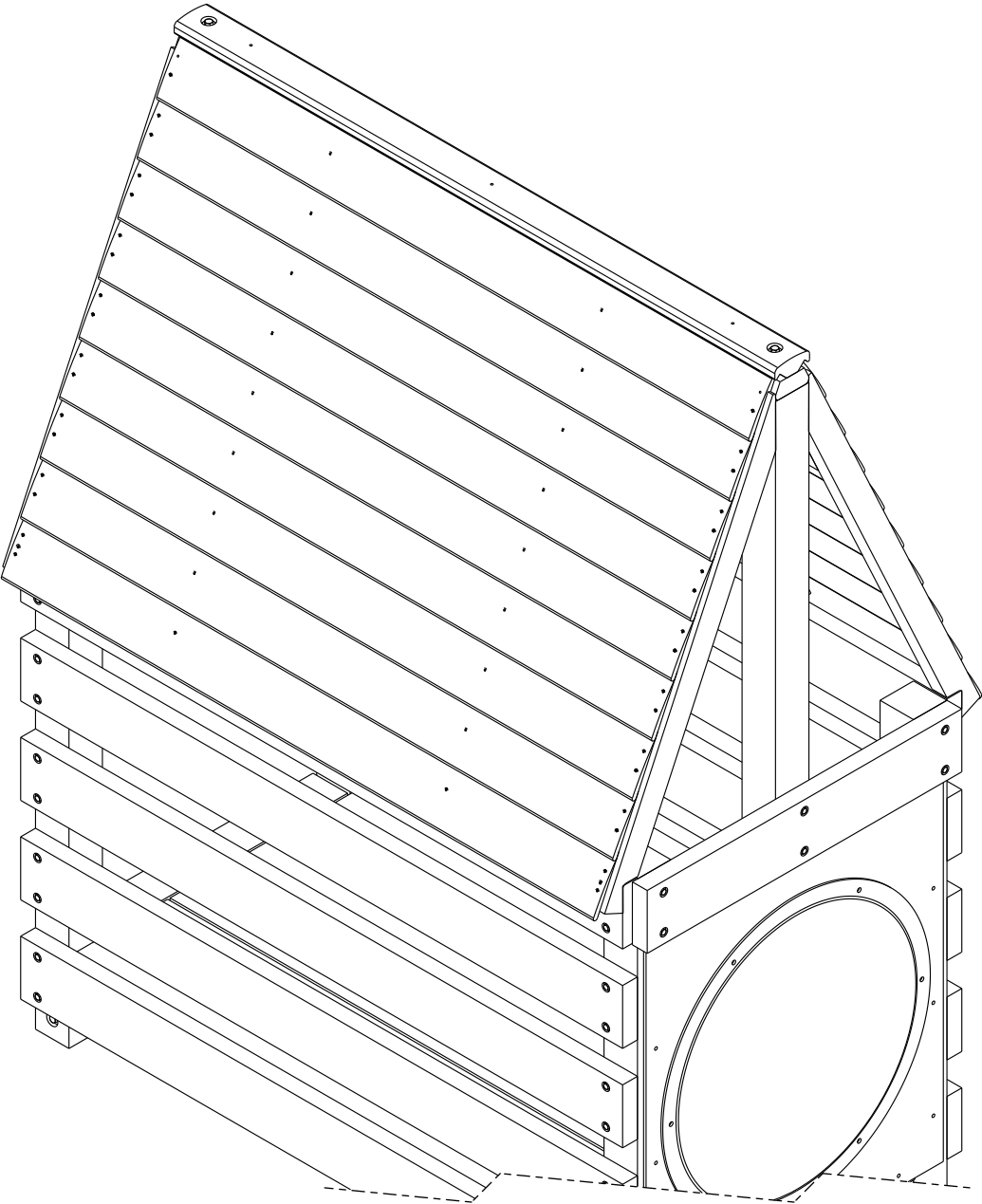
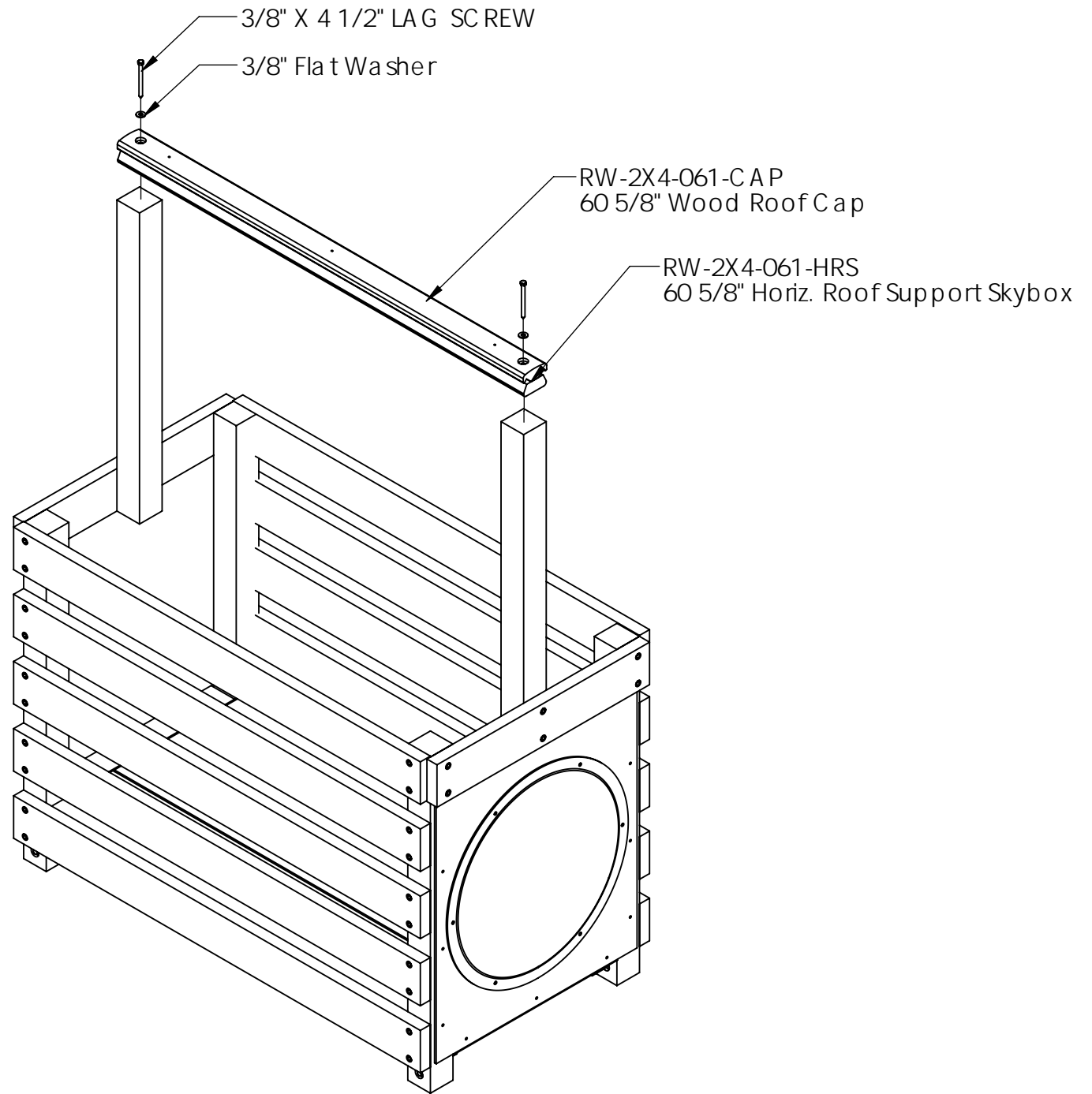
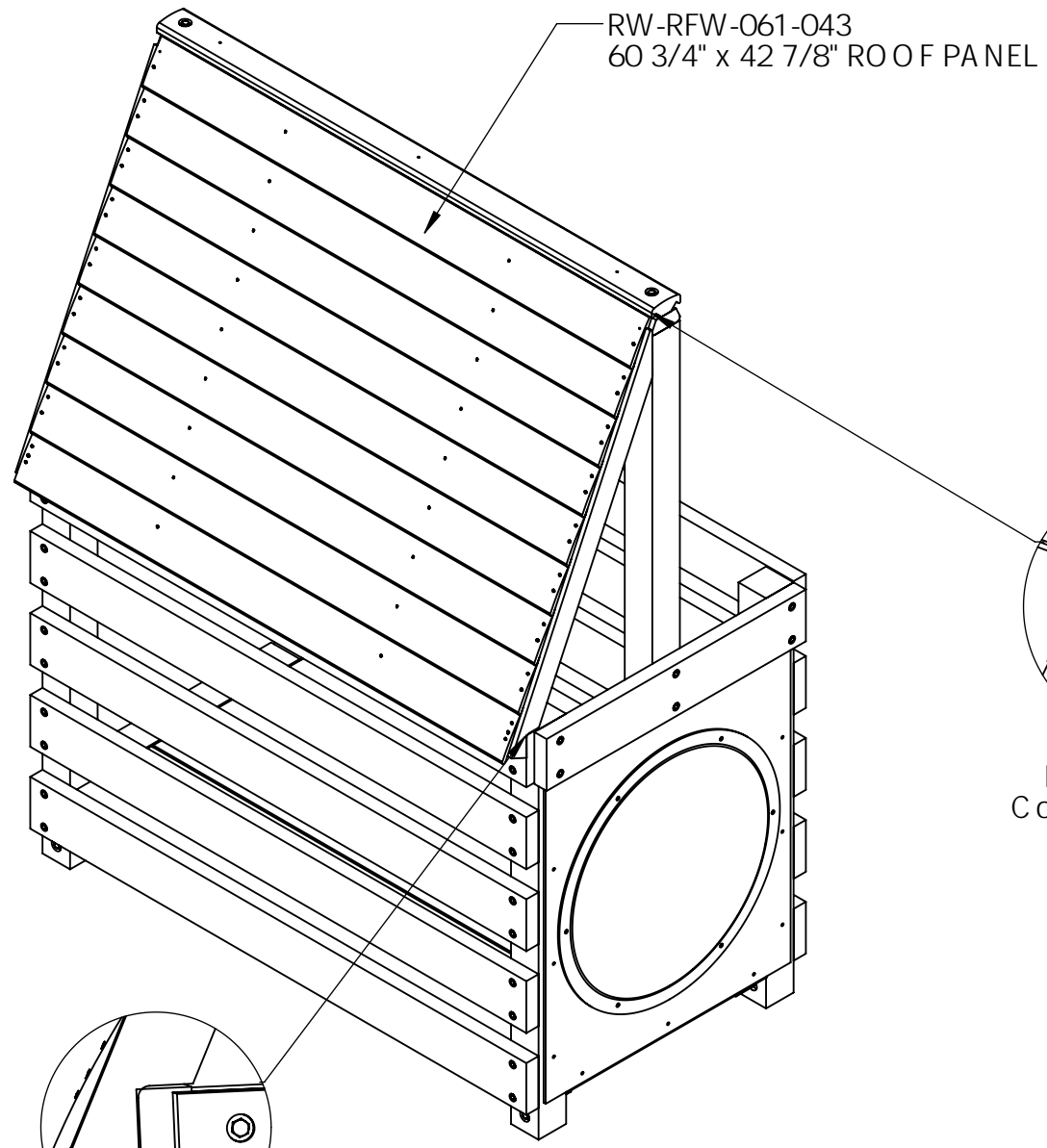


# Skybox Wood Roof Instructions



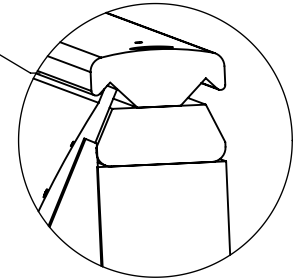


1. Attach Wood Roof Cap and Roof Support as show.

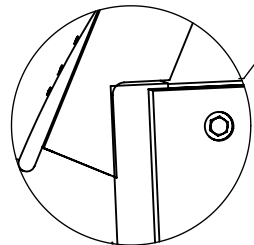


RW-RFW-061-043  
60 3/4" x 42 7/8" ROOF PANEL

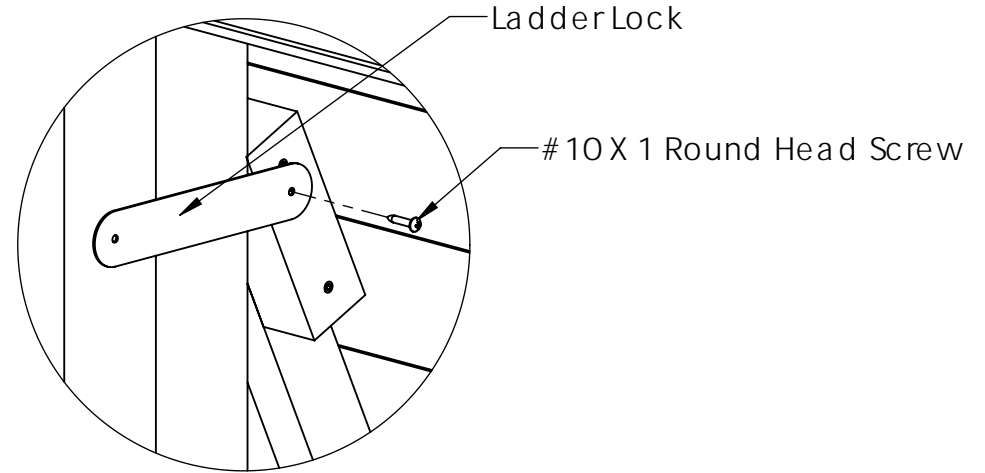
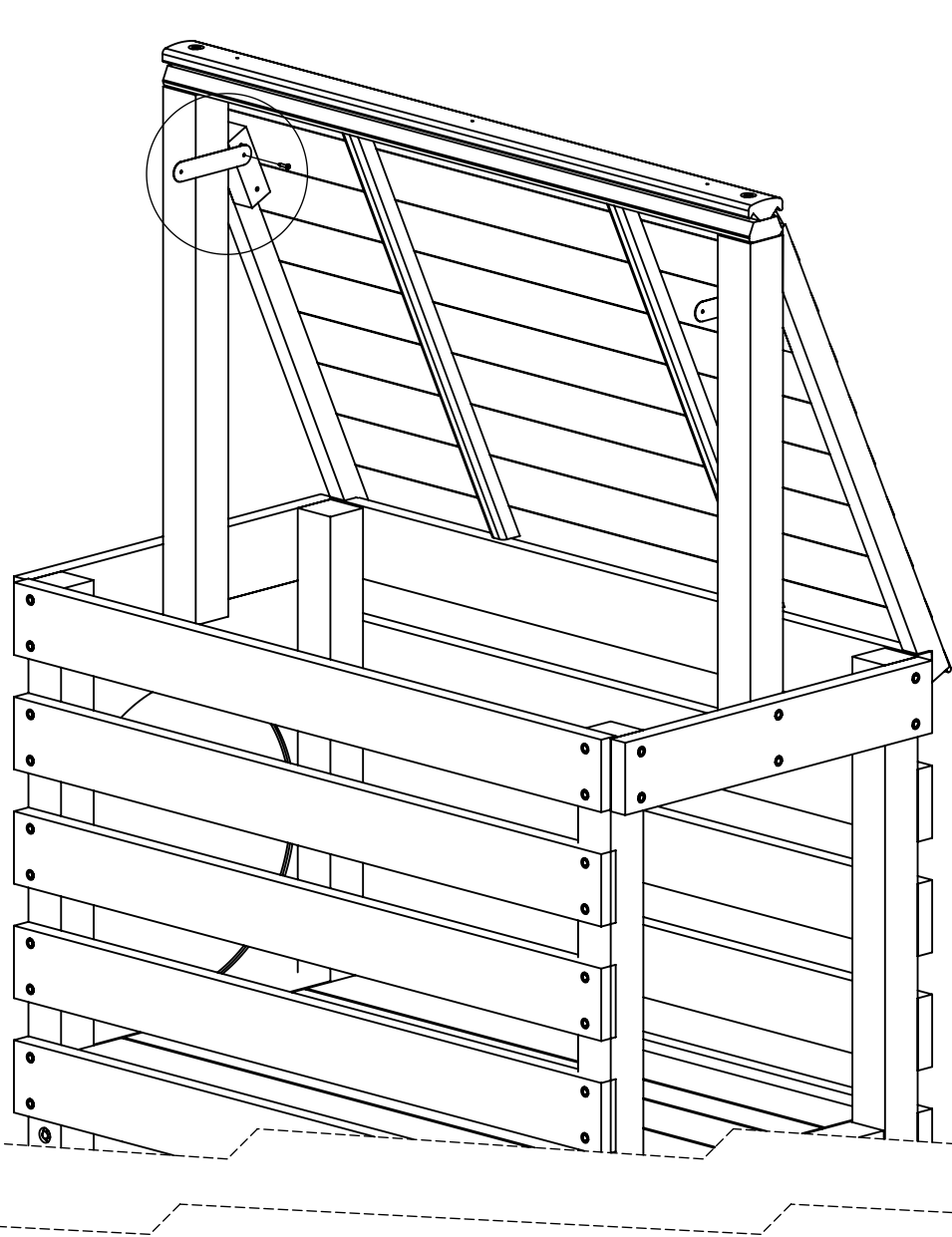
1. Insert Roof Panel completely into Roof Cap as shown.
2. Secure Roof Panel with #10X 2 1/2" Wood Screws.



Insert Roof Panel Completely into Cap



Rest Roof Panel on Safety Rail



1. Attach Ladder Lock to Roof Panel as shown and proceed to the next step.

