



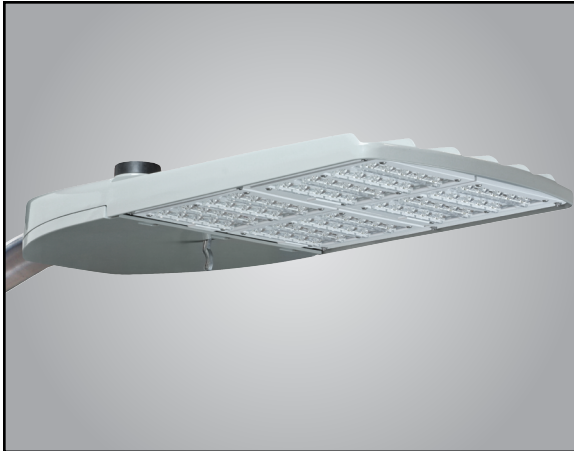
Consistent with LEED® goals & Green Globes™ criteria for light pollution reduction



Autobahn Series ATB2

Roadway Lighting

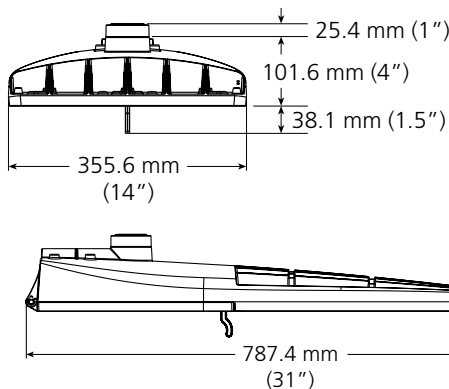
PRODUCT OVERVIEW



Applications:

- Roadways
- Off ramps
- Residential streets
- Parking lots

DIMENSIONS



Effective Projected Area (EPA)
The EPA for the ATB2 is 0.78 sq. ft.,
Approx. Wt. = 21 lbs. (9.53 kg)

STANDARDS

DesignLights Consortium® (DLC) Premium qualified product. Not all versions of this product may be DLC Premium qualified. Please check the DLC Qualified Products List at www.designlights.org/QPL to confirm which versions are qualified.

Color temperatures of $\leq 3000\text{K}$ must be specified for International Dark-Sky Association certification.

Rated for -40°C to 40°C ambient.

CSA Certified to U.S. and Canadian standards
Complies with ANSI: C136.2, C136.10, C136.14, C136.31, C136.15, C136.37

BUY AMERICAN ACT — Product with the BAA option is assembled in the USA and meets the Buy America(n) government procurement requirements under FAR, DFARS and DOT regulations. Please refer to www.acuitybrands.com/buy-american for additional information.

Note: Specifications subject to change without notice.

Autobahn Series – AEL_0109_ATB2

Features:

OPTICAL

The Autobahn's new molded silicone optics provide exceptional performance. Silicone optics are superior to other polymeric materials in the areas of; optical efficiency, thermal performance, and reduction in dirt accumulation, all of which can lead to long term lumen degradation and a shift in optical distribution. Also, because silicone allows for the molding of fine details as well as thick sections, it produces the most crisp, clean and well-defined lighting distributions available. Silicone optics paired with modern LED's allow the Autobahn to take full advantage of both technologies.

Same Light: Performance is comparable to 400-1000W HPS roadway luminaires.

White Light: Correlated color temperature - 4000K, or optional 2700K, 3000K or 5000K, all 70 CRI minimum.

Unique IP66 rated LED light engines provided 0% uplight and restrict backlight to within sidewalk depth, providing optimal application coverage and optimal pole spacing.

Available in Type II, III, IIIL, IV, & V roadway distributions.

ELECTRICAL

Expected Life: LED light engines are rated $>100,000$ hours at 25°C , L70. Electronic driver has an expected life of 100,000 hours at a 25°C ambient.

Lower Energy: Saves an average of 40-60% over comparable HPS platforms.

Robust Surge Protection: Two different surge protection options provide a minimum of ANSI C136.2 10kV/5kA protection. 20kV/10kA protection is also available.

Luminaire ships with a 0-10v dimmable driver. Luminaire is continuous and step dimming capable via AO option or controls installed on P7 photocontrol receptacle option.

MECHANICAL

Easy to Maintain: Includes standard AEL lineman-friendly features such as tool-less entry, 3 station terminal block and quick disconnects. Bubble level located inside the electrical compartment for easy leveling at installation.

Rugged die-cast aluminum housing is polyester powder-coated for durability and corrosion resistance. Rigorous five-stage pre-treating and painting process yields a finish that achieves a scribe creepage rating of 7 (per ASTM D1654) after over 5000 hours exposure to salt fog chamber (operated per ASTM B117).

Four-bolt mast arm mount is adjustable for arms from 1-1/4" to 2" (1-5/8" to 2-3/8" O.D.) diameter and provides a 3G vibration rating per ANSI C136.31.

Wildlife shield is cast into the housing (not a separate piece).

CONTROLS

NEMA 3 Pin photocontrol receptacle is standard, with the Acuity designed ANSI 7 Pin receptacle optionally available.

Premium solid state locking sale photocontrol - PCSS (10 year rated life). Extreme long life sold state locking style photocontrol - PCLL (20 year rated life).

Optional onboard Adjustable Output module allows the light output and input wattage to be modified to meet site specific requirements, and can also allow a single fixture to be flexibly applied in many different applications.



Autobahn Series ATB2

Roadway Lighting

ORDERING INFORMATION

Series	LED Performance Package		Voltage	Optics
ATB2 Autobahn LED Roadway	P601 26,192 lumens nominal	P901 30,398 lumens nominal	MVOLT Multi-volt, 120V - 277V	R2 Roadway Type II
	P602 29,188 lumens nominal	P902 36,273 lumens nominal	347 347V	R3 Roadway Type III
	P603 33,062 lumens nominal	P903 41,215 lumens nominal	480 480V	R3L Roadway Type III Long
	P604 36,305 lumens nominal	P904 45,247 lumens nominal	XVOLT 277V-480V ³	R4 Roadway Type IV ²
	P605 39,786 lumens nominal	P905 50,476 lumens nominal		R5 Roadway Type V

Options

Color Temperature (CCT)

(Blank)	4000K CCT, 70 CRI Min.
27K	2700K CCT, 70 CRI Min.
3K	3000K CCT, 70 CRI Min.
5K	5000K CCT, 70 CRI Min.

Paint

(Blank)	Gray (Standard)
BK	Black
BZ	Bronze
DDB	Dark Bronze
GI	Graphite
WH	White
GN	Green

Surge Protection

(Blank)	Standard 20kV/10kA SPD
MP	MOV Pack 10kV/5kA

Terminal Block

(Blank)	Terminal Block (Standard)
T2	Wired to L1 & L2 Positions

Misc.

BL	External Bubble Level
HSS	House-Side Shield
NL	Nema Label
XL	Not CSA Certified
HK	Hingekeepers
BAA	Buy America(n) Act Compliant
UMR-XX	8" Horizontal Arm for Round Pole, Painted to match Fixture
UMS-XX	8" Horizontal Arm for Square Pole, Painted to match Fixture
UMR-GALV	8" Horizontal Arm for Round Pole, Galvanized
UMS-GALV	8" Horizontal Arm for Square Pole, Galvanized

Controls

(Blank)	3 Pin NEMA Photocontrol Receptacle (Standard)
P7	7 Pin Photocontrol Receptacle (Dimmable Driver Included)
NR	No Photocontrol Receptacle
AO	Field Adjustable Output
PCSS	Solid State Lighting Photocontrol (120-277V) ¹
PCLL	Solid State Long Life Photocontrol
SH	Shorting Cap

Packaging

(Blank)	Single Unit (Standard)
JP	Job Pack (42/Pallet)

Accessories:

External House Side Shields	
ATB2P60XR2R3LR5HSS	for use with P601 - P605, R2, R3L or R5 distribution
ATB2P60XR3HSS	for use with P601 - P605, R3 distribution
ATB2P60XR4HSS	for use with P601 - P605, R4 distribution
ATB2P90XR2R3LR5HSS	for use with P901 - P905, R2, R3L or R5 distribution
ATB2P90XR3HSS	for use with P901 - P905, R3 distribution
Light Trespass Shield	
ATB2ULTS	ATB2 Universal Light Trespass Shield
ATB Decorative Arms	
ATB2DECOS XX	ATB Decorative Arm for Square Pole Painted to match fixture
ATB2DECOR XX	ATB Decorative Arm for Round Pole Painted to match fixture

Notes

1. Not available in 347 or 480V.
2. Not available with P901 - P905 performance packages
3. XVOLT option only available with P601 and P602 performance packages



AEL Headquarters, One Lithonia Way, Conyers Georgia 30012
 www.americanelectricalighting.com Phone: 1-866-HOLOPHANE
 Email: TechSupportINF@AcuityBrands.com
 © 2014-2023 Acuity Brands Lighting, Inc. All Rights Reserved. ATB2 Rev. 05/11/23

Warranty Five-year limited warranty. This is the only warranty provided and no other statements in this specification sheet create any warranty of any kind. All other express and implied warranties are disclaimed. Complete warranty terms located at:

www.acuitybrands.com/support/warranty/terms-and-conditions

Note: Actual performance may differ as a result of end-user environment and application. All values are design or typical values, measured under laboratory conditions at 25 °C. Specifications subject to change without notice.

Please contact your sales representative for the latest product information.

Autobahn Series ATB2

Roadway Lighting

PERFORMANCE PACKAGE

ATB2	Distribution	Input Watts	2700K		3000K		4000/5000K	
			Lumens	LPW	Lumens	LPW	Lumens	LPW
P601	R2	175	22,828	131	24,280	139	27,200	156
	R3		22,689	130	25,200	144	27,080	155
	R3L		21,844	125	22,513	129	23,761	136
	R4		23,376	135	23,760	136	24,770	143
	R5		23,291	135	23,810	138	24,680	143
P602	R2	196	24,983	126	26,610	135	30,060	152
	R3		24,831	126	27,770	142	30,020	153
	R3L		24,270	124	24,770	126	26,400	135
	R4		25,697	135	26,280	137	27,230	143
	R5		25,489	135	26,270	138	27,010	144
P603	R2	233	28,442	121	30,430	131	34,020	145
	R3		28,269	121	32,760	141	33,990	145
	R3L		27,087	116	28,050	120	29,464	126
	R4		29,359	124	29,800	126	31,110	132
	R5		29,019	125	29,850	127	30,750	132
P604	R2	263	31,060	118	33,130	126	37,050	140
	R3		30,871	118	35,670	136	36,950	141
	R3L		29,369	112	30,541	116	31,946	121
	R4		32,001	125	32,450	126	33,910	132
	R5		31,690	126	32,790	127	33,580	133
P605	R2	295	33,992	115	36,960	125	39,750	135
	R3		33,785	115	38,670	131	39,910	136
	R3L		31,867	108	33,149	112	34,663	118
	R4		34,728	120	35,430	122	36,800	127
	R5		34,681	121	35,130	122	36,750	128
P901	R2	199	27,147	137	28,470	143	30,430	154
	R3		26,982	135	29,040	146	31,350	157
	R3L		26,100	131	26,603	134	28,390	143
	R5		27,698	141	29,020	146	29,350	149
P902	R2	245	32,512	133	35,070	144	38,090	156
	R3		32,314	132	35,600	145	38,970	159
	R3L		31,000	127	31,344	128	33,720	138
	R5		33,171	137	33,740	138	35,150	145
P903	R2	282	37,007	131	39,380	140	42,990	152
	R3		36,782	130	39,540	140	43,580	154
	R3L		35,238	125	35,154	125	38,330	136
	R5		37,758	134	37,860	134	40,010	142
P904	R2	319	40,420	127	43,410	137	47,220	148
	R3		40,175	126	43,600	137	48,170	151
	R3L		38,327	120	38,078	119	41,690	131
	R5		41,240	132	41,420	132	43,700	140
P905	R2	369	44,573	121	48,390	132	52,380	142
	R3		44,303	120	48,560	132	53,940	146
	R3L		42,886	116	42,455	115	46,649	126
	R5		45,477	128	45,390	127	48,190	136

Note: Individual fixture performance may vary. Specifications subject to change without notice.

ATB2 LLD Multiplier	15C	20C	25C	30C	35C	40C
	1.02	1.01	1.00	0.99	0.98	0.97

To calculate the LLD for a temperature other than 25°C, multiply the LLD @ 25°C (shown in the performance package table) by the LLD multiplier for the selected temperature.

Autobahn Series ATB2

Roadway Lighting

PERFORMANCE PACKAGE

LLD @ 25°C

ATB2	R2, R3 Distributions 3000K & 4000K CCT			R2, R3 Distributions 2700K & 5000K CCT*			R3L, R4, & R5 Distributions Any CCT		
	50k Hours	75k Hours	100k Hours	50k Hours	75k Hours	100k Hours	50k Hours	75k Hours	100k Hours
P601	0.96	0.94	0.93	0.92	0.88	0.85	0.92	0.88	0.85
P602	0.96	0.94	0.93	0.92	0.88	0.85	0.92	0.88	0.85
P603	0.96	0.94	0.93	0.91	0.87	0.84	0.91	0.87	0.84
P604	0.96	0.94	0.93	0.91	0.87	0.83	0.91	0.87	0.83
P605	0.96	0.94	0.93	0.90	0.86	0.82	0.90	0.86	0.82
P901	0.96	0.94	0.93	0.91	0.88	0.84	0.91	0.88	0.84
P902	0.96	0.94	0.93	0.91	0.87	0.83	0.91	0.87	0.83
P903	0.96	0.94	0.93	0.90	0.86	0.82	0.90	0.86	0.82
P904	0.96	0.94	0.93	0.90	0.86	0.82	0.90	0.86	0.82
P905	0.96	0.94	0.93	0.89	0.84	0.79	0.89	0.84	0.79

* Also includes any custom (non-catalog) CCT



AEL Headquarters, One Lithonia Way, Conyers Georgia 30012
 www.americanelectriclighting.com Phone: 1-866-HOLOPHANE
 Email: TechSupportINF@AcuityBrands.com
 © 2014-2023 Acuity Brands Lighting, Inc. All Rights Reserved. ATB2 Rev. 05/11/23

Warranty Five-year limited warranty. This is the only warranty provided and no other statements in this specification sheet create any warranty of any kind. All other express and implied warranties are disclaimed. Complete warranty terms located at: www.acuitybrands.com/support/warranty/terms-and-conditions

Note: Actual performance may differ as a result of end-user environment and application. All values are design or typical values, measured under laboratory conditions at 25 °C. Specifications subject to change without notice.

Please contact your sales representative for the latest product information.

Autobahn Series ATB2

Roadway Lighting

B.U.G. Ratings										
ATB2	Distribution	2700K			3000K			4000/5000K		
		B	U	G	B	U	G	B	U	G
P601	R2	3	0	3	3	0	3	3	0	3
	R3	3	0	3	3	0	3	3	0	4
	R3L	3	0	4	3	0	4	3	0	4
	R4	3	0	4	3	0	4	3	0	4
	R5	5	0	3	5	0	3	5	0	3
P602	R2	3	0	3	3	0	3	3	0	3
	R3	3	0	3	3	0	4	3	0	4
	R3L	3	0	4	3	0	4	3	0	4
	R4	3	0	4	3	0	4	3	0	4
	R5	5	0	3	5	0	3	5	0	3
P603	R2	3	0	3	3	0	3	4	0	4
	R3	3	0	4	3	0	4	3	0	4
	R3L	3	0	4	3	0	4	3	0	4
	R4	3	0	5	3	0	5	3	0	5
	R5	5	0	4	5	0	4	5	0	4
P604	R2	3	0	3	4	0	4	4	0	4
	R3	3	0	4	3	0	4	3	0	4
	R3L	3	0	4	3	0	4	3	0	5
	R4	3	0	5	3	0	5	3	0	5
	R5	5	0	4	5	0	4	5	0	4
P605	R2	4	0	4	4	0	4	4	0	4
	R3	3	0	4	3	0	4	3	0	4
	R3L	3	0	5	3	0	5	3	0	5
	R4	3	0	5	3	0	5	4	0	5
	R5	5	0	4	5	0	4	5	0	4
P901	R2	3	0	3	3	0	3	3	0	3
	R3	3	0	4	3	0	4	3	0	4
	R3L	3	0	4	3	0	4	3	0	4
	R5	5	0	3	5	0	4	5	0	4
P902	R2	4	0	4	4	0	4	4	0	4
	R3	3	0	4	3	0	4	3	0	4
	R3L	3	0	5	3	0	5	3	0	5
	R5	5	0	4	5	0	4	5	0	4
P903	R2	4	0	4	4	0	4	4	0	4
	R3	3	0	4	3	0	4	4	0	5
	R3L	4	0	5	4	0	5	4	0	5
	R5	5	0	4	5	0	4	5	0	4
P904	R2	4	0	4	4	0	4	4	0	4
	R3	3	0	4	4	0	5	4	0	5
	R3L	4	0	5	4	0	5	4	0	5
	R5	5	0	4	5	0	4	5	0	4
P905	R2	4	0	4	4	0	4	4	0	5
	R3	4	0	5	4	0	5	4	0	5
	R3L	4	0	5	4	0	5	4	0	5
	R5	5	0	5	5	0	5	5	0	5



AEL Headquarters, One Lithonia Way, Conyers Georgia 30012
 www.americanelectricalighting.com Phone: 1-866-HOLOPHANE
 Email: TechSupportINF@AcuityBrands.com
 © 2014-2023 Acuity Brands Lighting, Inc. All Rights Reserved. ATB2 Rev. 05/11/23

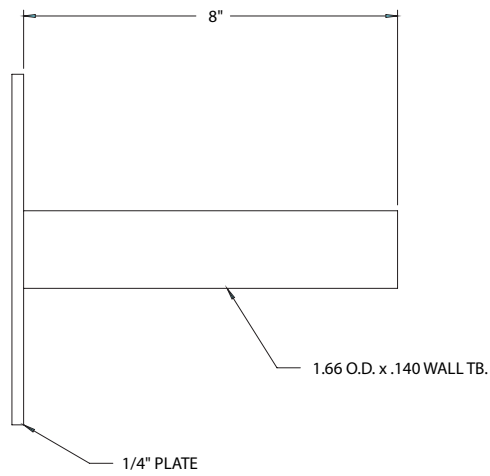
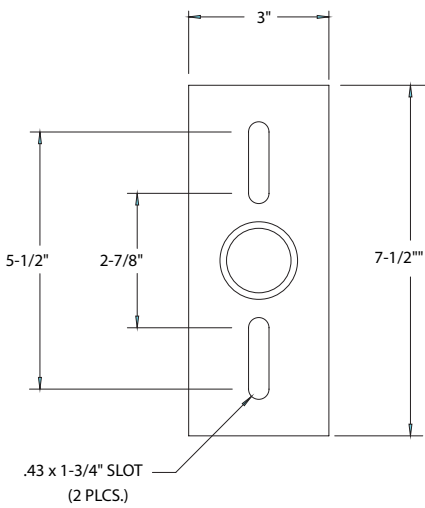
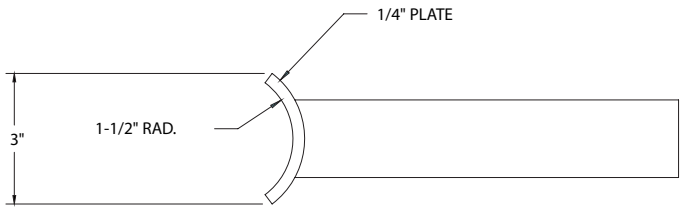
Warranty Five-year limited warranty. This is the only warranty provided and no other statements in this specification sheet create any warranty of any kind. All other express and implied warranties are disclaimed. Complete warranty terms located at: www.acuitybrands.com/support/warranty/terms-and-conditions

Note: Actual performance may differ as a result of end-user environment and application. All values are design or typical values, measured under laboratory conditions at 25 °C. Specifications subject to change without notice.

Please contact your sales representative for the latest product information.

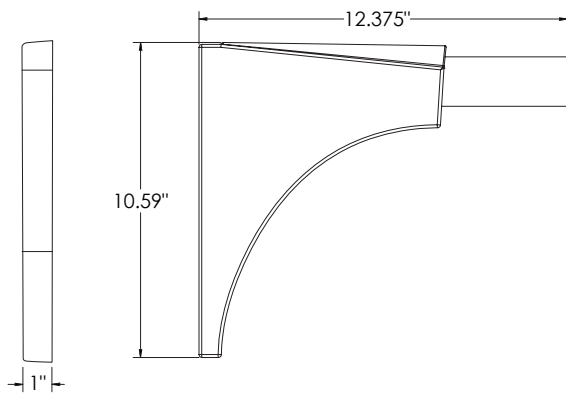
UMR POLE ADAPTOR

RECOMMENDED FOR USE WITH POLES OF 4" DIAMETER OR SMALLER

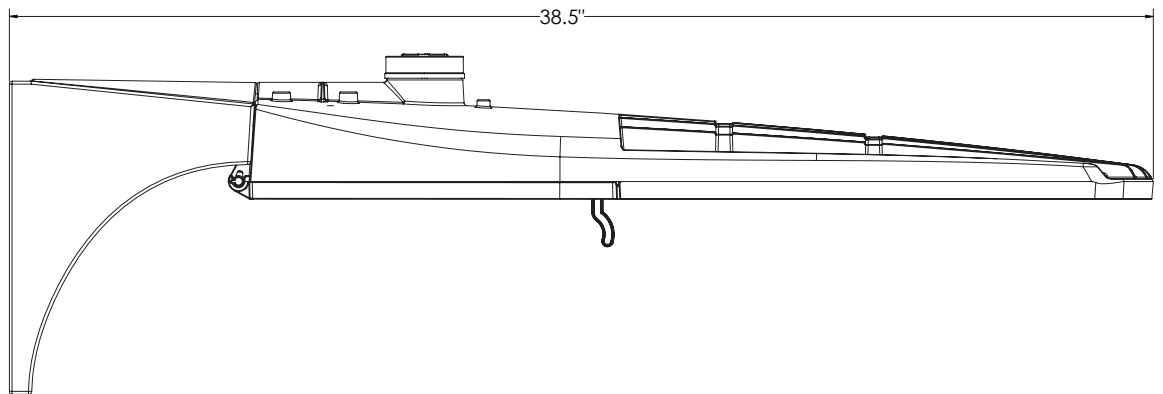
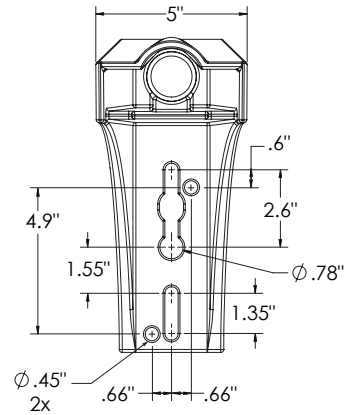


UMS POLE ADAPTOR

Autobahn Series ATB2 Roadway Lighting



Round Pole
Adapter Plate
(Supplied with
ATB2DECOR)



Model	Weight	EPA
ATB2DECOS	6.5 lbs	0.30 ft ²
ATB2DECOR	8.0 lbs	0.30 ft ²
ATB2DECOS with ATB2 Luminaire	27.5 lbs	0.84 ft ²
ATB2DECOR with ATB2 Luminaire	29.0 lbs	0.84 ft ²



AEL Headquarters, One Lithonia Way, Conyers Georgia 30012
 www.americanelectricalighting.com Phone: 1-866-HOLOPHANE
 Email: TechSupportINF@AcuityBrands.com
 © 2014-2023 Acuity Brands Lighting, Inc. All Rights Reserved. ATB2 Rev. 05/11/23

Warranty Five-year limited warranty. This is the only warranty provided and no other statements in this specification sheet create any warranty of any kind. All other express and implied warranties are disclaimed. Complete warranty terms located at: www.acuitybrands.com/support/warranty/terms-and-conditions
Note: Actual performance may differ as a result of end-user environment and application. All values are design or typical values, measured under laboratory conditions at 25 °C. Specifications subject to change without notice.
Please contact your sales representative for the latest product information.