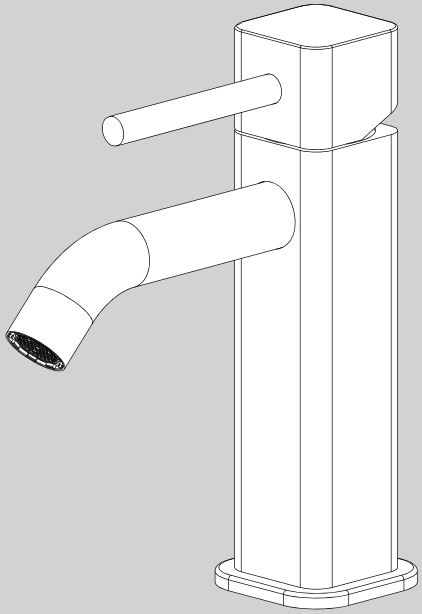


INSTRUCTIONS FOR MODELS

SB-3403



NEED HELP?

For additional assistance or service please contact:

SPEAKMAN®

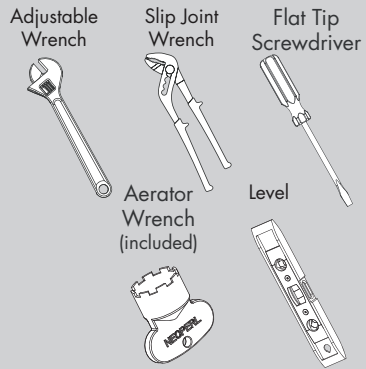
800-537-2107

customerservice@speakman.com

www.speakman.com

92-SB-3403-01

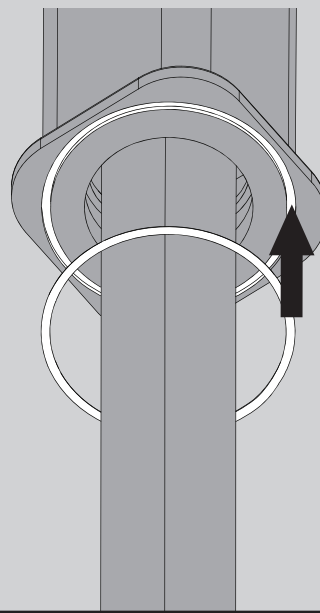
TOOLS AND SUPPLIES



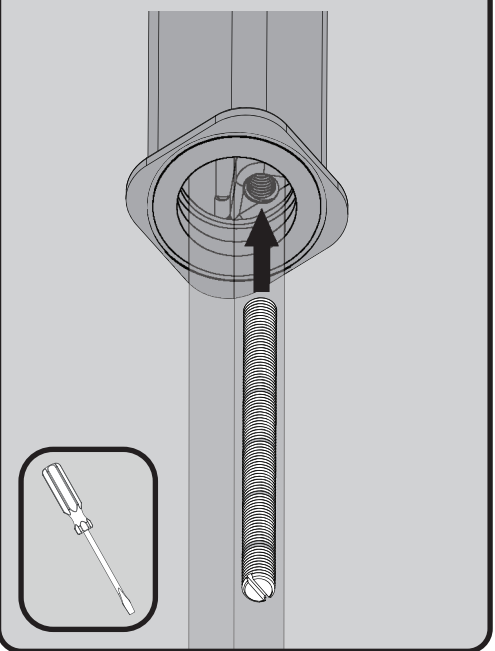
HELPFUL TOOLS & SUPPLIES:



1 Slip the O-Ring through the Hoses and install the O-Ring into the groove on the Base of the Faucet. Ensure it is properly seated.



2 Install Threaded Rod into the Faucet. Secure with a Flat Head Screwdriver.



IMPORTANT

- Do not over-tighten any connections or damage may occur.
- Be sure to read instructions thoroughly before beginning installation.
- This faucet has an operating range of 20-80 psi.

SAFETY TIPS

Cover your drain to prevent loss of parts. Be sure to wear eye protection while cutting pipe.

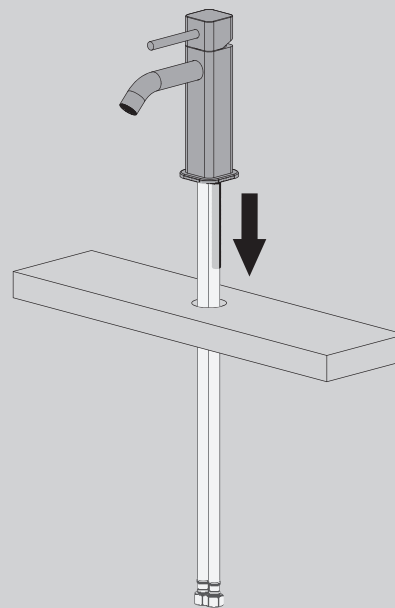
MAINTENANCE

Your new Speakman Product is designed for years of trouble-free performance. Keep it looking new by cleaning it periodically with a soft cloth. The use of harsh chemicals and abrasives on any of the Speakman custom finish products may damage the finish and void the product warranty. Please be sure to only use approved cleaners. Please contact Speakman for any clarification of acceptable cleaners.

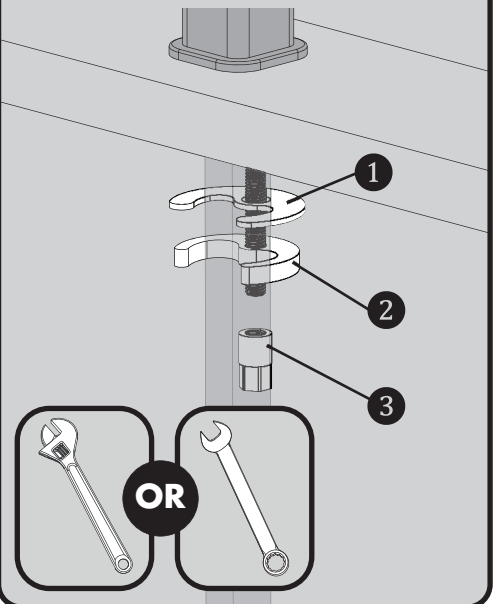
WARRANTY

Warranty information can be found at: www.speakman.com

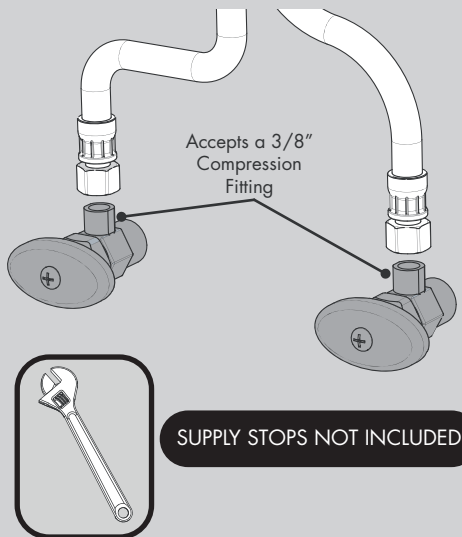
3 Place Hoses, one at a time, through hole in mounting surface. Lower Faucet into position onto the Base.



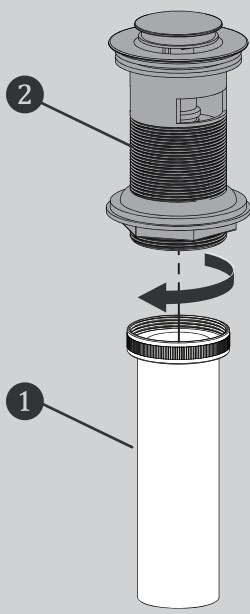
4 From below, Install Rubber Washer (1), Metal Washer (2), and secure with Mounting Nut (3). Align the Base and Faucet to desired position and wrench tighten Mounting Nut.



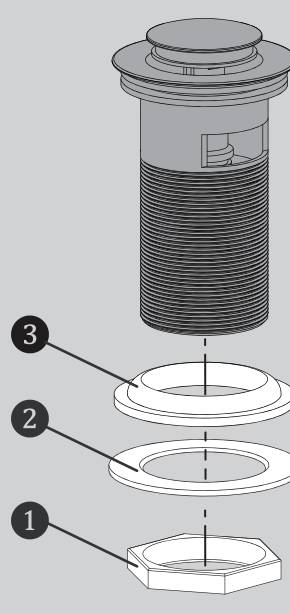
5 Make connections to water supplies. The inlet threads of the faucet are 9/16"-24 UNEF and will accept a 3/8" Compression Fitting. HOT and COLD hoses are clearly marked. Wrench Tighten.



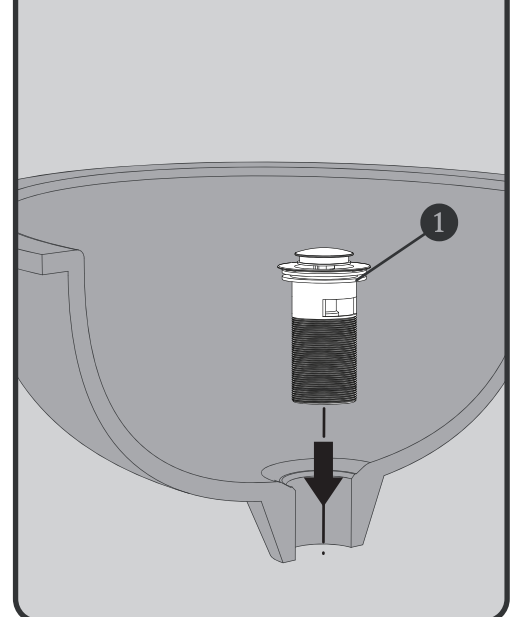
6 Unthread Tailpiece (1) from Drain Assembly (2). Do not lose the Rubber Gasket on the Tailpiece.



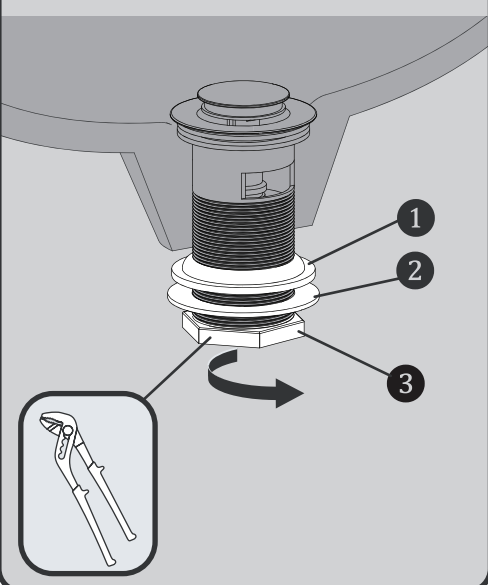
7 Remove Mounting Nut (1), Plastic Washer (2), and Rubber Seal (3).



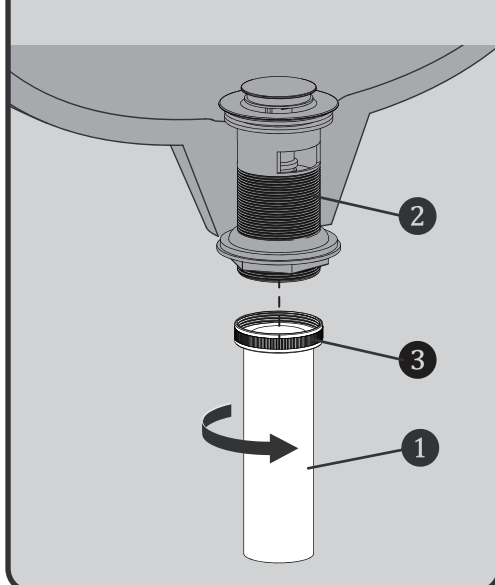
8 From above, insert Drain Assembly into Drain Hole of sink. Use the included Upper Drain Seal (1) or apply Plumber's Putty to the underside of the Upper Flange.



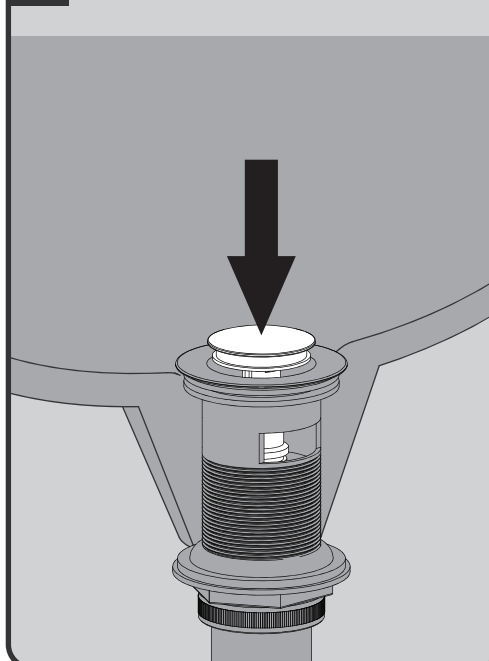
9 From below, install Rubber Seal (1), Plastic Washer (2) and Mounting Nut (3). Tighten with Slip Joint Pliers. Take care to not over-tighten connection.

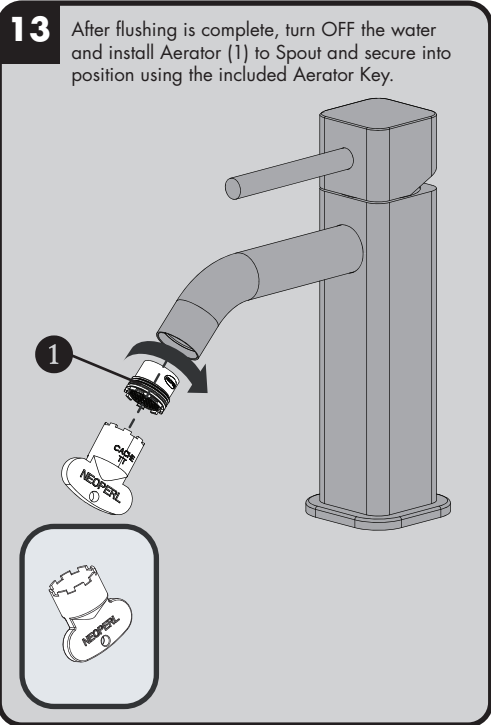
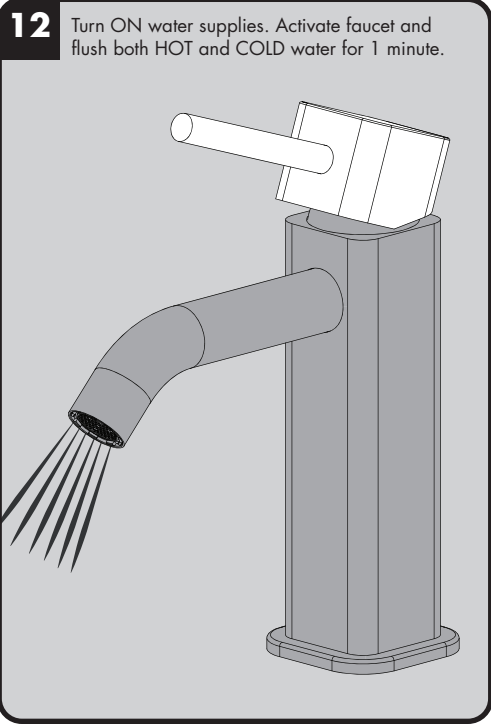


10 Reinstall the Tailpiece (1) to the Drain Assembly (2). Ensure the Rubber Gasket is properly seated in the Tailpiece. Hand tighten the Mounting Nut (3). Take care to not over-tighten connection. Make remaining plumbing connections.



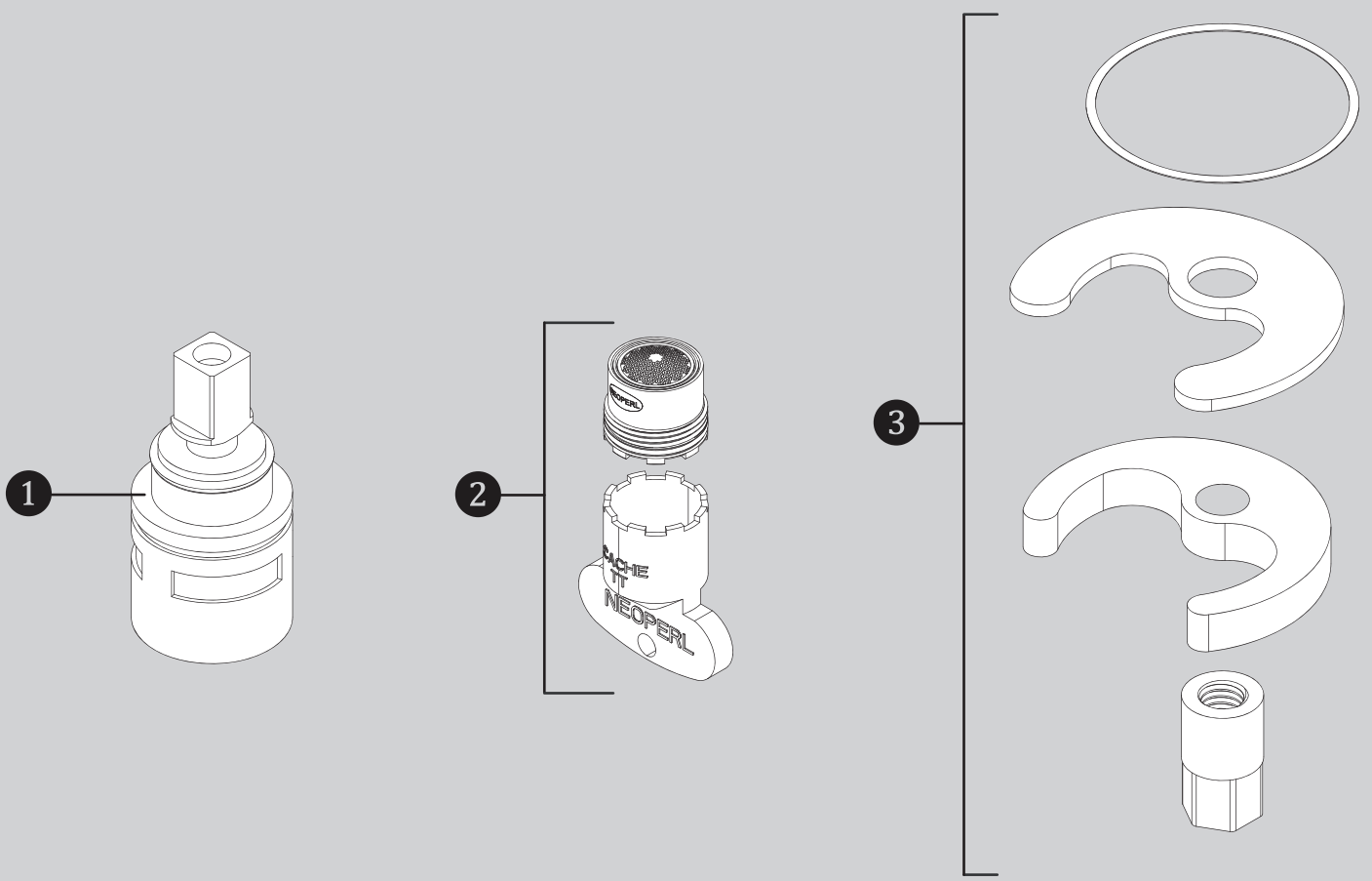
11 Test Drain operation by pressing down on Stopper to open/close Drain.





SB-3403 REPAIR PARTS

SPEAKMAN®



ITEM NO.	PART NO.	DESCRIPTION
1	RPG05-114680	CARTRIDGE
2	RPG05-115718	1.2 GPM AERATOR REPAIR GROUP
3	RPG05-116045	MOUNTING HARDWARE GROUP

SB-3403 ROUGH-IN DIAGRAM

SPEAKMAN®

NOTES:

COMPLIANCE:

ASME A112.18.1/CSA B125.1
NSF/ANSI 61
NSF/ANSI 372
CEC
WATERSENSE

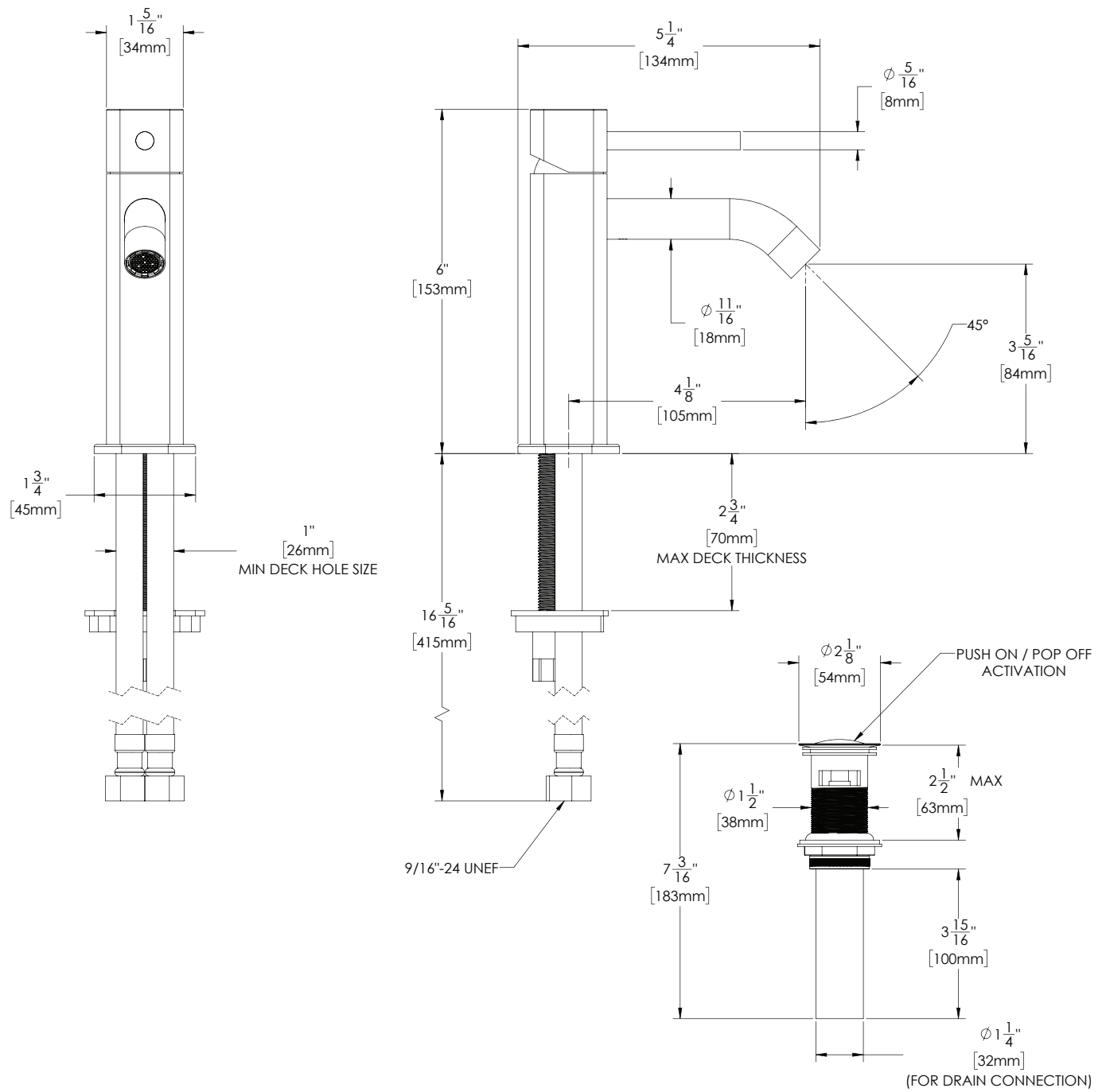
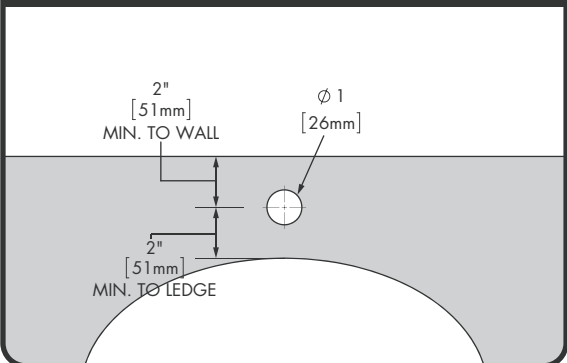
FLOW DATA:

1.2 gpm (4.5 L/min)

CONNECTIONS:

Supply Connection:
9/16"-24 (3/8 compression)
Contractor to supply necessary inlet connections.

LAVATORY ROUGH-IN



DIMENSIONS SUBJECT TO CHANGE WITHOUT NOTICE.