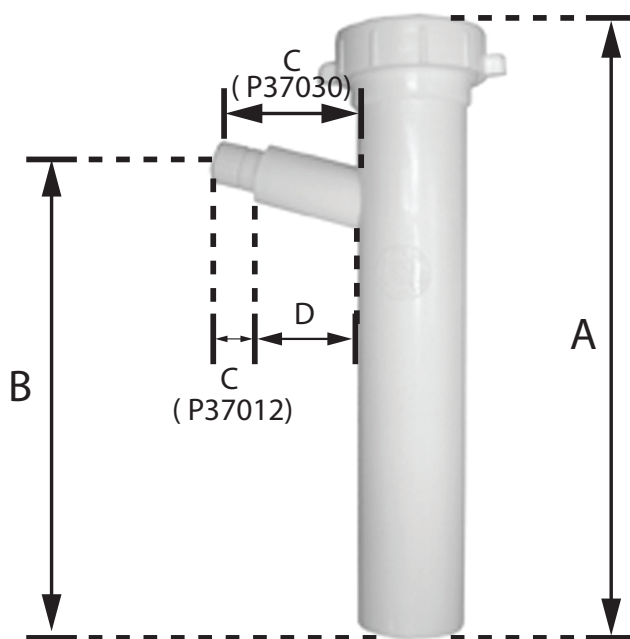


## WHITE PLASTIC SLIP JOINT DISHWASHER TAILPIECE



- Constructed of white plastic for impact resistance
- Designed for connecting drain to dishwasher
- Slip joint connection
- UPC listed
- cUPC listed



Part No.	Size	A	B	C	D
P37012	1.50" x 8.00" x 0.50"	8.12"	6.00"	0.75"	1.50"
P37030	1.50" x 8.00" x 0.75"	8.19"	6.50"	2.31"	-