

This document, including the design, configuration and mechanical features revealed herein are the sole, confidential and proprietary property of TRU Corporation. Reproduction or use thereof, in whole or part, is prohibited without the prior written consent of TRU Corporation.

| REV. | DESCRIPTION    | DATE     | APPROVED |
|------|----------------|----------|----------|
| -    | ORIGINAL ISSUE | 03/09/12 | TRC      |

**ENGINEERING REQUIREMENTS:**

**ELECTRICAL**

IMPEDANCE: 50 OHMS  
 FREQUENCY RANGE: DC TO 7.5 GHz  
 VOLTAGE RATING: 2,700 Vrms  
 PIM < -175 dBc

**MECHANICAL**

INTERFACE: PER IEC 169-4, DIN 47223  
 SOLID OUTER CONTACT

**MATERIAL**

INSULATOR: PTFE  
 FEMALE CONTACT: BERYLLIUM COPPER  
 OUTER CONTACT: BRASS  
 OTHER METAL PARTS: BRASS  
 CAP(NOT SHOWN): STANDARD VINYL (PVC)

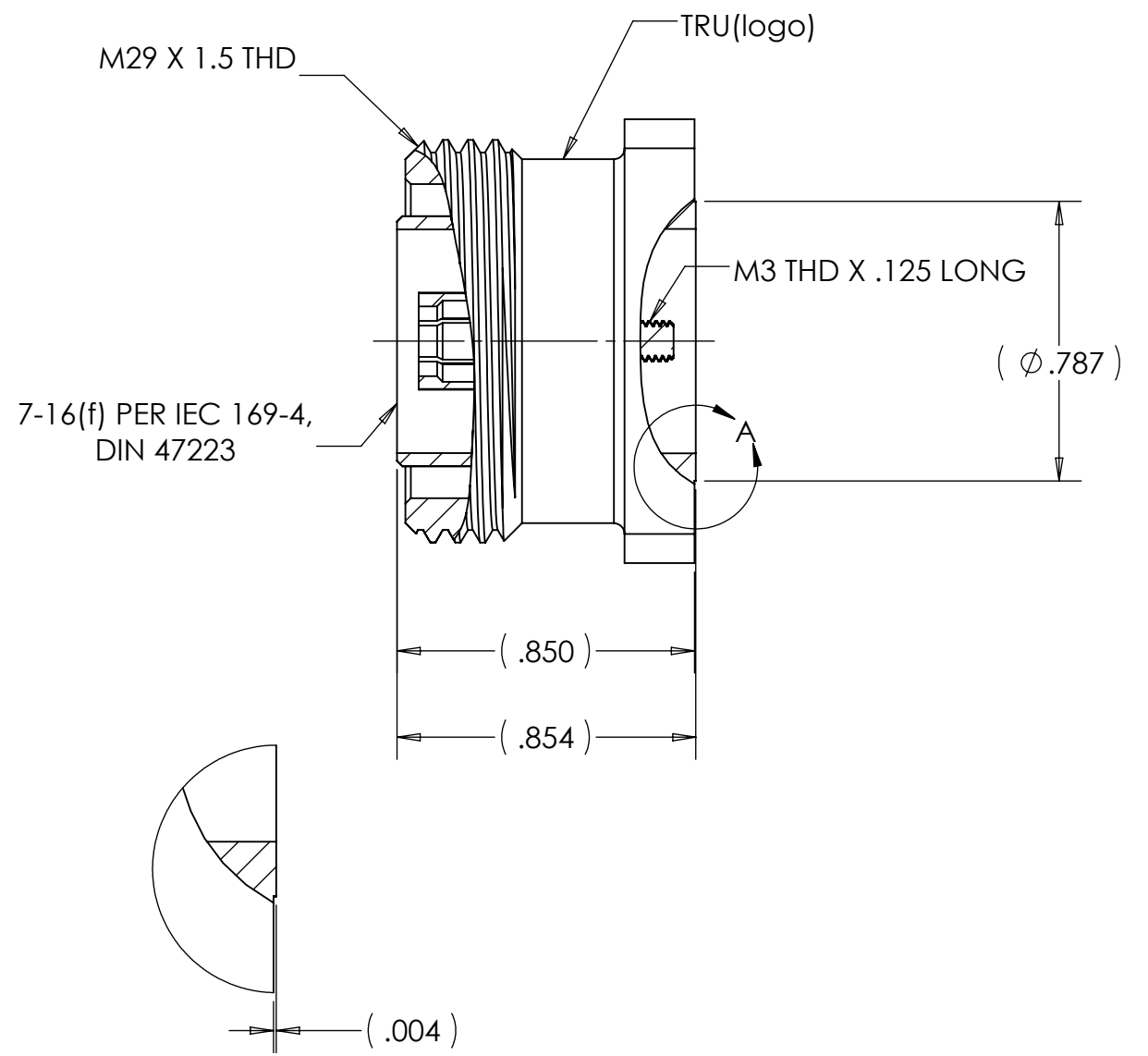
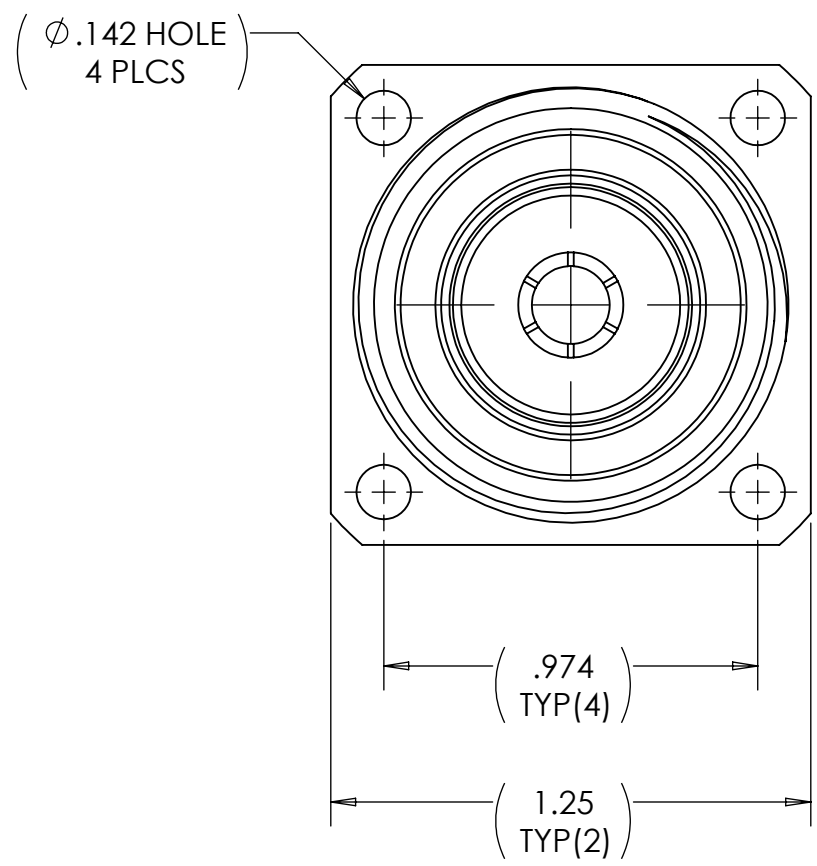
**FINISH**

CONTACT: SILVER PLATING  
 BODY: TRIMETAL PLATING

**ENVIRONMENTAL**

OPERATING TEMPERATURE: -45°C to 120°C  
 RoHS COMPLIANT PER 2002/95/EC


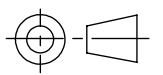
DESCRIPTION: 7-16 (f) RECEPTACLE, PANEL, FRONT MOUNTING



DETAIL A  
 SCALE 4 : 1

**NOTES:**

- UNLESS OTHERWISE SPECIFIED; ALL DIMENSIONS ARE REFERENCE ONLY.
- PRODUCT SUPPLIED WITH BLUE VINYL CAP (NOT SHOWN)

|                       |   |   |                  |   |
|-----------------------|---|---|------------------|---|
| MATERIAL              | DO NOT SCALE DRAWING  | DRAWN<br>TRC  | DATE<br>02/24/12 |  <p><b>TRU Corporation</b><br/>                 245 Lynnfield St,<br/>                 Peabody, MA 01960</p> |
|                       | UNLESS OTHERWISE SPECIFIED:<br>DIMENSIONS ARE IN INCHES   | ENG APPR.<br>TM   | DATE<br>03/07/12 |   |
| COMMENTS:             | TOLERANCES:<br>FRACTIONS: ±1/64<br>.XX : ±.01<br>.XXX: ±.005<br>ANGLES: ±1/2°<br>MACHINED SURFACES:<br>63/√ | MFG APPR.<br>NRM  | DATE<br>03/09/12 | TITLE:<br>CONNECTOR, COAXIAL<br>7-16(f) PANEL RECEPTACLE  |
|                       |   | OTHER APPR.   | DATE             |   |
| surface area: sq inch | weight: lbs   | THIRD ANGLE PROJECTION  |                  | SIZE<br><b>B</b>  |
|                       |   |  |                  | DWG. NO.<br>TRU-7002-0002-01  |
|                       |   | CAGE CODE: 92180  |                  | SCALE: 2:1<br>SHEET 1 OF 1  |