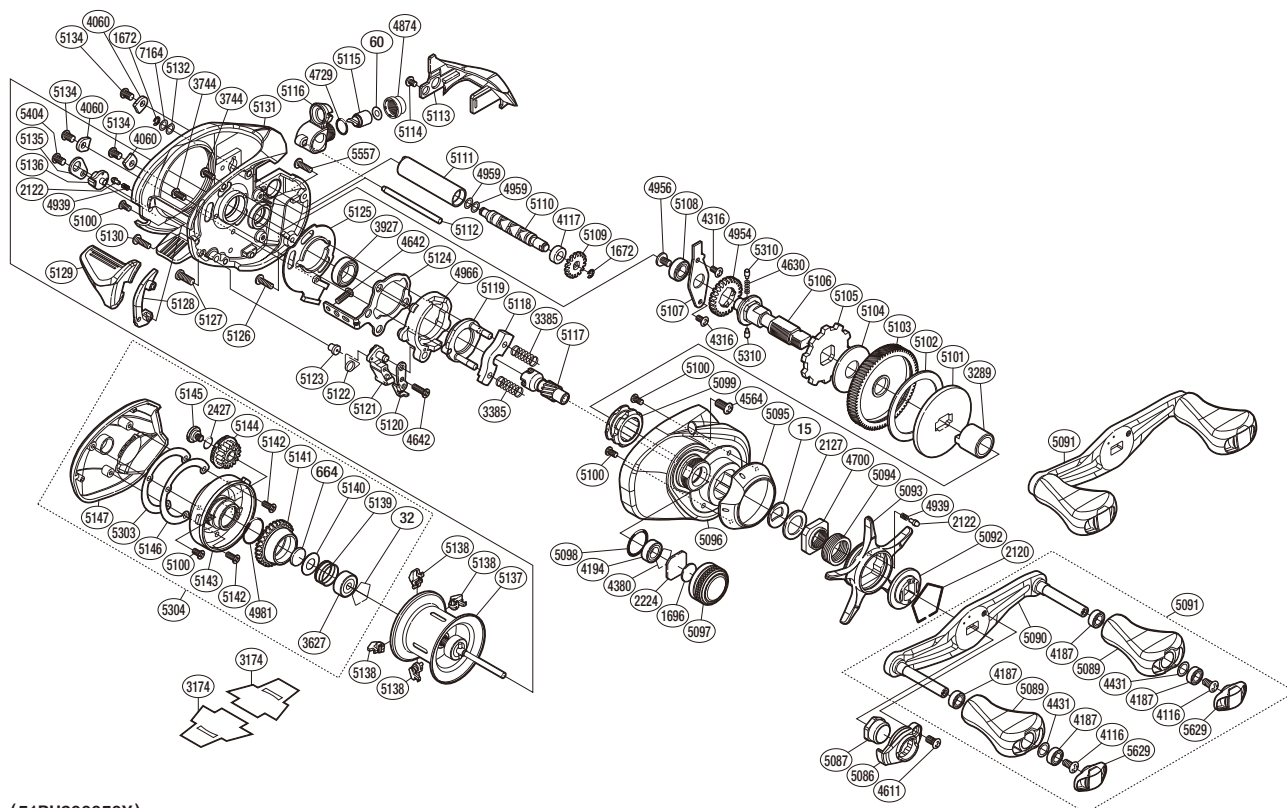


# SHIMANO

## ALDEBARAN

ALD-50



(51RH900050X)

#	Part No.	Description	#	Part No.	Description	#	Part No.	Description
15	10D60	Drag Spring Washer	4981	10LA8	O Ring	5122	104CL	Clutch Pawl Spring
32	10GEW	Bearing Retainer	5086	10Q5S	Handle Retainer	5123	10C44	Clutch Spring Holder
60	10CFW	Spacer	5087	10FFF	Handle Nut	5124	10QLF	Clutch Plate
664	1057S	Spacer B	5089	10327	Handle Knob	5125	10BVU	Clutch Guard
1672	105NC	E Lock	5090	10A6A	Handle Shank Assembly	5126	1055A	Screw
1696	10896	Cast Control Spacer	5091	10BLW	Handle Assembly	5127	103DF	Screw
2120	10KXV	Click Plate Retainer	5092	10J1Z	Star Drag Click Plate	5128	10973	Clutch Bar Guide
2122	10BT0	Click Pin	5093	10AU3	Star Drag	5129	10MWK	Quick-Fire II Clutch Bar
2127	10J1N	Star Drag Spacer	5094	10A78	Star Drag Spring	5130	1055C	Screw
2224	1085F	Spool Tension Spacer	5095	10K08	Clutch Button Attachment	5131	10EY0	One-Piece Frame
2427	108WS	O Ring	5096	10GNX	Right Side Plate	5132	10GN1	Washer
3289	10BN7	Roller Clutch Inner Tube	5097	10KDQ	Cast Control Cap	5134	103H0	Screw
3385	104BJ	Yoke Spring	5098	10LA9	O Ring	5135	10BGQ	Cam Lever Retainer
3627	105C0	Ball Bearing	5099	10F35	Roller Clutch Bearing	5136	10BAU	Side Plate Cam Lever
3744	10LVH	Screw	5100	1055J	Screw	5137	10L3Q	Spool Assembly(With Bearing)
3927	10EX8	Ball Bearing	5101	10D3U	Key Washer	5138	1046L	Brake Shoe
4060	108AT	Side Frame Plate	5102	1071R	Drag Washer	5139	10F1N	Bearing Pressure Spring
4116	103E9	Screw	5103	10CNT	Drive Gear	5140	10GHQ	Washer
4117	10PXY	Handle Knob Bushing	5104	10D32	Drag Washer	5141	10EXT	Brake Pipe Gear
4187	104VX	Ball Bearing	5105	10D72	Anti-Reverse Ratchet	5142	10559	Screw
4194	105BP	Ball Bearing	5106	105CE	Drive Shaft	5143	10FXK	Brake Case
4316	10MT2	Screw	5107	109SZ	Drive Shaft Retainer	5144	10B20	Br Dial
4380	1057X	Retainer	5108	105BV	Ball Bearing	5145	10A6K	Screw
4431	10G8G	Washer	5109	10FNX	Idle Gear	5146	108AZ	Washer
4564	10LZD	Screw	5110	104ZG	Worm Shaft	5147	10D15	Left Side Plate
4611	103EE	Screw	5111	10NFW	Level Wind Guard	5303	108EX	Washer
4630	10JDX	Idle Gear Spring	5112	10QSG	Stabilizer Bar	5304	10RAD	Left Side Plate Assembly
4642	10PVS	Screw	5113	10FWG	Level Wind Protector	5310	10HJG	Idle Gear Pin
4700	10A0B	Star Drag Nut	5114	10MPF	Screw	5404	10DN7	Screw
4729	108WQ	O Ring	5115	10FFU	Line Guide Pawl	5557	10LPJ	Screw
4874	10FJB	Pawl Cap	5116	10NYH	Line Guide	5629	10FMJ	Handle Knob Seal
4939	10988	Click Spring	5117	10CS6	Pinion Gear	7164	10QW8	Washer
4954	10J6W	Idle Gear	5118	1046Z	Yoke			
4956	10PVT	Screw	5119	10F3Z	Clutch Cam Retainer			
4959	10GFJ	Washer	5120	10458	Clutch Pawl B	3174	10PBQ	Reel Seat Spacer (Accessory)
4966	10K0X	Clutch Cam	5121	105ZP	Clutch Pawl A	4692	10LQ0	B-100 Oil (Accessory)

Please note that the number of adjusting washers may not be the same as shown in the exploded views.  
(Adjustment will vary with each individual product.)

(241205)\_008