

# F1807 Brass PEX Elbow

Job Name	_____
Location	_____
Engineer	_____
Contractor	_____
Tag	_____ PO# _____

## Specifications

Manufactured to the highest industry standards, Jones Stephens' F1807 lead-free brass crimp fittings provide precise, leak-free connections. The secure and reliable crimp fitting method provides full, immediate strength upon installation, with 360-degree uniform pressure. Approved for use with PEX piping.

## Applications

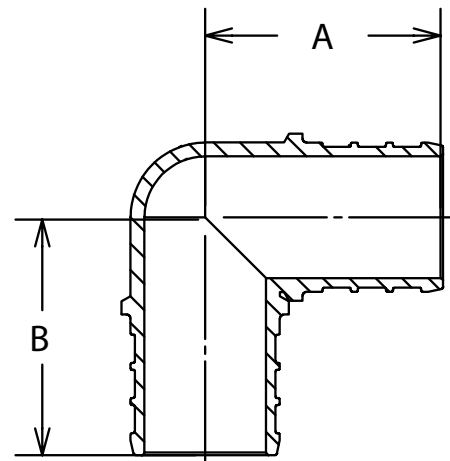
Jones Stephens' F1807 Brass PEX 90° Elbows are approved for use with commercial and residential non-potable water applications.

## Materials

Lead-free brass

## Certifications/Listings/Approvals

- ASTM F1807
- NSF/ANSI/ CAN 372, NSF/ANSI/CAN 61, and NSF/ANSI 14
- CSA B137.5
- IAMPO Listed
- Lead Law Compliant
- Vermont Act 193 Compliant



	ID (Min.)	OD
<b>F1807 Specified Dimensions</b>	<b>in. (mm)</b>	<b>in. (mm)</b>
1/2" End Connection	.35	.471 ± .004
3/4" End Connection	.53	.667 ± .004
1" End Connection	.71	.856 ± .004
1-1/4" End Connection	.87	1.045 ± .004
1-1/2" End Connection	1.02	1.233 ± .006
2" End Connection	1.37	1.602 ± .005

**PRODUCT OFFERING ON PAGE 2**

**Dimensions and Product Offering**

PART NO.	SIZE	ANGLE	A - IN (MM)	A TOLERANCE ±IN(MM)	B - IN (MM)	B TOLERANCE ±IN(MM)	WEIGHT - LBS (G)	WEIGHT TOLERANCE ±LBS (G)
<b>C76008LF</b>	0.50	90°	0.94 (24.00)	0.01 (0.20)	0.94 (24.00)	0.002 (0.05)	0.04 (18.14)	0.02 (10.89)
<b>C76009LF</b>	0.75	90°	1.06 (27.05)	0.01 (0.20)	1.06 (27.05)	0.002 (0.05)	0.08 (36.29)	0.02 (10.89)
<b>C76010LF</b>	1.00	90°	1.37 (34.87)	0.01 (0.20)	1.37 (34.87)	0.002 (0.05)	0.13 (58.97)	0.02 (10.89)
<b>C76091LF</b>	0.75 x 0.50	90°	1.10 (28.00)	0.01 (0.20)	1.02 (26.00)	0.002 (0.05)	0.05 (22.68)	0.02 (10.89)
<b>C76119LF</b>	1.25	90°	1.65 (42.00)	0.04 (1.00)	1.65 (42.00)	0.04 (1.00)	0.26 (117.50)	0.02 (10.89)
<b>C76134LF</b>	1.50	45°	1.75 (44.50)	0.04 (1.00)	1.75 (44.50)	0.04 (1.00)	.036 (162.00)	0.02 (10.89)
<b>C76135LF</b>	1.50	90°	2.01 (51.00)	0.04 (1.00)	2.01 (51.00)	0.04 (1.00)	0.42 (191.00)	0.02 (10.89)
<b>C76154LF</b>	2.00	45°	2.19 (55.50)	0.04 (1.00)	2.19 (55.50)	0.04 (1.00)	0.67 (302.50)	0.02 (10.89)
<b>C76155LF</b>	2.00	90°	2.60 (66.10)	0.02 (0.50)	2.60 (66.10)	0.02 (0.50)	0.89 (401.50)	0.02 (10.89)