

SIDES	BOTTOM
4 Pcs 6-32x5/16 screws Pack In Poly-bag Separately	
4 Pcs 6-32 Nut Pack In Poly-bag Separately	
Material: Steel-0.0625"-G60 Galvanized	

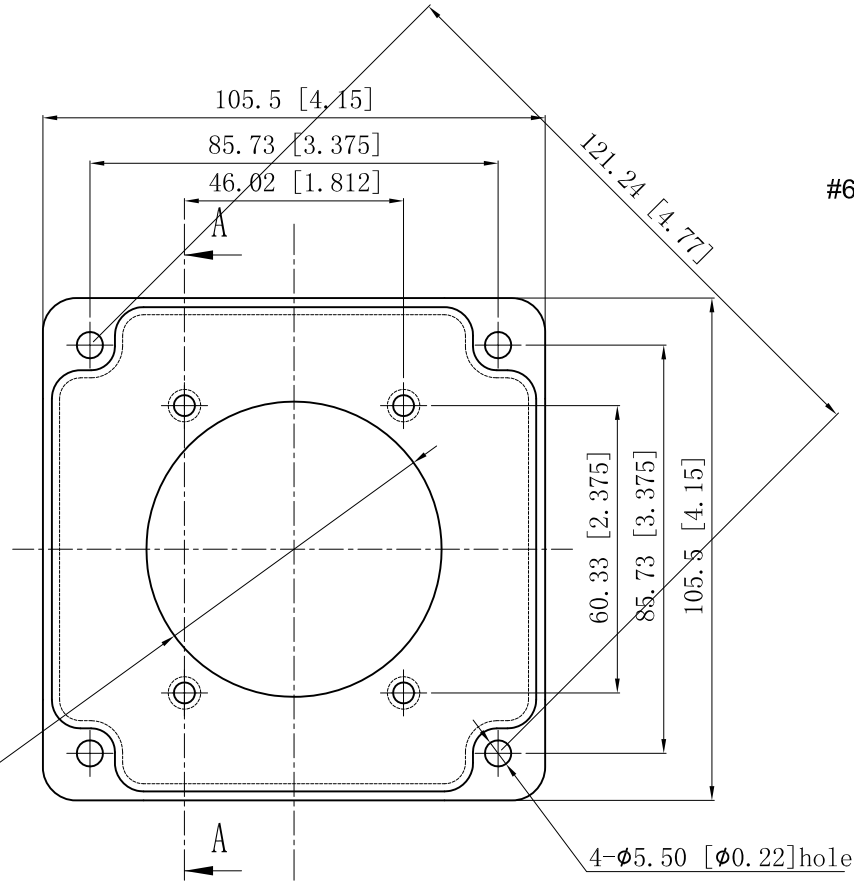
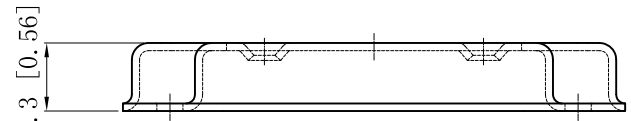


Ø4.4 [0.17]

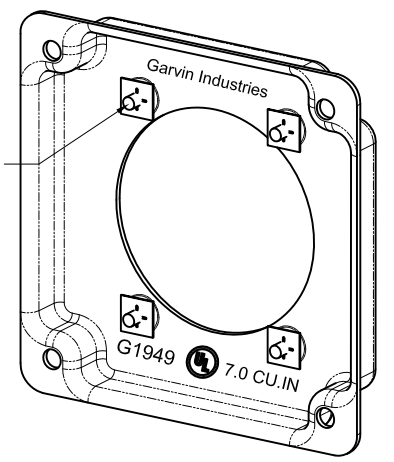
Ø62.0 [Ø2.441] hole

VIEW A

14.3 [0.56]



#6-32 UNC, x4



This data sheet is for reference only .GARVIN INDUSTRIES reserves the right to make changes to the design without prior notice.

DESCRIPTION
TRADE REFERENCE TERMS

STANDARD PACKING
50 PCS

TITLE		
4" SQUARE INDUSTRIAL "GARVIN" COVERS		
SIZE	DWG NO.	REV
A4	G1949	E
DATA SHEET		