

Pole 6"

Pole for Area Lights

Product Description

Poles for NICOR's Aquila line of outdoor area lights.

Construction

- Straight steel square with 6" sides
- General purpose pole for up to 39 foot mounting heights
- Pole shaft is from weldable grade cold rolled, commercial quality carbon steel tubing conforming to ASTM-A500 grade B, 7 gauge
- All welds conform to AWS D1.2 using ER70S-6 electrodes
- Includes removable pole cap

Base Style

- 4-Bolt Steel Plate Base Flange of fabricated hot rolled carbon steel conforming to ASTMA36 or equivalent (36 ksi minimum yield) with 2-piece Base Cover and attaching hardware.
- Base cover of color matching ABS plastic

Handhole

- Reinforced 3"x5" handhole with cover. 1.5' from base.
- Grounding Provision incorporating a tapped 1/2"-13NC hole welded to frame

Anchorage

- (4) L-shaped steel anchor bolts, conformed to AASHTO M314-90 Grade 55 with 10" of threaded end galvanized per ASTM A153
- Galvanized steel hardware pack including:
 - (8) Hex nuts
 - (4) Lock washers
 - (8) Flat washers

Finish

- Fine powder coat finish
- Available in Bronze
- Custom finishes available with cost adder

Mounting and installation

- Use bolt template and anchor bolts for an easier installation

Warranty

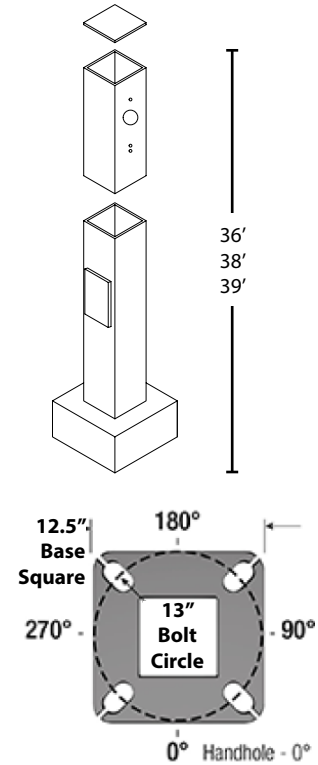
- 5-year limited system warranty standard

Project

Catalog

Type

Date



OPL6
36, 38, 39 foot
Straight Square Steel Pole

Ordering Information

Example: OPL61RD39CBZ

Series	Version	Shape	Height	Mounting Holes	Color
OPL6	1	SQ (Square)	36 (36' height)	Blank (None)	BZ (Bronze)
			38 (38' height)	A (One Mounting Hole)	
			39 (39' height)	C (Two 180° Mounting Holes)	

Specifications and dimensions subject to change without notice. *May incur a cost adder