

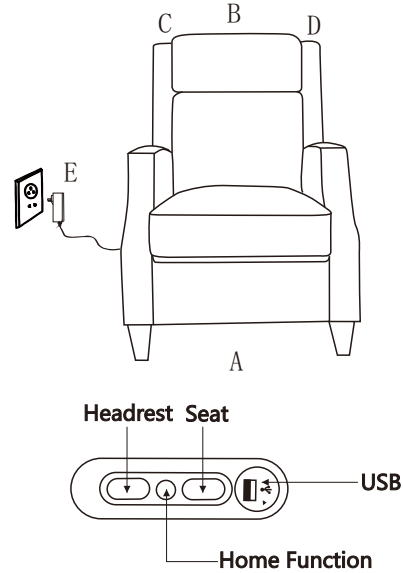
# ASSEMBLY INSTRUCTION

ITEM: RC103-PH-085 Hurley Power Recliner w/Power Headrest  
RC103-PH-095 Hurley Power Recliner w/Power Headrest

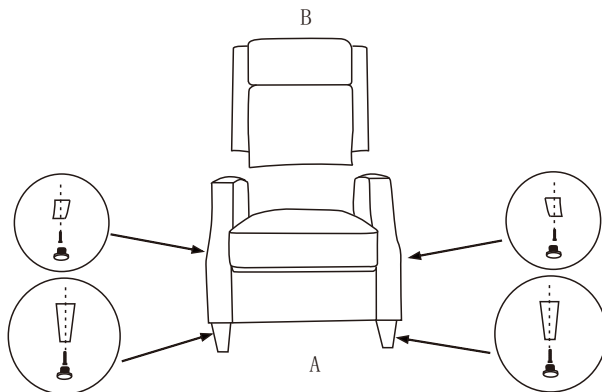
Thank you for purchasing this quality product. Be sure to unpack carefully looking for small parts which may have come loose during shipment.  
Read all instruction and study the drawing carefully before starting the assembly process.

Parts List

NO .	DESCRIP TION	SKETCH	QTY
A	Seat		1PC
B	Back Cushion		1PC
C	Left Wing		1PC
D	Right Wing		1PC
E	Power cord		1PC
F	Bolt		4PC
G	front leg		2PC
H	Back leg		2PC
I	Glide		4PC

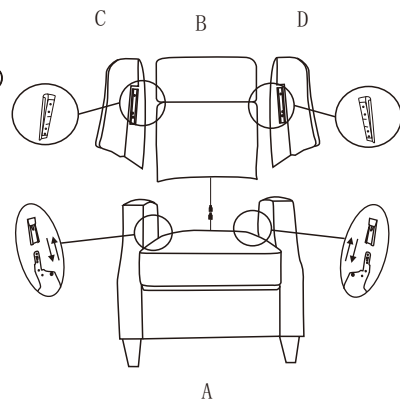


①



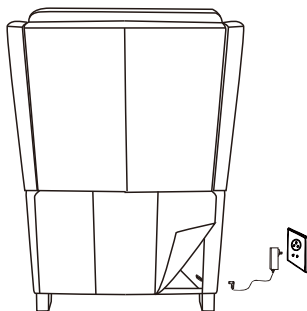
1. Please assemble the legs first before turning over the chair in order to avoid motor broken. Take down the bag from the bottom of the chair, legs are packed inside. Assemble the legs as the picture shows above.

②



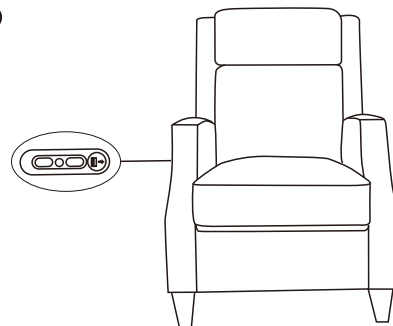
2. Place Bracket into Sleeve and press top of back down firmly to lock your KD back and KD wings in place. Connect the connector of back and seat.

③



3. Connect the connector from motor to the power cord and transformer

④



4. Use the hand controller to enjoy your Hooker Furnishings

**CAUTION**

Do not allow children to play on this mechanism furniture or operate the mechanism. Leg rest folds down on closing so that child could possibly be injured. Always leave in an upright and closed position and keep hands feet clear of mechanism. Only the occupant should operate it.