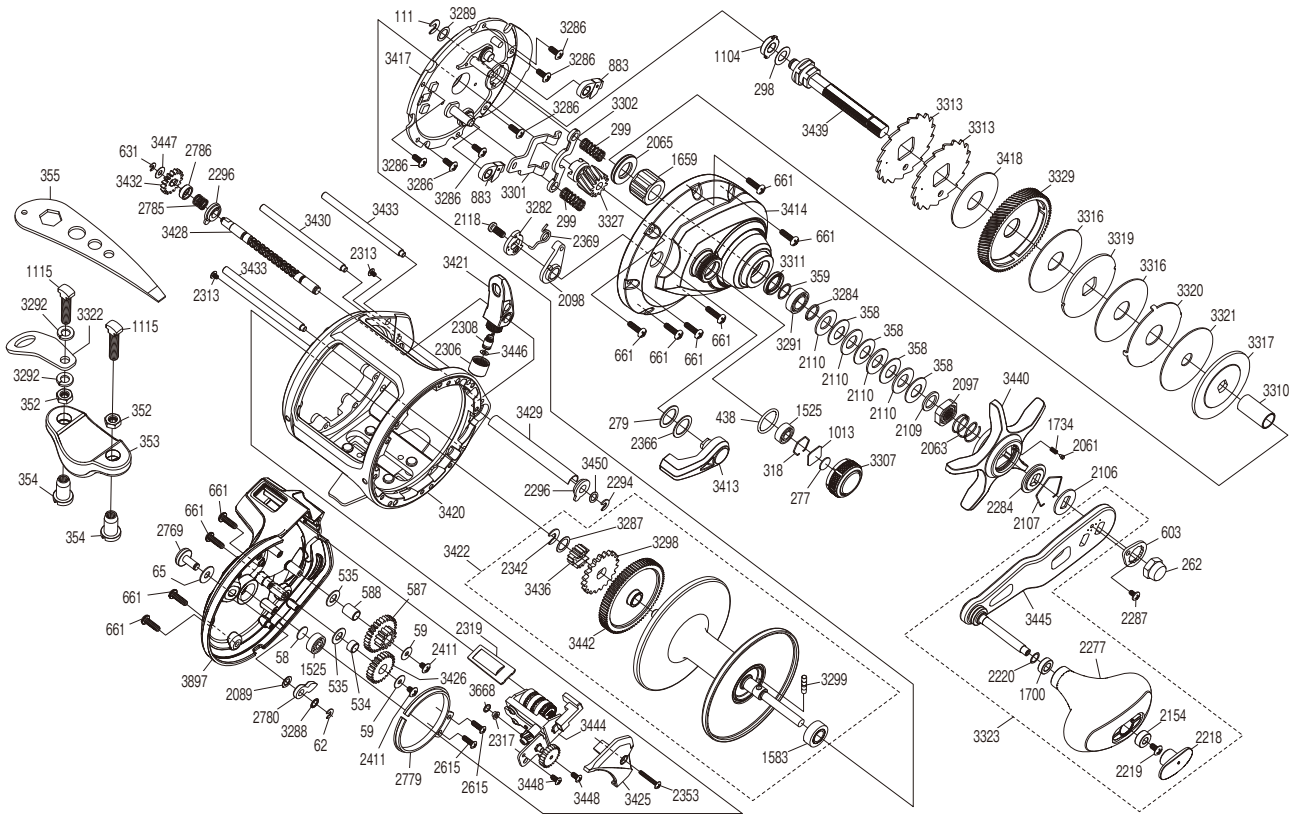


# SHIMANO

## TEKOTA

## TEK800PGLCA



(51RJ302800X)

#	Part No.	Description	#	Part No.	Description	#	Part No.	Description
58	10GEU	Spacer	2218	106K0	Handle Knob Seal	3319	10QX7	Drag Washer
59	104H5	Washer	2219	10LFA	Screw	3320	10QWV	Eared Washer
62	105NK	E Lock	2220	10HEP	Washer	3321	10QXC	Drag Washer
65	104H2	Washer	2277	105ZD	Handle Knob	3323	10E96	Handle Assembly
111	105NJ	E Lock	2284	10J26	Star Drag Click Plate	3327	10QXD	Pinion Gear
262	10FT1	Handle Nut	2287	10LLU	Screw	3329	10QXE	Drive Gear
277	10896	Cast Control Spacer	2294	10KHG	E Lock	3413	101F0	Clutch Lever Unit
279	10JYS	Washer	2296	100GP	Worm Bushing A	3414	101F5	Right Side Plate Assembly
298	10588	Washer	2306	100GB	Pawl Cap	3417	101G0	Right Side Set Plate
299	104BY	Yoke Spring	2308	10BHQ	Line Guide Pawl	3418	10RND	Drag Washer
318	10GGM	Bearing Retainer	2313	10MPD	Screw	3420	10R8H	Frame Assembly
358	10EW3	Drag Spring Washer	2317	10CYA	Worm Gear Bushing A	3421	10R8F	Line Guide Pawl Holder Assembly
359	105PW	Washer	2319	10S8X	Counter Lens Assembly	3422	10R8J	Spool Assembly
438	108WK	O Ring	2342	10KHN	Idle Gear A Retainer	3425	100JA	Left Side Plate Seal
534	10NXJ	Idle Gear B Support	2353	103C5	Screw	3426	10T97	Idle Gear B
535	10G4P	Washer	2366	10JYT	Washer	3428	100JE	Worm Shaft
587	10NXL	Idle Gear D	2369	10JYW	Clutch Spring	3429	10T9C	Level Wind Guard
588	10NXN	Idle Gear D Support	2411	10LFM	Screw	3430	100P9	Stabilizer Bar A
603	10LMC	Handle Nut Plate	2615	10LFN	Screw	3432	10T9A	Idle Gear C
631	105NC	E Lock	2769	10RVC	Click Button	3433	100P7	Stabilizer Bar B
661	10M70	Screw	2779	10GUV	Click Spring	3436	100P4	Idle Gear A
883	10MWC	Anti-Reverse Pawl	2780	10GQP	Click Pawl	3439	10T9D	Drive Shaft
1013	1085F	Spool Tension Spacer	2785	10SXP	Worm Shaft Spring B	3440	10T9F	Star Drag
1104	10G74	Drive Shaft Bushing	2786	10RVK	Worm Shaft Cam	3442	100JB	Counter Gear A
1525	105CA	Ball Bearing	3282	10E91	Clutch Cam Unit	3444	10R8D	Counter Unit Assembly
1583	104Q5	Ball Bearing	3284	104PT	Ball Bearing	3445	10R8K	Handle Shank Assembly
1659	10F37	Roller Clutch Bearing	3286	10T7L	Screw	3446	10CFU	Spacer
1700	104UJ	Bushing B	3287	10GR4	Washer	3447	10BHX	Washer
1734	10BT2	Click Spring	3288	10HER	Washer	3448	10LF4	Screw
2061	10MFC	Click Pin	3289	10G4U	Washer	3450	10R40	Washer
2063	10A70	Star Drag Spring	3291	100SE	Washer	3668	10K9C	Washer
2065	10C69	Roller Clutch Water Proof	3298	10QWN	Click Gear	3897	1400T	Left Side Plate
2089	10GHP	Washer	3299	10MGS	Spool Clutch Pin			
2097	10A3X	Star Drag Nut	3301	10QWR	Yoke Plate	352	105N9	Rod Clamp Nut B
2098	10L2A	Eccentric Cam Bushing	3302	10QWS	Yoke	353	10AR5	Rod Clamp
2106	107QN	Drive Shaft Shield	3307	10QWM	Cast Control Cap	354	1046P	Rod Clamp Nut A
2107	10KXW	Click Plate Retainer	3310	10QX2	Roller Clutch Inner Tube	1115	10EXG	Screw
2109	10J1P	Star Drag Spacer	3311	10SK0	Roller Clutch Water Proof	3292	10QWZ	Washer
2110	109LA	Drag Spring Washer	3313	10EEQ	Anti-Reverse Ratchet	3322	10QXB	Hook Keeper
2118	10MFB	Screw	3316	10QWY	Drag Washer			
2154	10EU0	Bushing A	3317	10SK1	Key Washer	355	10MJ2	Wrench (Accessory)

Please note that the number of adjusting washers may not be the same as shown in the exploded views.  
(Adjustment will vary with each individual product.)

(230906)\_009